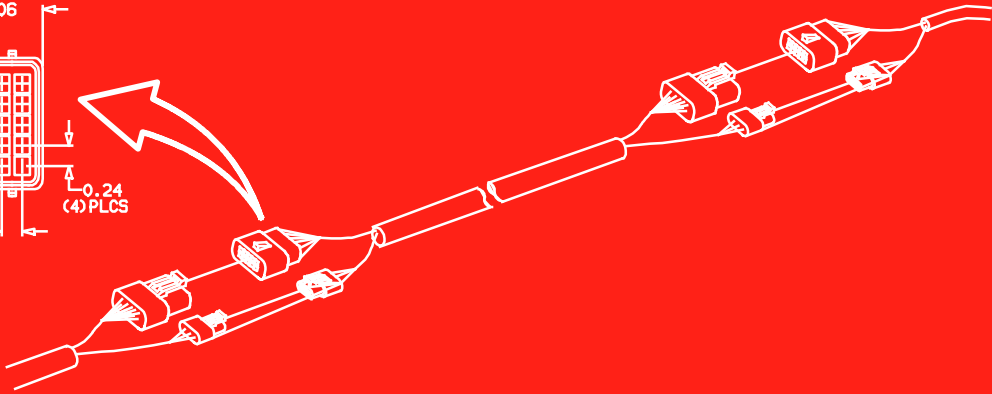
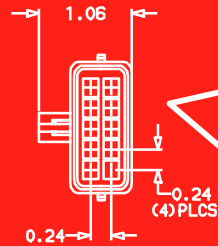
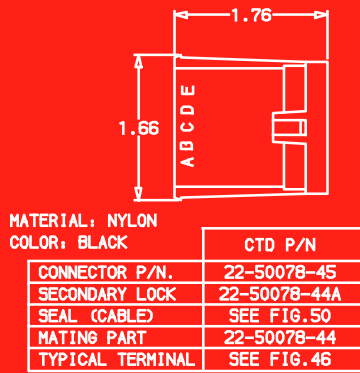




TRANSICOLD
United Technologies

Refrigeration & Air Conditioning



Service Parts List for Common Electrical Connectors and Components



Introduction

This parts list identified service replacement parts for the common unitary electrical connectors and components used in Carrier Transicold refrigeration and air conditioning units.

Ordering Instructions

All orders and inquired for parts must include:

- Part number
- Description of part
- Quantity required

Address all correspondence for parts to the following address:

Carrier Transicold Division
Performance Parts Group
TR-20, Box 4805
Syracuse, NY 13221
Fax: 315-432-3778

For further assistance, contact the Performance Parts Group customer response center Monday through Friday 8 a.m. to 6 p.m. at 800-255-7382. Send email requests to ppg.customerservice@carrier.utc.com.

General Notes

Replacement connectors may be identified by the descriptions or part numbers provided in the figures. Additional components for each connector are referenced by the figure number covering those components. Connectors are listed by base part number and dash number. Dash numbers are listed numerically with higher dash numbers listed in the higher numbered figures.

To search the document for a specific connector and its components by part number, hit Ctrl F on your keyboard and enter the connector part number in the search window. The page on which the connector is located will be displayed.



North America
Carrier Transicold
700 Olympic Drive
Athens, GA 30601 USA
Tel: 1-706-357-7223
Fax: 1-706-355-5435

**Central America
and Mexico**
Ejercito Nacional No. 418
Piso 9, Torre Yumal
Col. Chapultepec Morales
11570 Mexico, D.F.
Tel: (5255) 9126.0300
Fax: (5255) 9126.0373

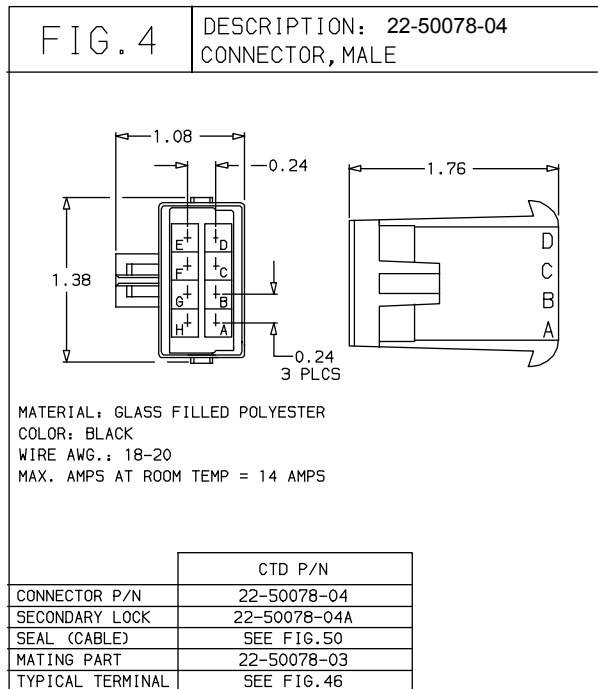
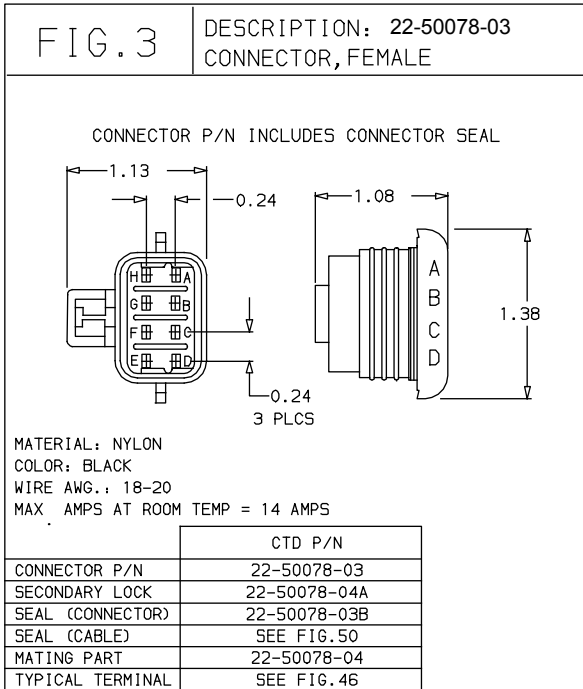
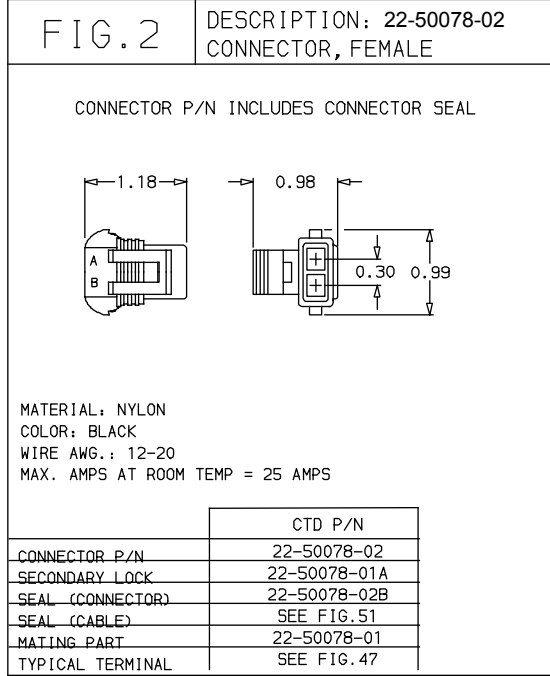
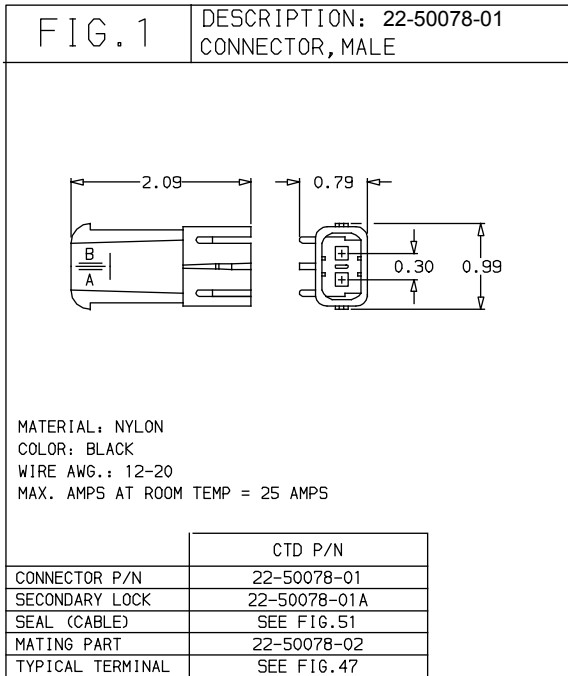


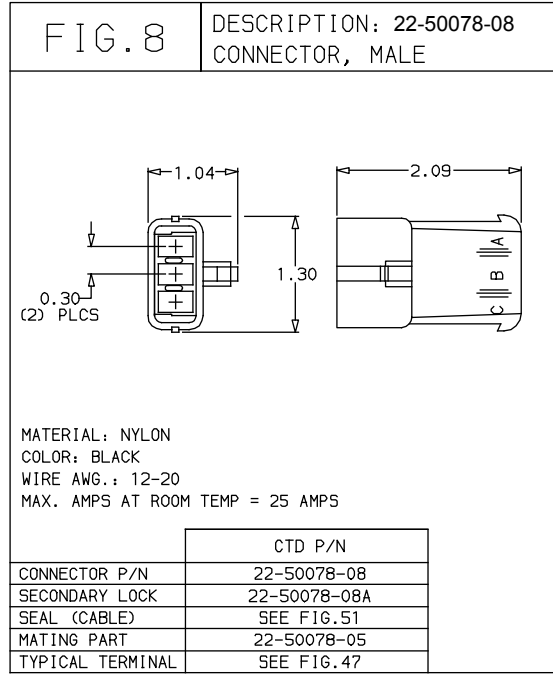
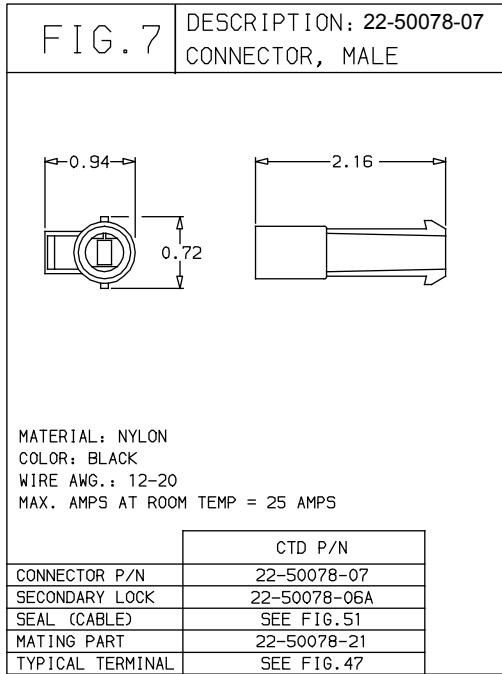
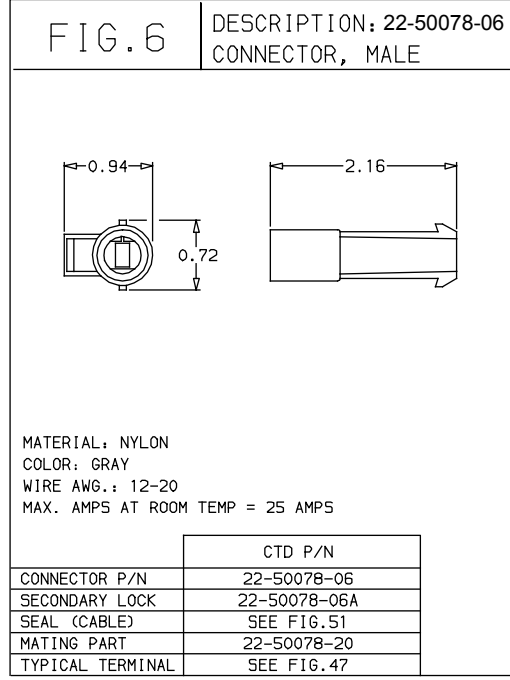
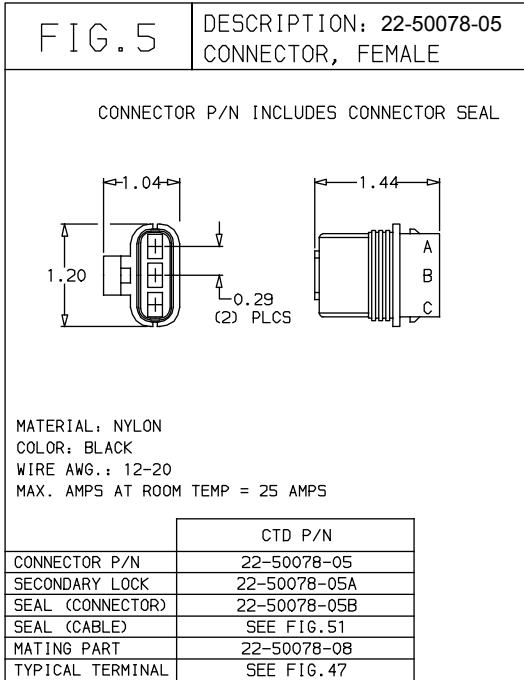
**United
Technologies**

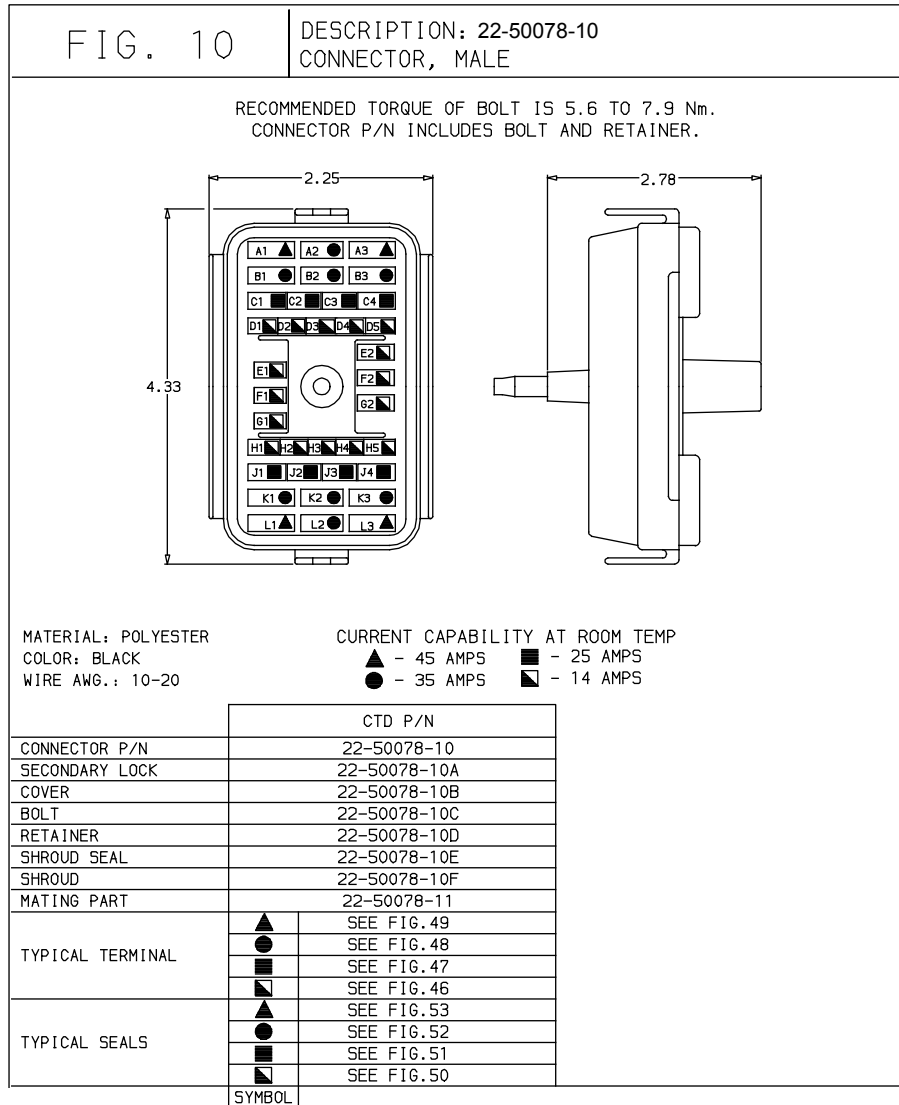
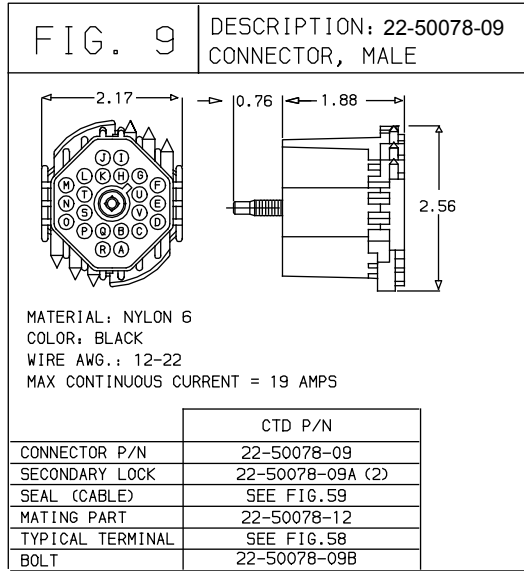
Climate | Controls | Security
Carrier Transicold
Truck/Trailer Products Group
P.O. Box 4805
Syracuse, N.Y. 13221 U.S.A

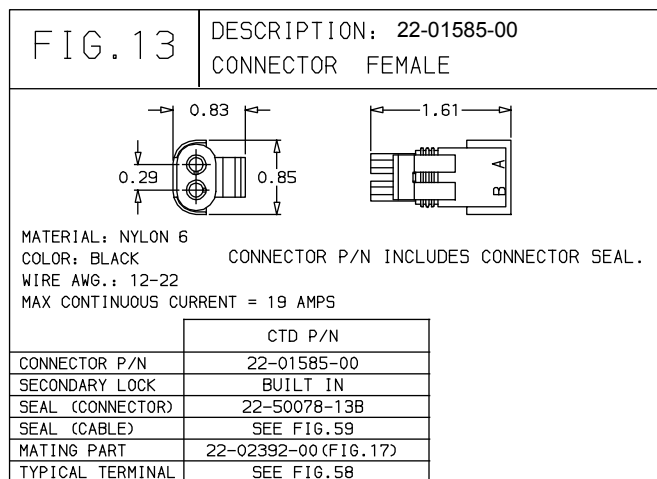
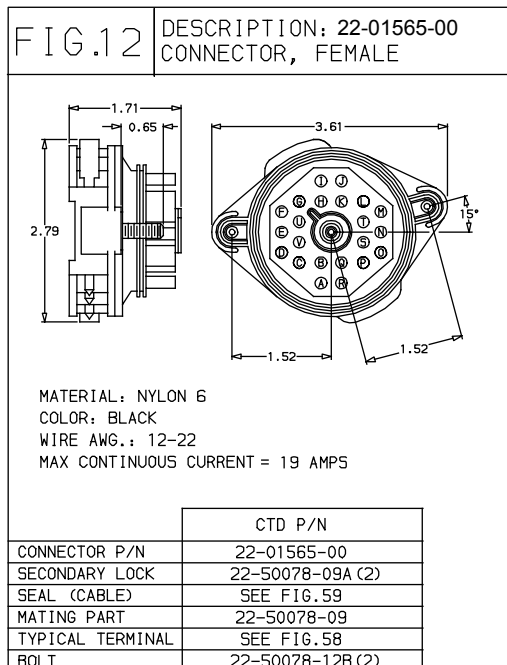
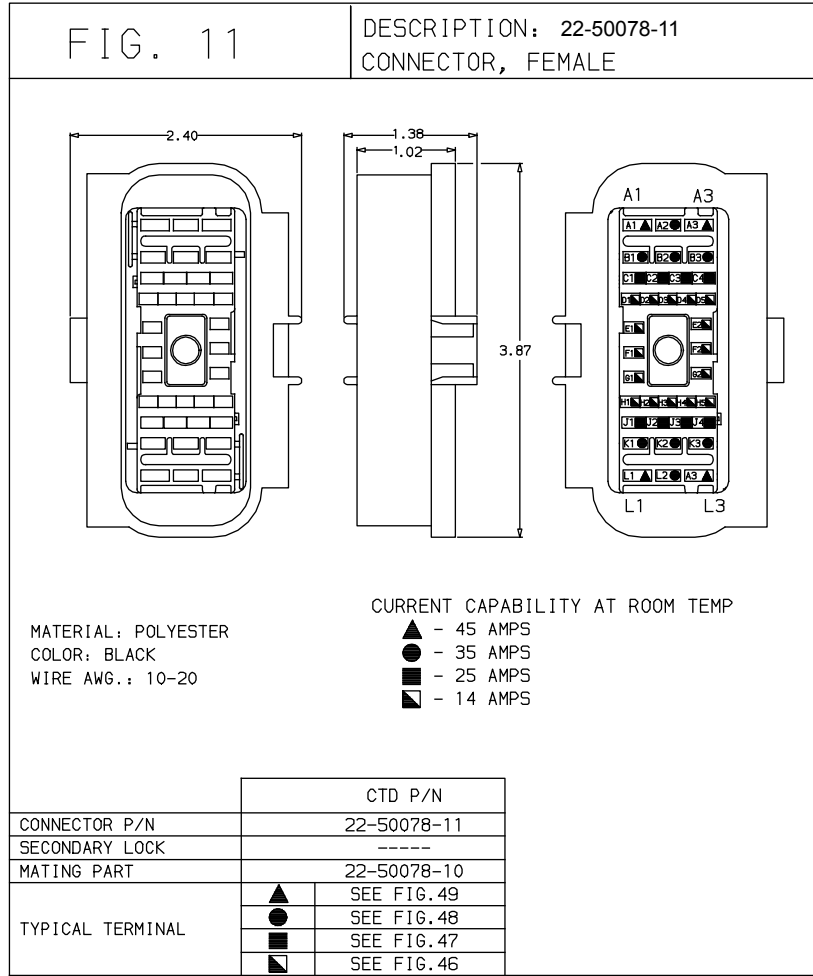
www.carrier.transicold.com

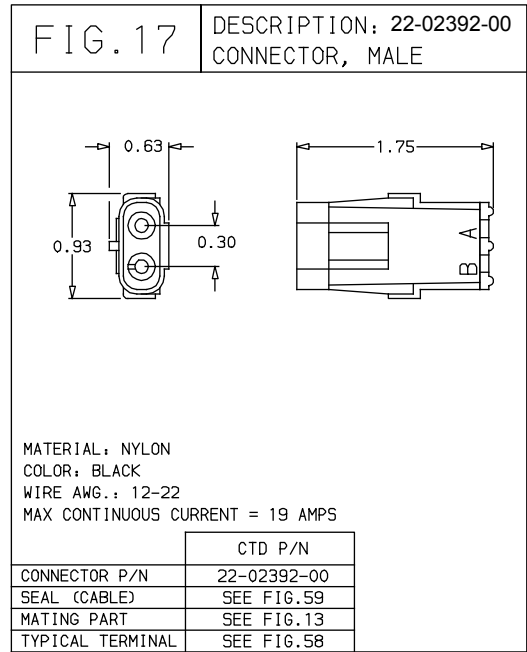
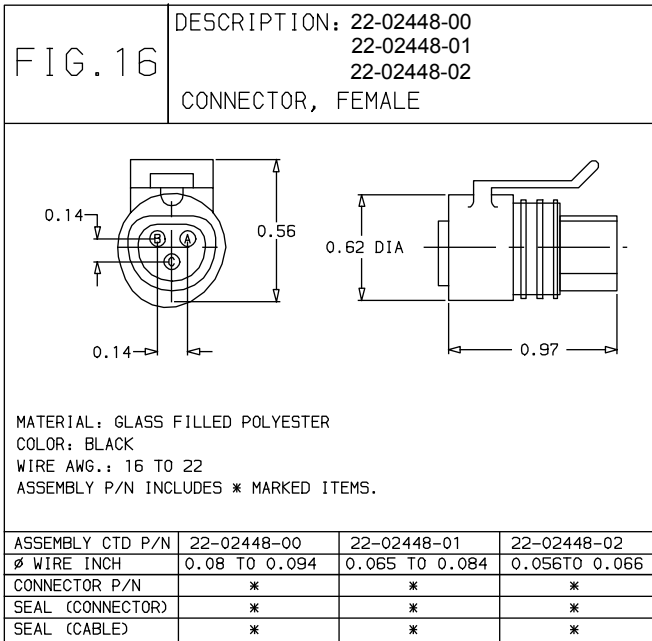
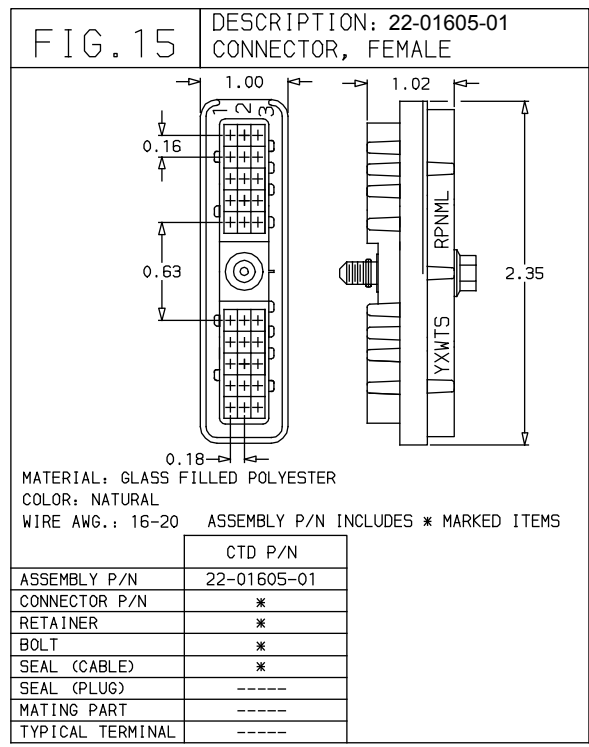
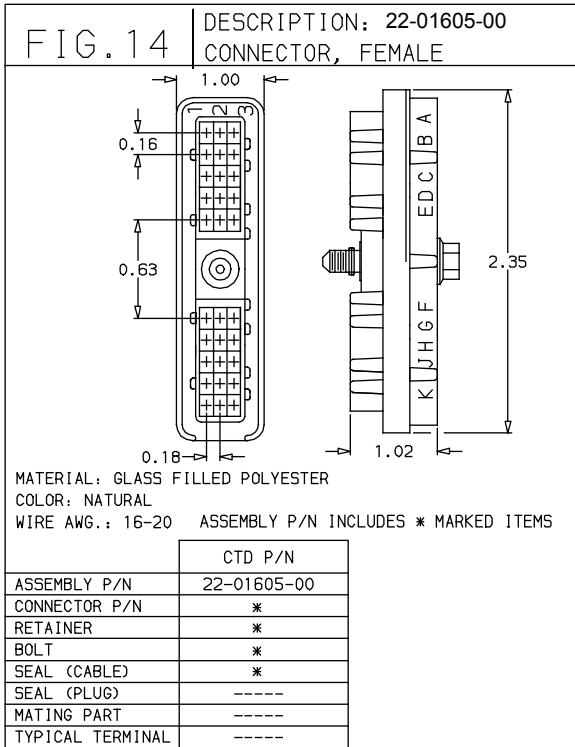
A member of the United Technologies Corporation family. Stock symbol UTX
©2013 UTC Climate | Controls | Security Printed in U. S. A.

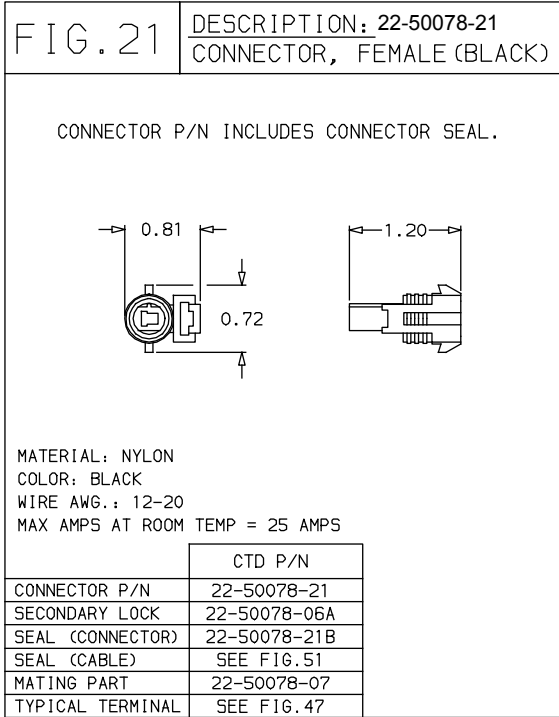
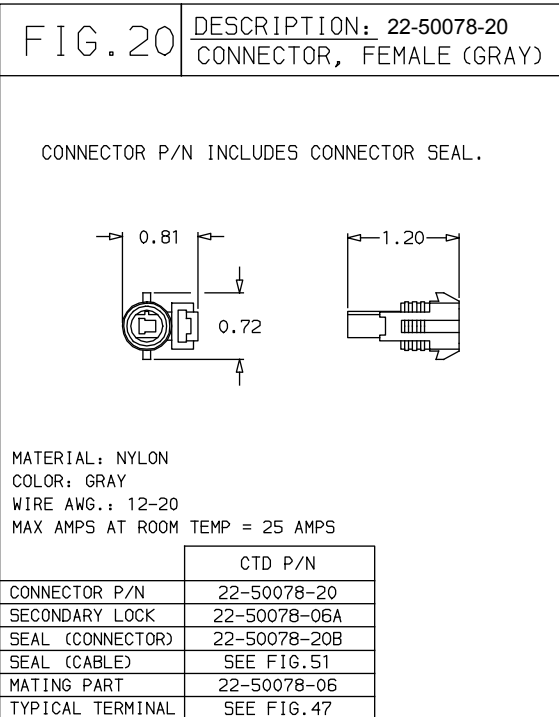
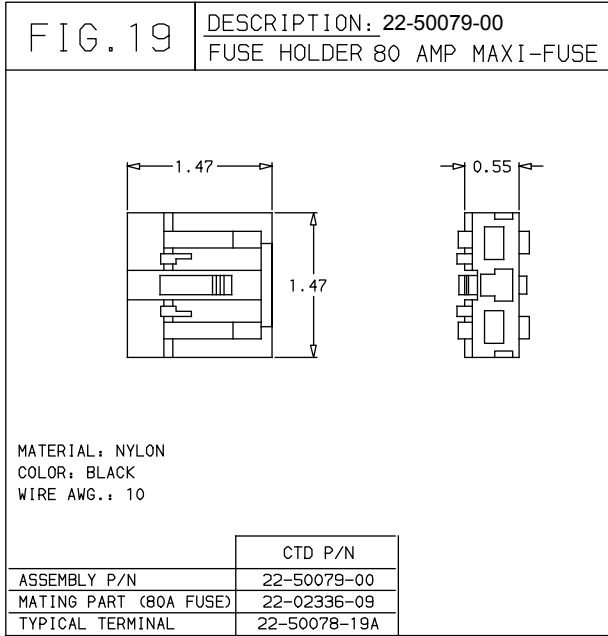
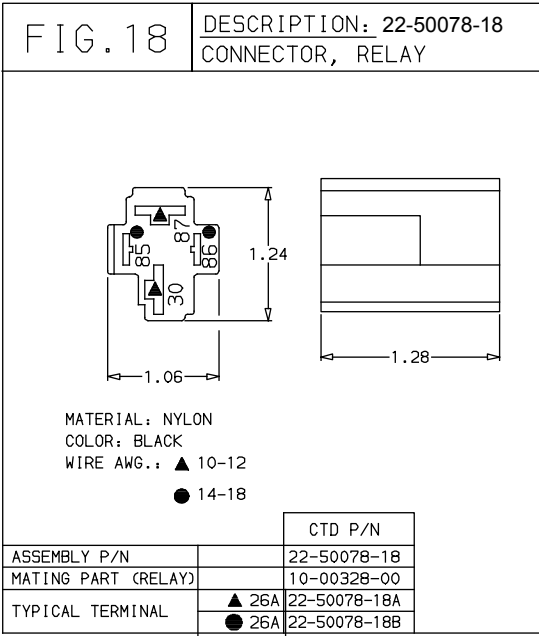


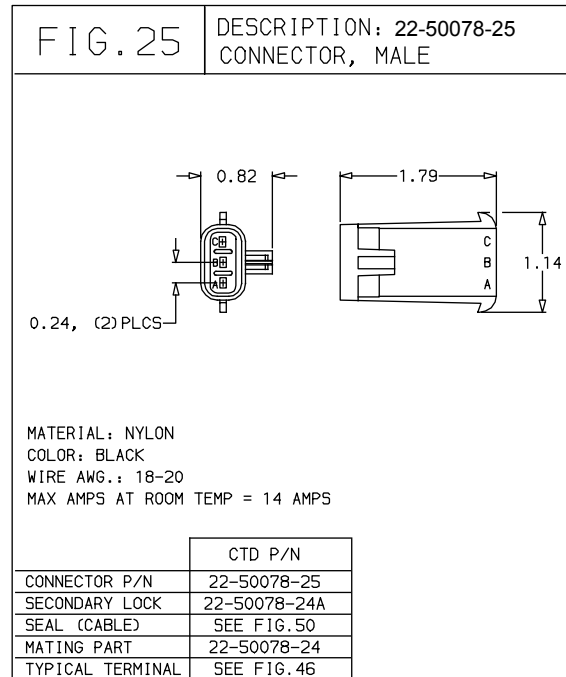
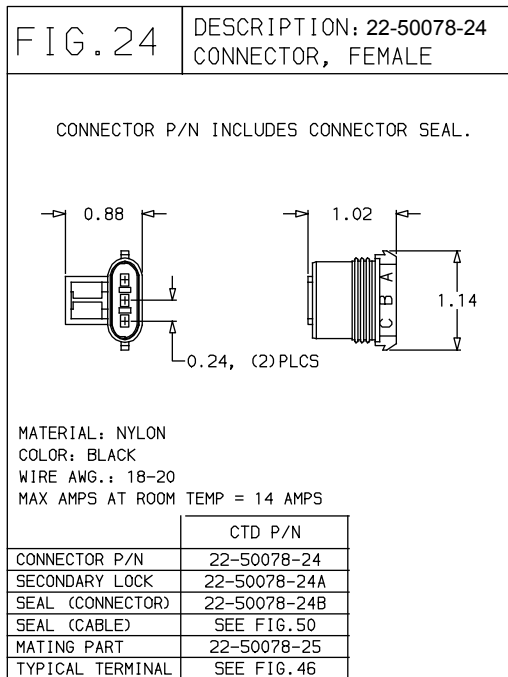
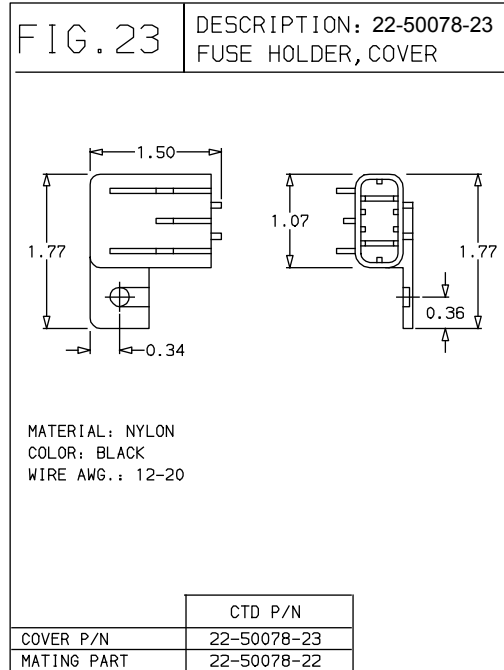
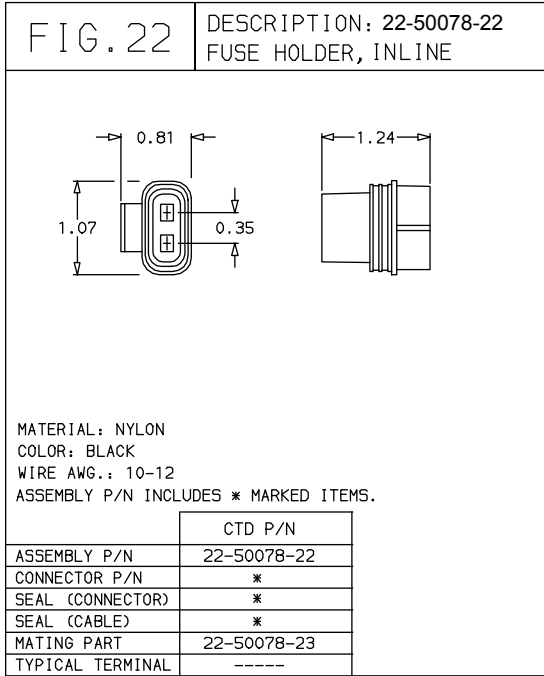


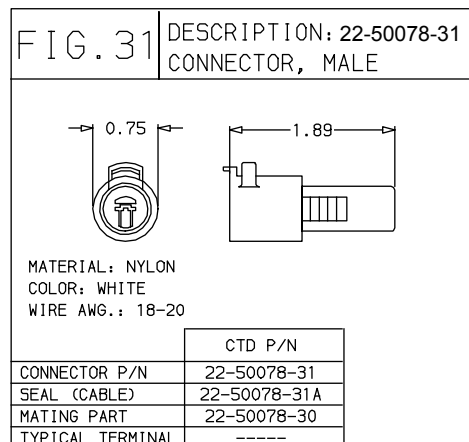
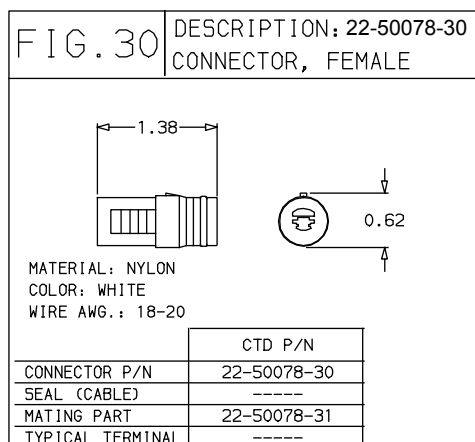
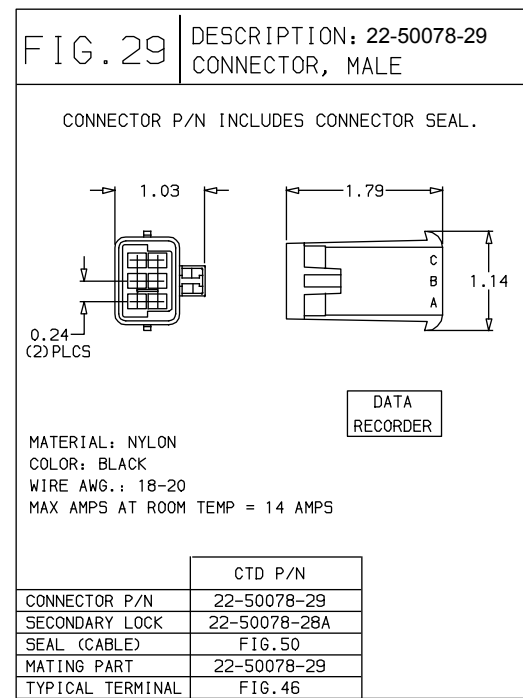
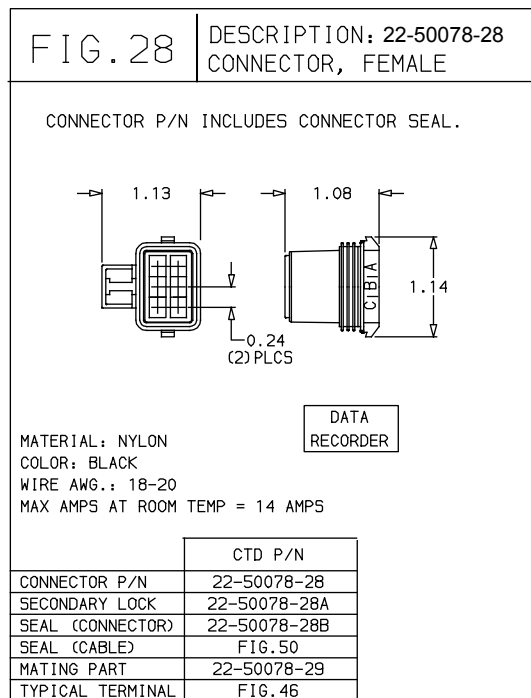
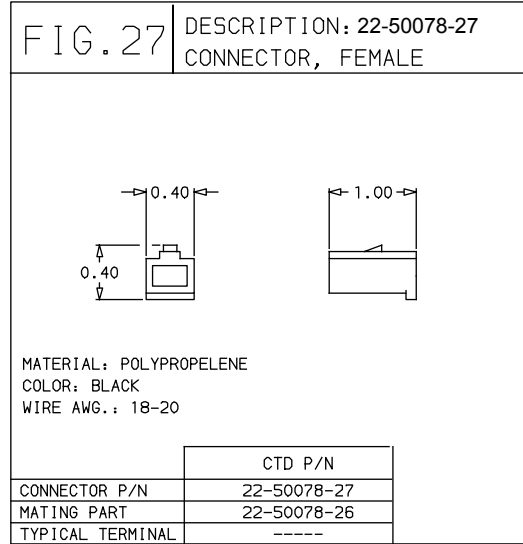
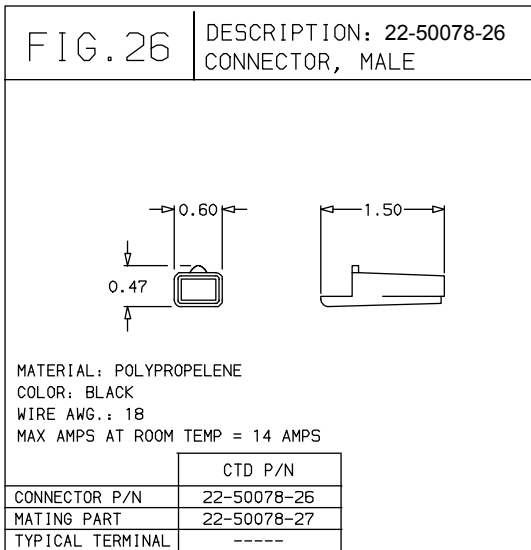


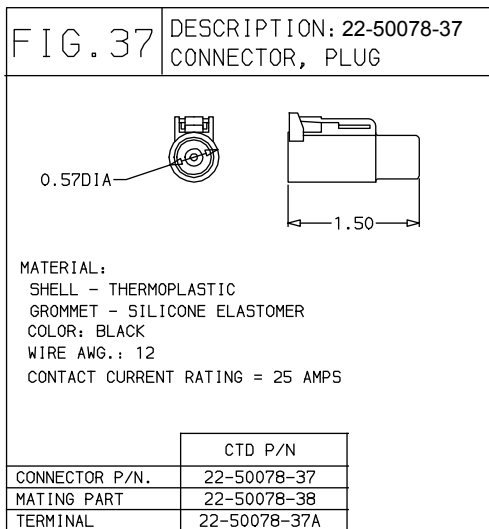
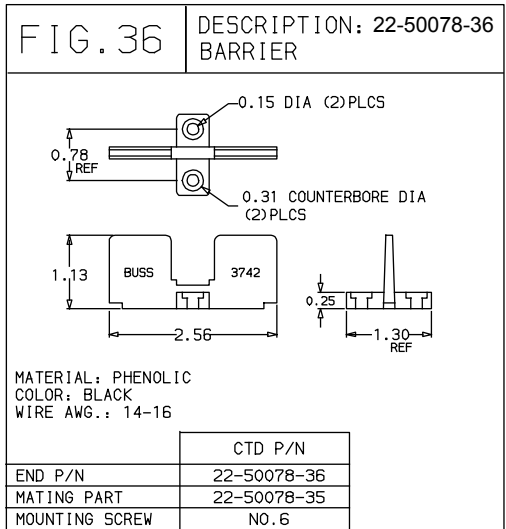
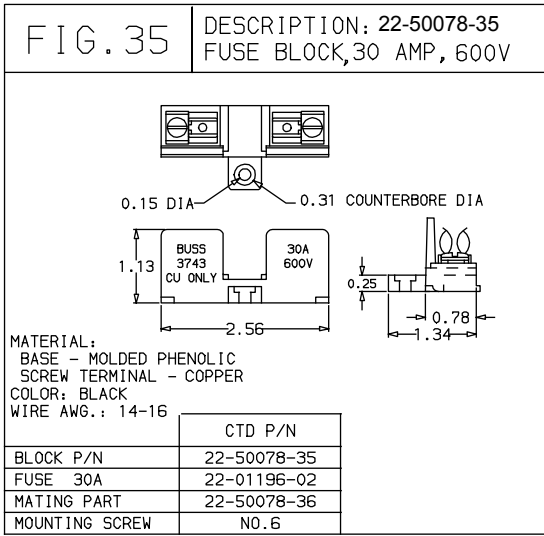
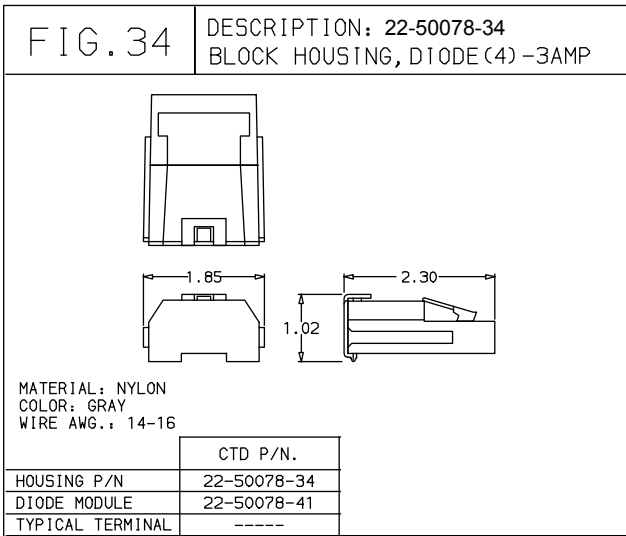
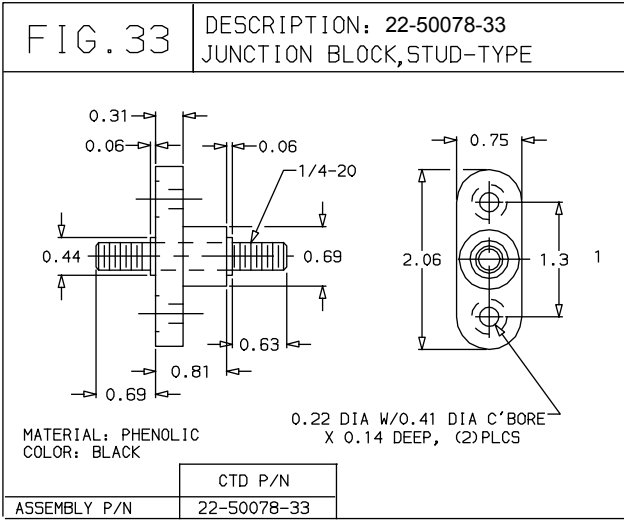
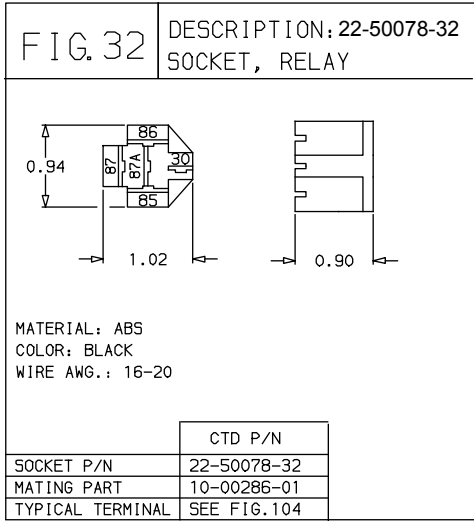


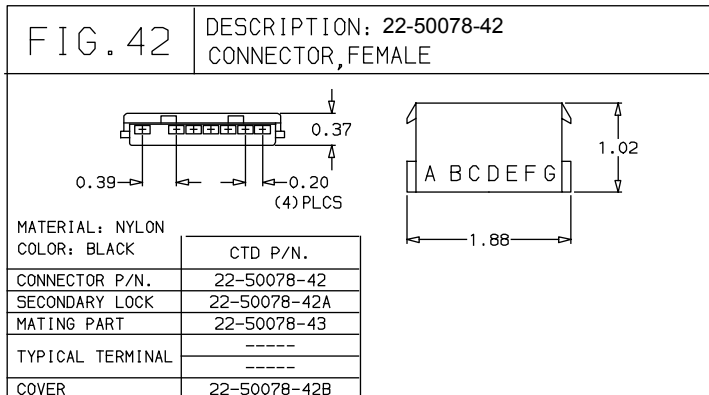
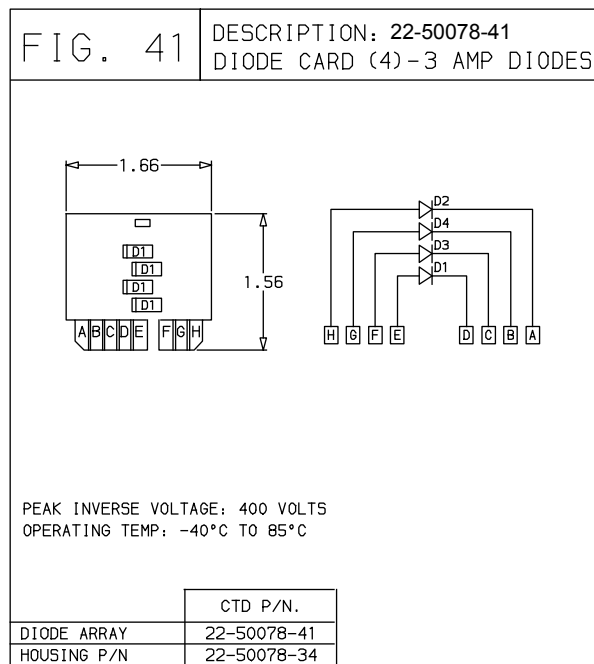
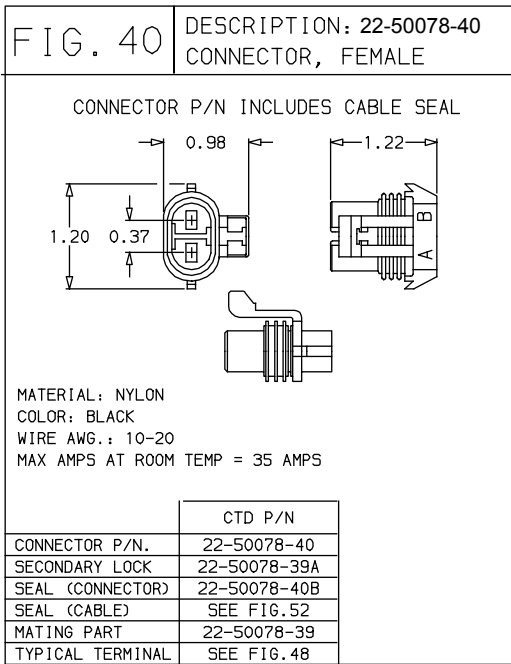
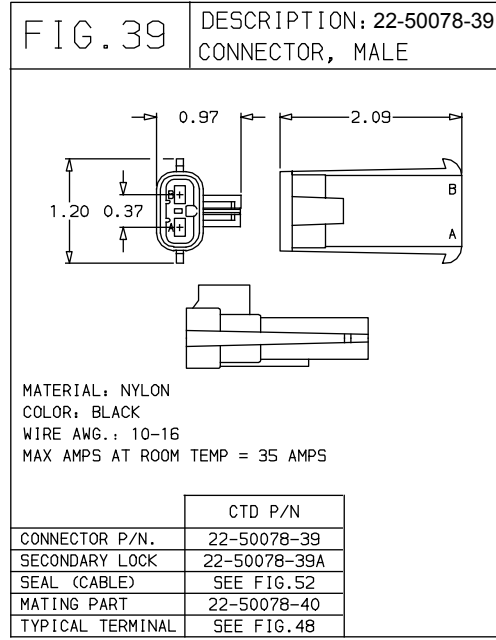
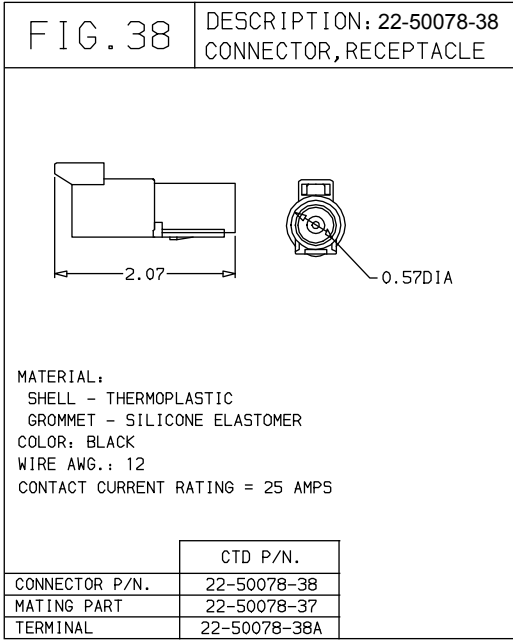












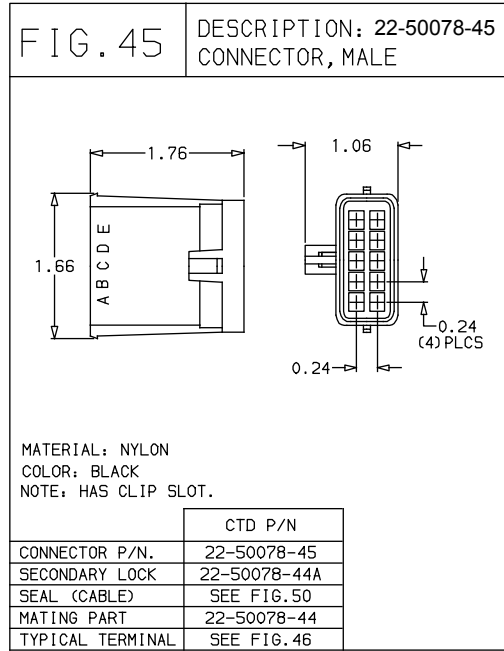
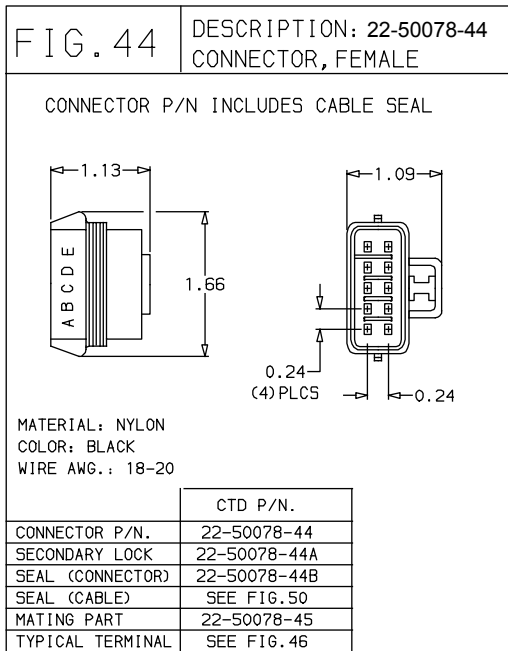
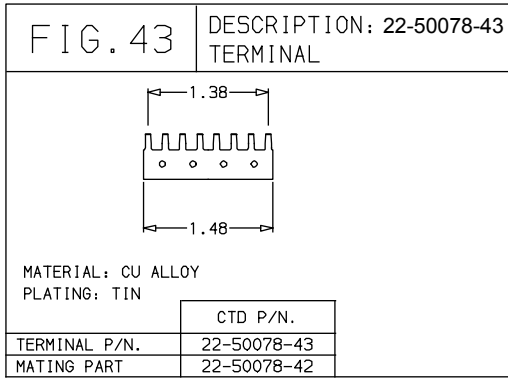


FIG. 46	DESCRIPTION: 22-50078-46 TERMINALS, SEALED ■																												
	<table border="1"> <thead> <tr> <th></th> <th>GAUGE</th> <th>CABLE DIA (mm)</th> <th>CTD P/N</th> </tr> </thead> <tbody> <tr> <td>MALE TERMINAL</td> <td>18-20</td> <td>1.84-2.10</td> <td>22-50078-46A</td> </tr> <tr> <td>FEMALE TERMINAL</td> <td>18-20</td> <td>2.03-2.80</td> <td>22-50078-46B</td> </tr> <tr> <td>MALE TERMINAL</td> <td>20-22</td> <td>1.47-2.40</td> <td>22-50078-46C</td> </tr> <tr> <td>FEMALE TERMINAL</td> <td>16-20</td> <td>1.70-2.40</td> <td>22-50078-46D</td> </tr> <tr> <td>FEMALE TERMINAL</td> <td>18</td> <td>1.00-0.80</td> <td>22-50078-46E</td> </tr> <tr> <td>FEMALE TERMINAL</td> <td>20-22</td> <td>1.30-2.20</td> <td>22-50078-46F</td> </tr> </tbody> </table>		GAUGE	CABLE DIA (mm)	CTD P/N	MALE TERMINAL	18-20	1.84-2.10	22-50078-46A	FEMALE TERMINAL	18-20	2.03-2.80	22-50078-46B	MALE TERMINAL	20-22	1.47-2.40	22-50078-46C	FEMALE TERMINAL	16-20	1.70-2.40	22-50078-46D	FEMALE TERMINAL	18	1.00-0.80	22-50078-46E	FEMALE TERMINAL	20-22	1.30-2.20	22-50078-46F
	GAUGE	CABLE DIA (mm)	CTD P/N																										
MALE TERMINAL	18-20	1.84-2.10	22-50078-46A																										
FEMALE TERMINAL	18-20	2.03-2.80	22-50078-46B																										
MALE TERMINAL	20-22	1.47-2.40	22-50078-46C																										
FEMALE TERMINAL	16-20	1.70-2.40	22-50078-46D																										
FEMALE TERMINAL	18	1.00-0.80	22-50078-46E																										
FEMALE TERMINAL	20-22	1.30-2.20	22-50078-46F																										

FIG. 47	DESCRIPTION: 22-50078-47 TERMINALS, SEALED ■																																
	<table border="1"> <thead> <tr> <th></th> <th>GAUGE REF</th> <th>CABLE DIA (mm)</th> <th>CTD P/N</th> </tr> </thead> <tbody> <tr> <td rowspan="3">MALE TERMINAL</td> <td>18-20</td> <td>2.03-3.12</td> <td>22-50078-47A</td> </tr> <tr> <td>14-16</td> <td>2.45-3.80</td> <td>22-50078-47B</td> </tr> <tr> <td>12</td> <td>3.49-3.65</td> <td>22-50078-47C</td> </tr> <tr> <td rowspan="3">FEMALE TERMINAL</td> <td>18-20</td> <td>2.03-3.12</td> <td>22-50078-47D</td> </tr> <tr> <td>14-16</td> <td>2.45-3.80</td> <td>22-50078-47E</td> </tr> <tr> <td>12</td> <td>3.49-3.65</td> <td>22-50078-47F</td> </tr> <tr> <td>MALE TERMINAL</td> <td>12-14</td> <td>2.45-3.80</td> <td>22-50078-47G</td> </tr> <tr> <td>FEMALE TERMINAL</td> <td>20-22</td> <td>1.84-2.51</td> <td>22-50078-47H</td> </tr> </tbody> </table>		GAUGE REF	CABLE DIA (mm)	CTD P/N	MALE TERMINAL	18-20	2.03-3.12	22-50078-47A	14-16	2.45-3.80	22-50078-47B	12	3.49-3.65	22-50078-47C	FEMALE TERMINAL	18-20	2.03-3.12	22-50078-47D	14-16	2.45-3.80	22-50078-47E	12	3.49-3.65	22-50078-47F	MALE TERMINAL	12-14	2.45-3.80	22-50078-47G	FEMALE TERMINAL	20-22	1.84-2.51	22-50078-47H
	GAUGE REF	CABLE DIA (mm)	CTD P/N																														
MALE TERMINAL	18-20	2.03-3.12	22-50078-47A																														
	14-16	2.45-3.80	22-50078-47B																														
	12	3.49-3.65	22-50078-47C																														
FEMALE TERMINAL	18-20	2.03-3.12	22-50078-47D																														
	14-16	2.45-3.80	22-50078-47E																														
	12	3.49-3.65	22-50078-47F																														
MALE TERMINAL	12-14	2.45-3.80	22-50078-47G																														
FEMALE TERMINAL	20-22	1.84-2.51	22-50078-47H																														

FIG. 48	DESCRIPTION: 22-50078-48 TERMINALS, SEALED ●		
	GAUGE	CABLE DIA (mm)	CTD P/N
MALE TERMINAL	14-16	2.56-3.58	22-50078-48A
	12	3.57-4.90	22-50078-48B
	10	3.49-5.24	22-50078-48C
FEMALE TERMINAL	18-20	2.11-2.68	22-50078-48D
	14-16	2.56-3.59	22-50078-48E
	12	3.57-4.90	22-50078-48F
	10	3.40-5.24	22-50078-48G
	12	3.04-3.20	22-50078-48H
	14-16	2.48-3.97	22-50078-48J
	20-22	1.84-2.51	22-50078-48K

FIG. 49	DESCRIPTION: 22-50078-49 TERMINALS, SEALED ▲		
	GAUGE	CABLE DIA (mm)	CTD P/N
MALE TERMINAL	18-20	2.11-2.68	22-50078-49A
	14-16	2.65-3.54	22-50078-49B
	12	3.97-4.90	22-50078-49C
	10	4.40-5.24	22-50078-49D
FEMALE TERMINAL	18-20	2.11-2.68	22-50078-49E
	14-16	2.65-3.59	22-50078-49F
	12	3.57-4.90	22-50078-49G
	10	4.40-5.24	22-50078-49H
	20-22	1.84-2.51	22-50078-49J

FIG. 50	DESCRIPTION: 22-50078-50 SEALS, CABLE			
	CABLE DIA (mm)	COLOR	TYPE	CTD P/N
	2.03-2.80	RED	3	22-50078-50A
	1.29-2.06	BLUE	3	22-50078-50B

FIG. 51	DESCRIPTION: 22-50078-51 SEALS, CABLE			
	CABLE DIA (mm)	COLOR	TYPE	CID P/N
	2.03-2.80	GREEN	1	22-02394-02
	2.81-3.60	GREY	2	22-02394-00
	3.50-4.21	BLUE	2	22-02394-01
	1.29-2.06	RED	3	22-50078-51D
	2.26-2.42	TAN	2	22-50078-51E
	1.60-2.15	PURPLE	1	22-02394-03

FIG. 52	DESCRIPTION: 22-50078-52 SEALS, CABLE			
	CABLE DIA (mm)	COLOR	TYPE	CTD P/N
	2.01-2.80	WHITE	3	22-50078-52A
	2.81-3.60	RED	3	22-50078-52B
	3.61-4.40	PURPLE	3	22-50078-52C
	1.69-2.06	YELLOW	3	22-50078-52D

FIG. 53	DESCRIPTION: 22-50078-53 SEALS, CABLE			
	CABLE DIA (mm)	COLOR	TYPE	CTD P/N
	4.40-5.15	GREEN	3	22-50078-53A
	2.81-3.60	GREY	3	22-50078-53B
	2.01-2.80	RED	3	22-50078-53C
	3.61-4.40	BLUE	3	22-50078-53D


FIG. 54	DESCRIPTION: 22-50078-54 PLUG, CAVITY		
	MATERIAL: SILICONE COLOR: DARK RED		
			
	CTD P/N	22-50078-54	
CAVITY P/N	22-50078-54		

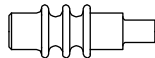
FIG. 55	DESCRIPTION: 22-50078-55 PLUG, CAVITY		
	MATERIAL: SILICONE COLOR: GREEN		
			
	CTD P/N	22-50078-55	
CAVITY P/N	22-50078-55		

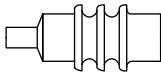
FIG. 56	DESCRIPTION: 22-50078-56 PLUG, CAVITY		
	MATERIAL: SILICONE COLOR: LIGHT GREEN		
			
	CTD P/N	22-50078-56	
CAVITY P/N	22-50078-56		

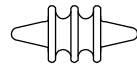
FIG. 57	DESCRIPTION: 22-50078-57 PLUG, CAVITY		
	MATERIAL: SILICONE COLOR: GREEN		
			
	CTD P/N	22-50078-57	
CAVITY P/N	22-50078-57		

FIG. 58	DESCRIPTION: 22-50078-58 TERMINALS		
	GAUGE	CABLE DIA (mm)	CTD P/N
MALE TERMINAL	22	1.86	22-50078-58A
	18-20	3.11	22-02393-01
	14-16	3.96	22-02393-00
	12	3.96	22-50078-58D
FEMALE TERMINAL	22	1.86	22-50078-58E
	18-20	3.11	22-50078-58F
	14-16	3.96	22-50078-58G
	12	3.96	22-50078-58H

FIG. 59	DESCRIPTION: 22-50078-59 SEALS, CABLE			
	CABLE DIA (mm)	COLOR	TYPE	CTD P/N
	2.03-2.80	GREEN	1	22-02394-02
	2.81-3.49	GREY	2	22-02394-00
	3.50-4.21	BLUE	2	22-02394-01
	1.69-2.02	RED	2	22-50078-59D

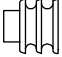
FIG. 60	DESCRIPTION: 22-50078-60 PLUG, CAVITY		
	MATERIAL: SILICONE COLOR: GREEN		VOID AND SUPERSEDED BY FIG. 55
	CTD P/N		
CAVITY P/N	22-50078-60		

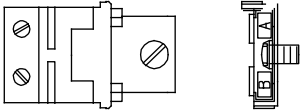
FIG. 61	DESCRIPTION: 22-50078-61 MAXI-FUSE HOLDER W/SCREW TERMINALS		
	MATERIAL: NYLON COLOR: BLACK		
		CTD P/N	
FUSE HOLDER P/N		22-50078-61	
COVER P/N		22-50078-61A	
MOUNTING SCREW		22-50078-61B	
RING TONGUE TERMINAL 10-8 AWG [5-10 SQ MM] WIRE		22-50078-61C	
FUSE HOLDER W/MTG SCREW		22-50078-61D	

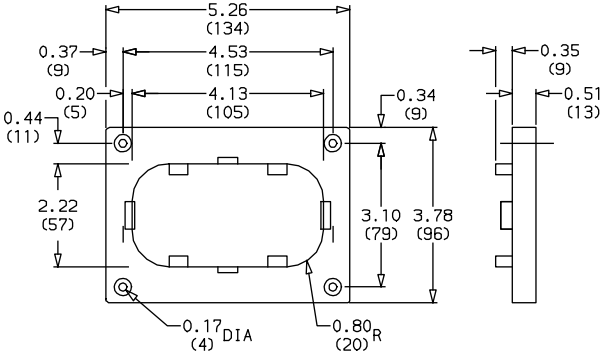
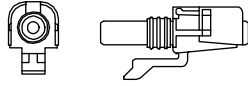
FIG. 62	DESCRIPTION: 22-50078-62 MOUNTING COLLAR 36-WAY CONNECTOR		
			
MATERIAL: VALOX COLOR: BLACK		CTD P/N	
COLLAR P/N		22-50078-62	
MATING P/N		22-50078-11	

FIG. 63 DESCRIPTION: 22-50078-63
CONNECTOR, FEMALE

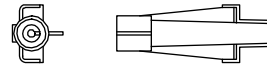
MATERIAL: NYLON
COLOR: BLACK



	CTD P/N
CONNECTOR P/N	22-50078-63
SEAL (CONNECTOR)	-
SEAL (CABLE)	SEE FIG. 59
MATING PART	22-50078-64
TYP. TERMINAL	SEE FIG. 58
CAVITY PLUG	22-50078-55

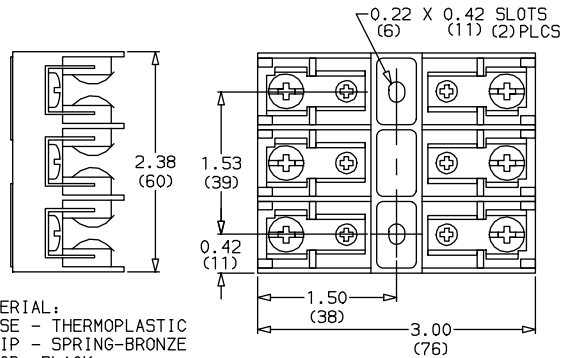
FIG. 64 DESCRIPTION: 22-50078-64
CONNECTOR, MALE

MATERIAL: NYLON 6
COLOR: BLACK



	CTD P/N
CONNECTOR P/N	22-50078-64
CAVITY PLUG	22-50078-55
MATING PART	22-50078-63

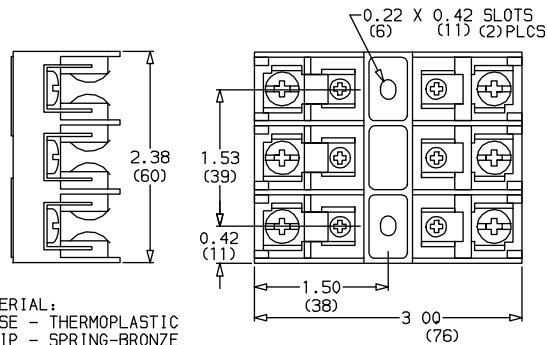
FIG. 65 DESCRIPTION: 22-50078-65
FUSE BLOCK, 30 AMP, 600V



MATERIAL:
BASE - THERMOPLASTIC
CLIP - SPRING-BRONZE
COLOR: BLACK
WIRE AWG.: 10
SCREW TERMINAL:
30A MAX
QUICK CONN. TERMINAL:
20A MAX
FOR USE WITH FUSE TYPE:
KTK, KLM, FNM, FNG, BAF & BAN.

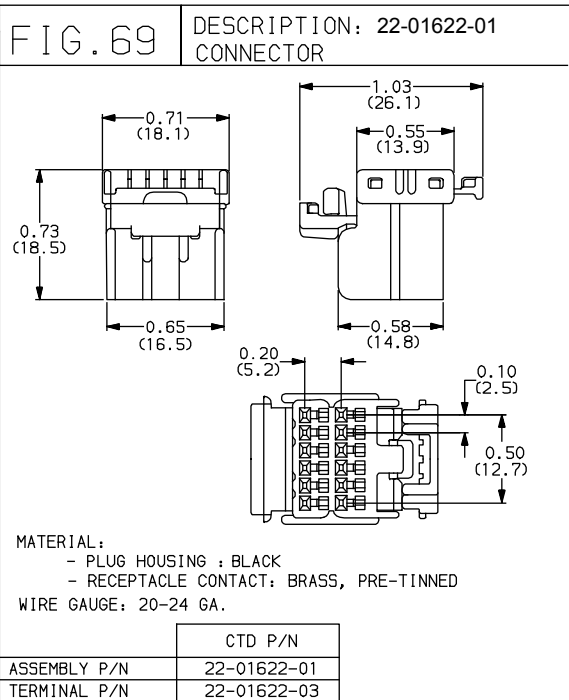
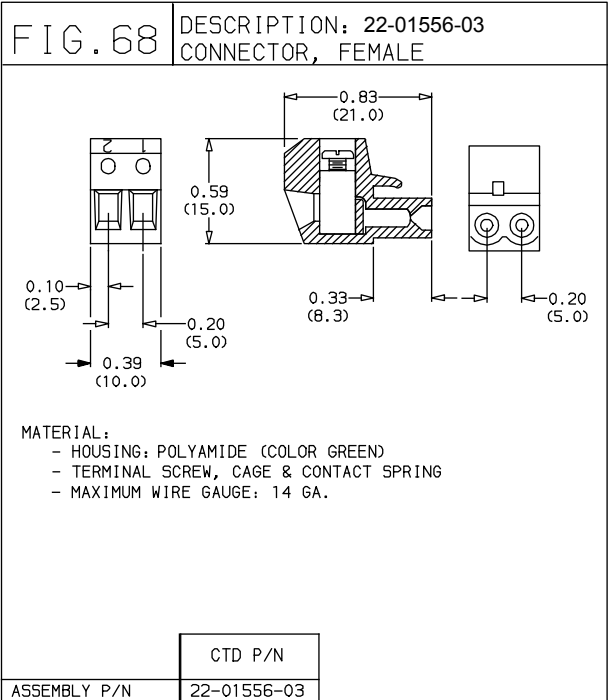
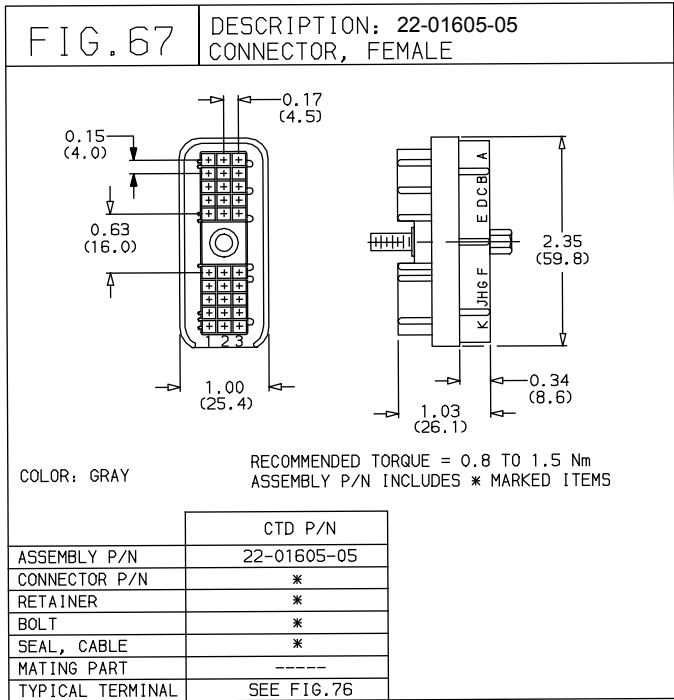
	CTD P/N
BLOCK P/N	22-50078-65

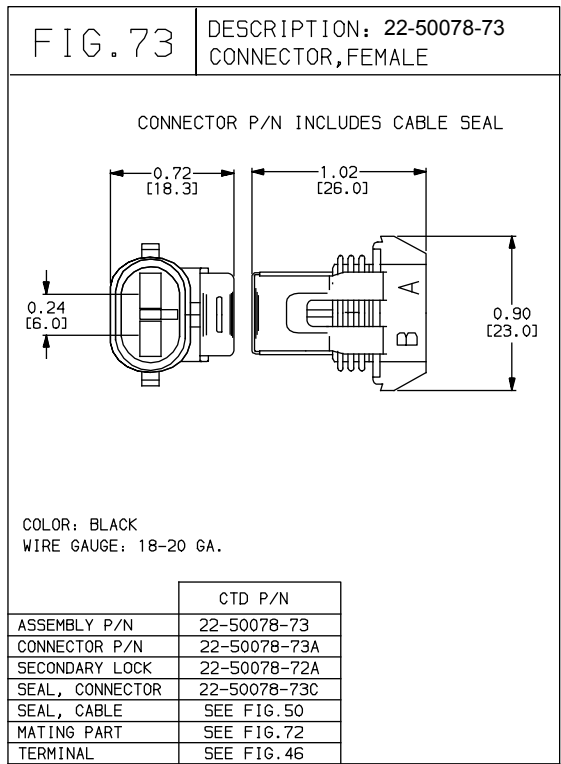
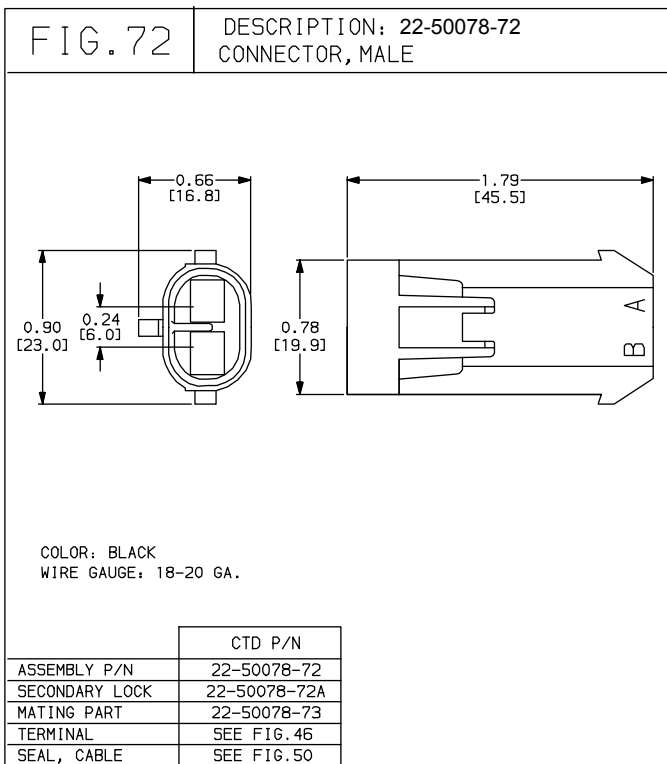
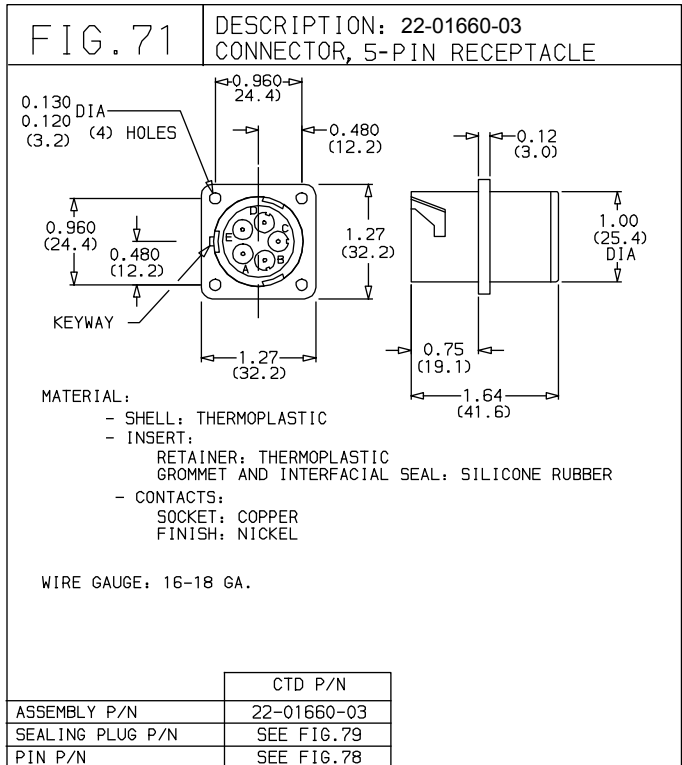
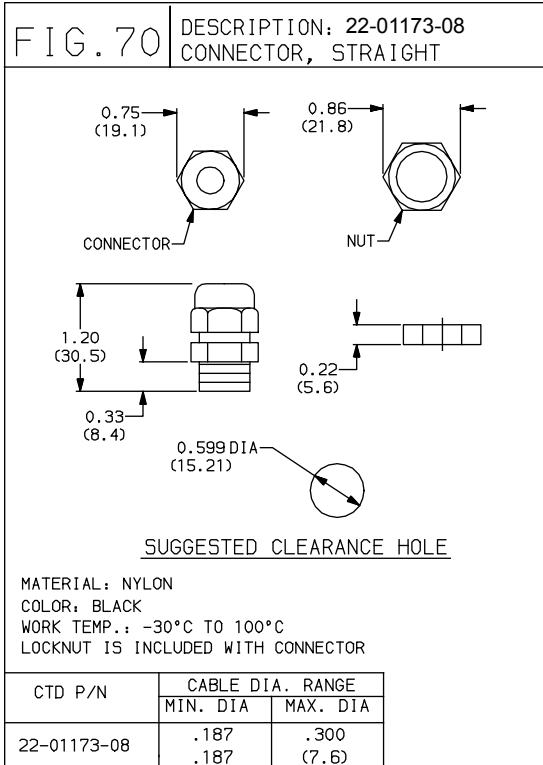
FIG. 66 DESCRIPTION: 22-50078-66
FUSE BLOCK, 30 AMP, 600V



MATERIAL:
BASE - THERMOPLASTIC
CLIP - SPRING-BRONZE
COLOR: BLACK
WIRE AWG.: 10
SCREW TERMINAL:
30A MAX
QUICK CONN. TERMINAL:
20A MAX
FOR USE WITH FUSE TYPE:
KTK-R & FNG-R

	CTD P/N
BLOCK P/N	22-50078-66





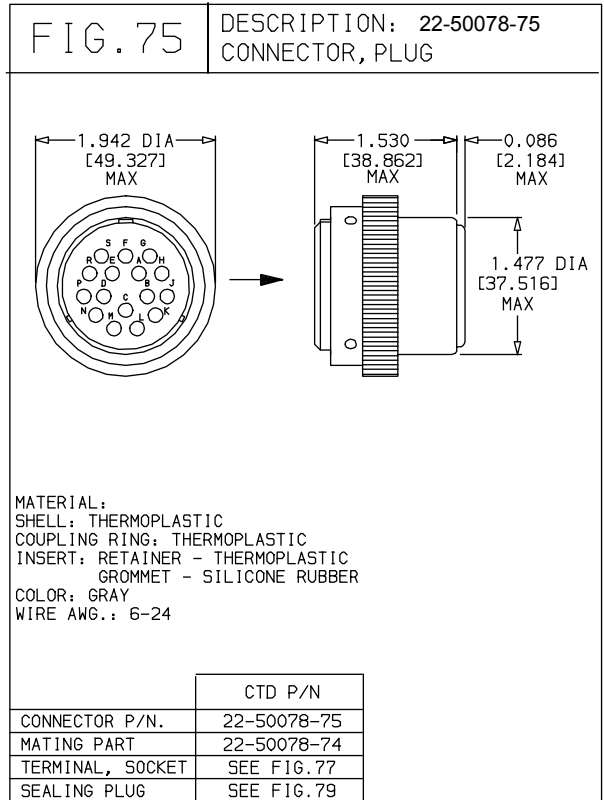
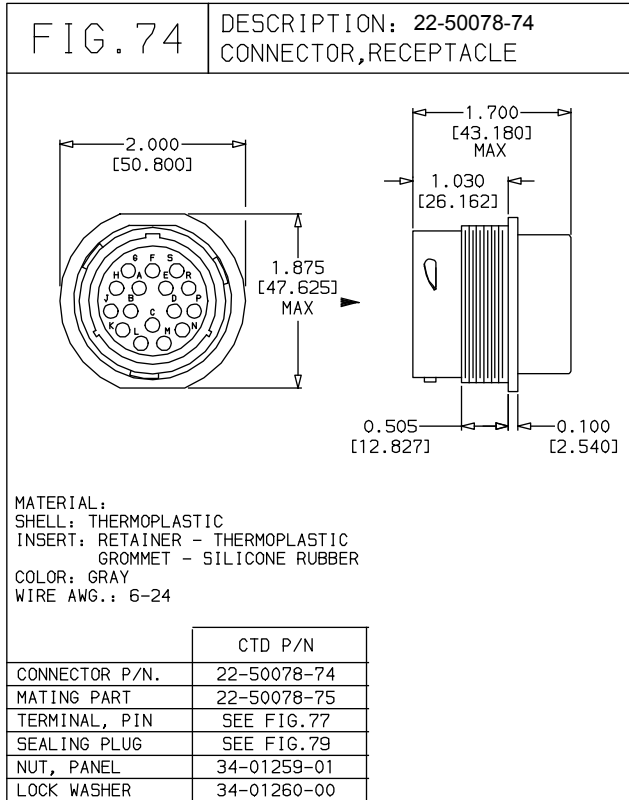


FIG. 76	DESCRIPTION: 22-50078-76 TERMINALS, SEALED		
	GUAGE	CABLE DIA (mm)	CTD P/N
FEMALE TERMINAL	20-22	0.5 - 0.35	22-50078-76A
FEMALE TERMINAL	16-18	0.8 - 1.0	22-50078-76B

FIG. 77	DESCRIPTION: 22-50078-77 TERMINALS, SEALED		
	GUAGE	CABLE DIA	CTD P/N
PIN TERMINAL	6	.280-.292	22-50078-77A
	8-10	.190-.240	22-50078-77B
	12-14	.134-.170	22-50078-77C
	16-18	.100-.134	22-01613-14
	20-24	.040-.075	22-50078-77D
SOCKET TERMINAL	6	.280-.292	22-50078-77E
	8-10	.190-.240	22-50078-77F
	12-14	.134-.170	22-50078-77G
	16-18	.100-.134	22-01613-15
	20-24	.040-.075	22-50078-77H

FIG. 78	DESCRIPTION: 22-50078-78 TERMINALS, SEALED		
	GUAGE	CABLE DIA	CTD P/N
PIN TERMINAL	14-16	.134-.170	22-50078-78A
	16-18	.100-.134	22-01613-14
SOCKET TERMINAL	14-16	.134-.170	22-50078-78B
	16-18	.100-.134	22-01613-15

FIG. 79	DESCRIPTION: 22-50078-79 PLUG, CAVITY	
	GAUGE	CTD P/N
CAVITY P/N	6	22-50078-79A
	8-10	22-50078-79B
	12-18	22-01660-08
	20-24	22-50078-79C

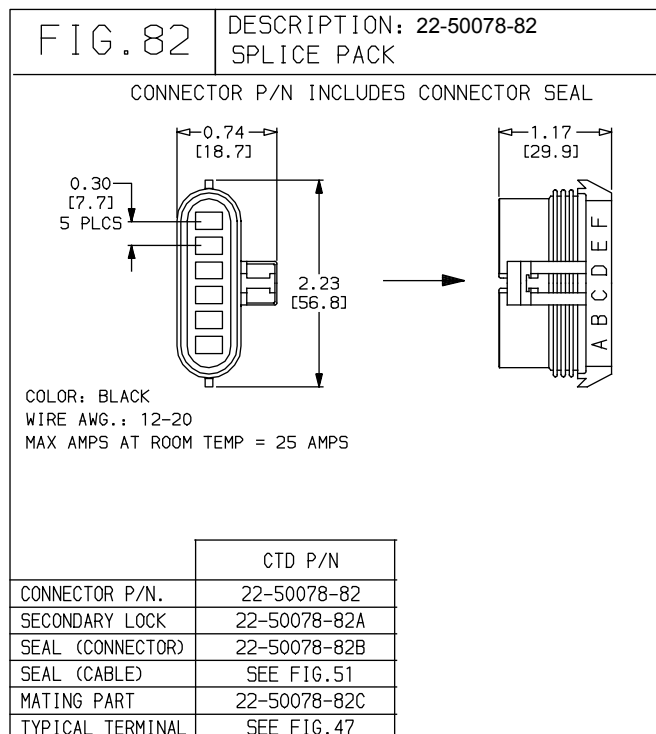
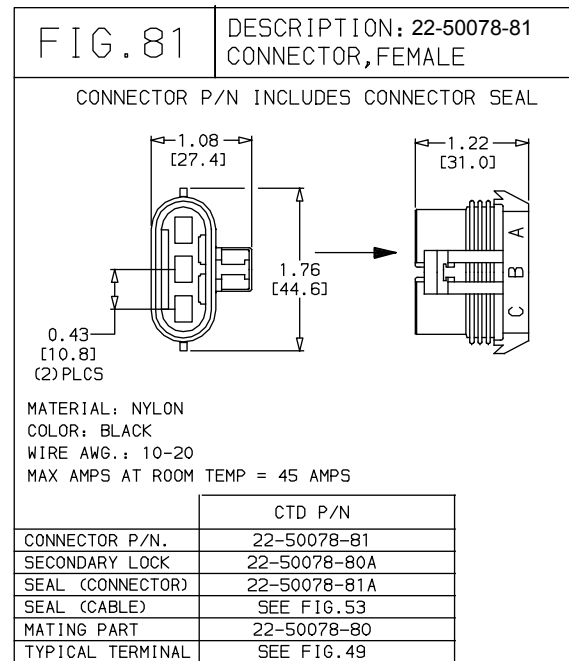
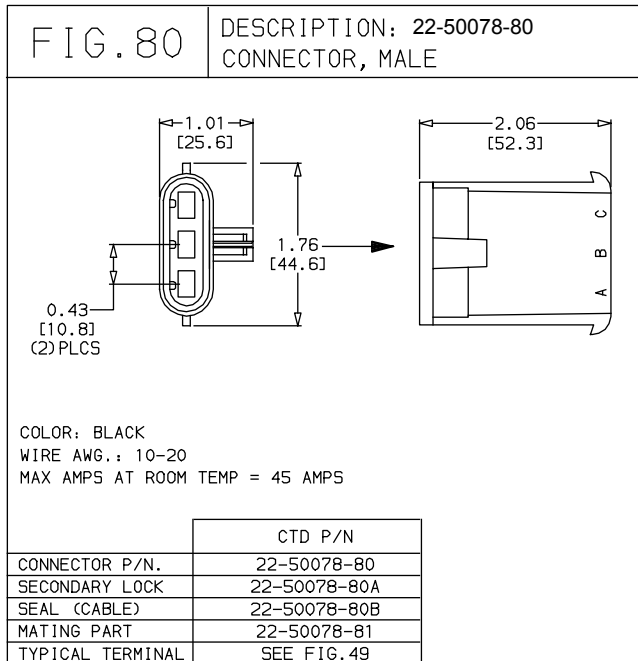
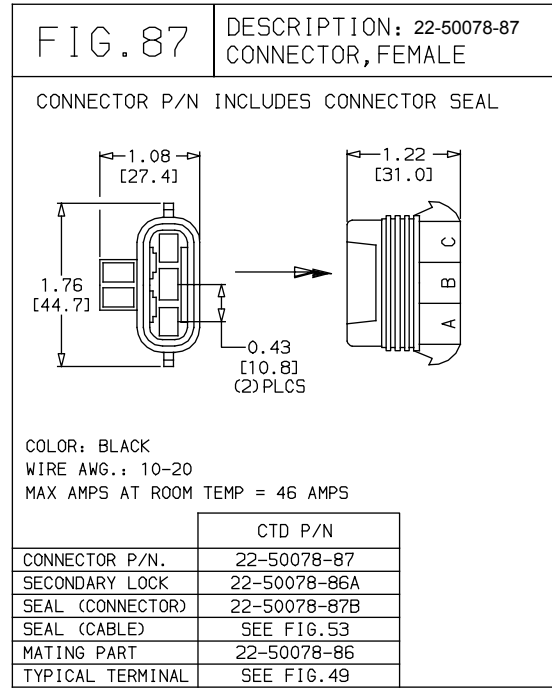
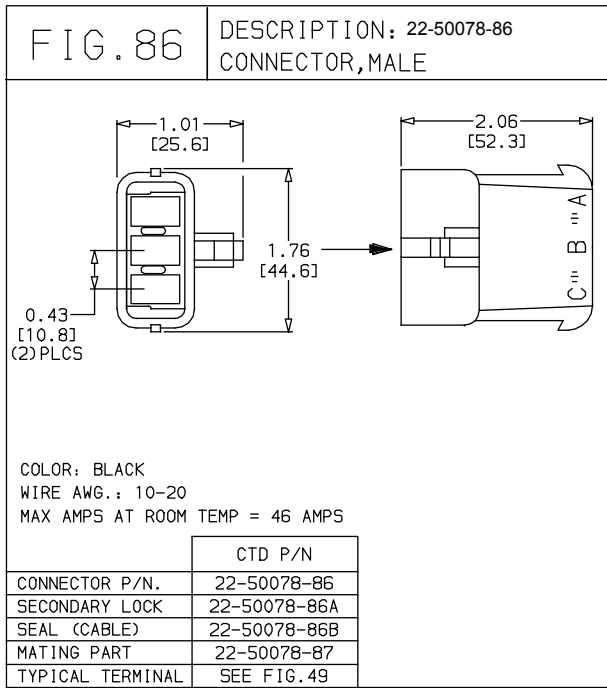
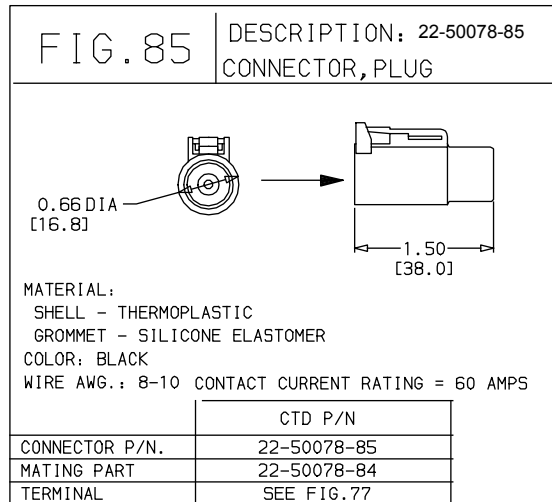
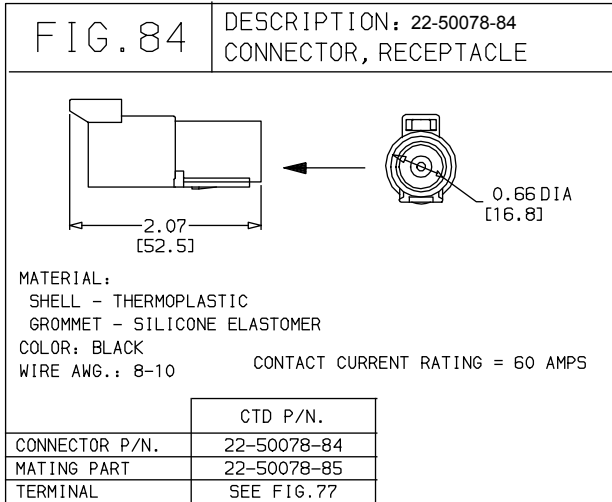
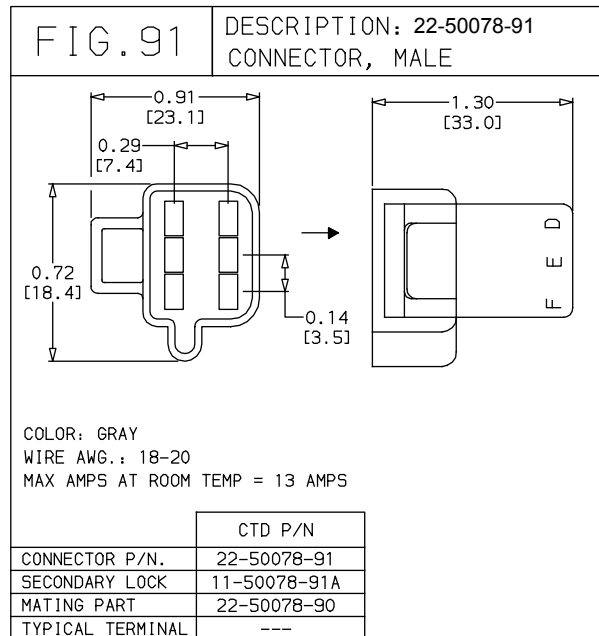
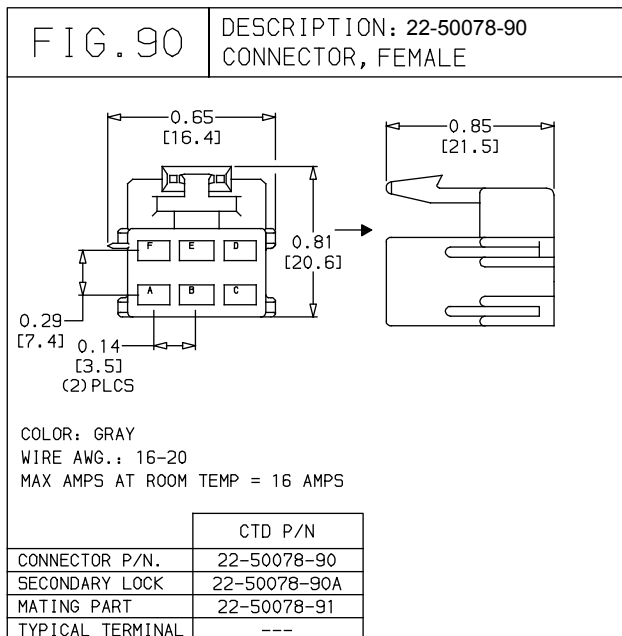
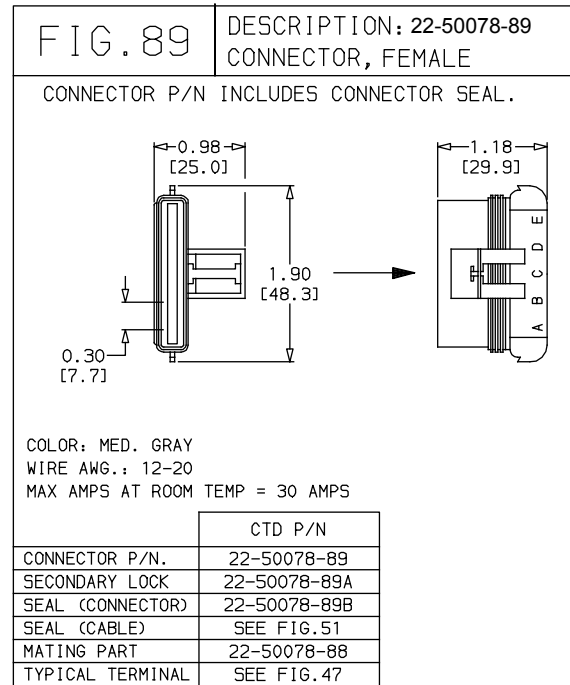
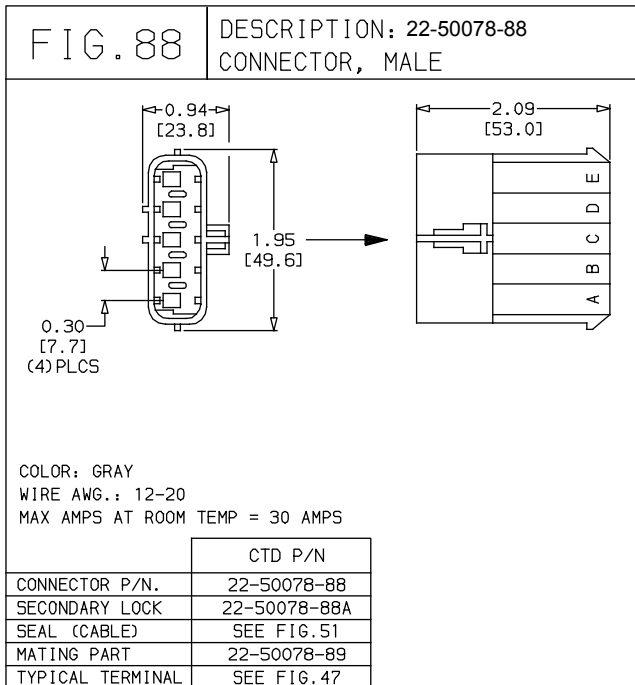
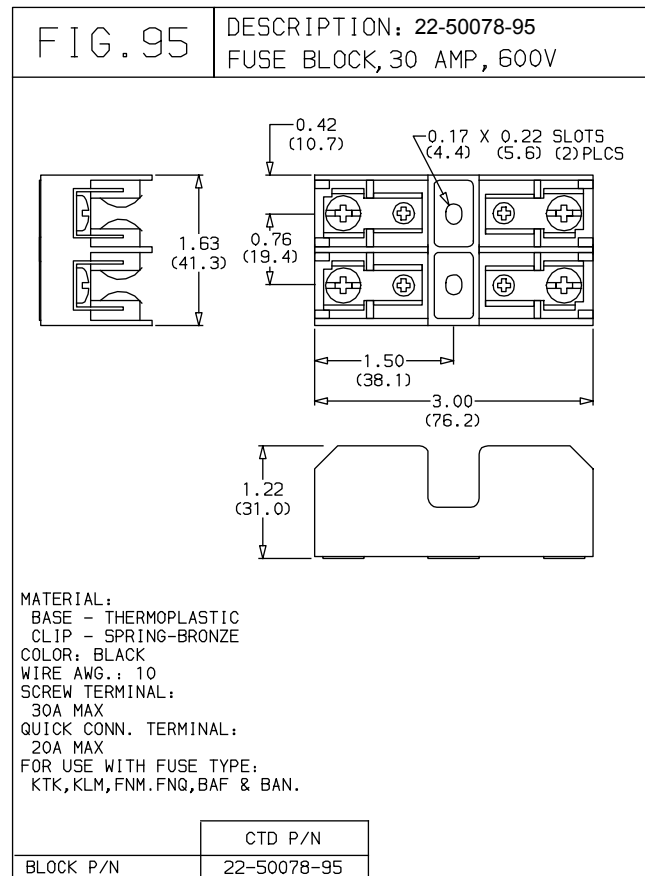
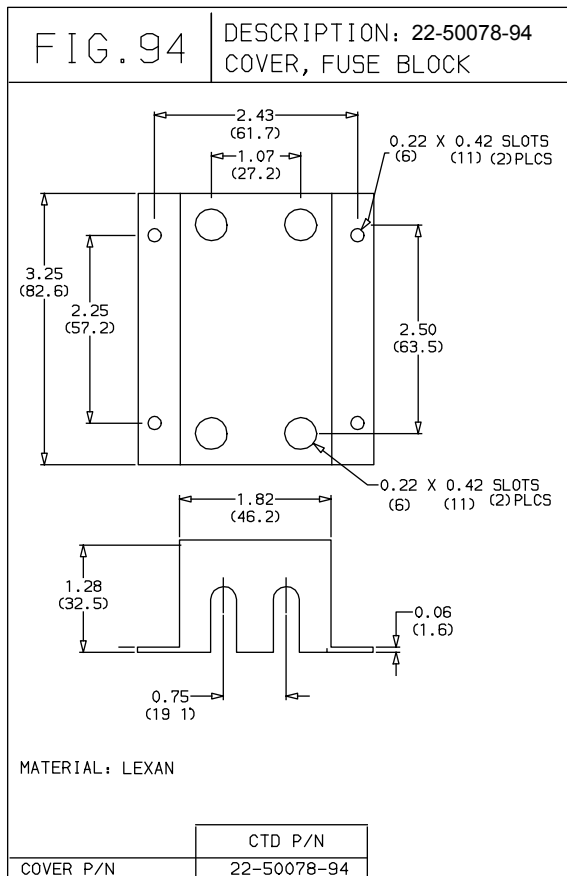
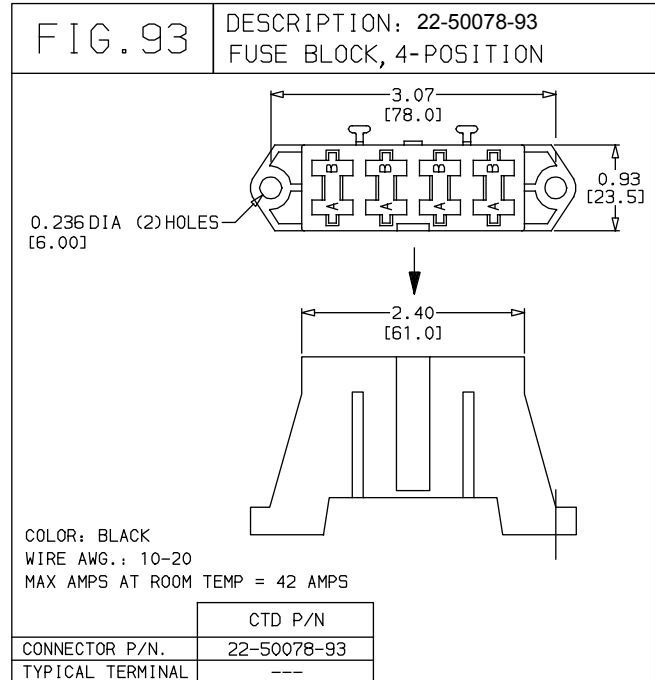
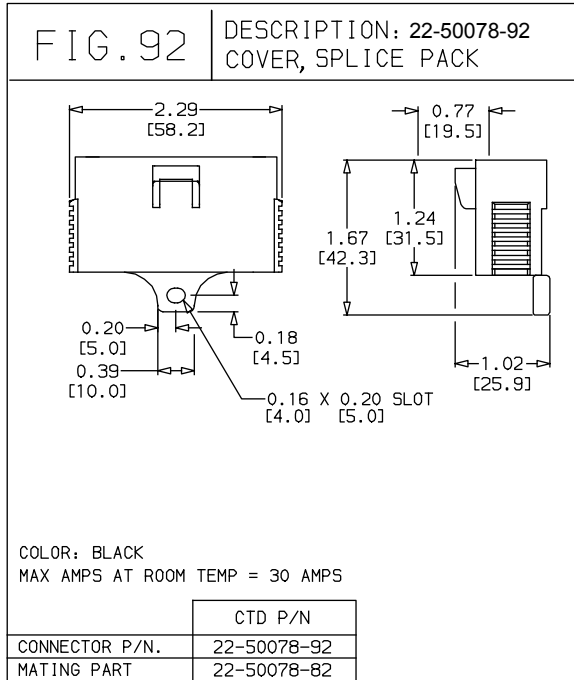
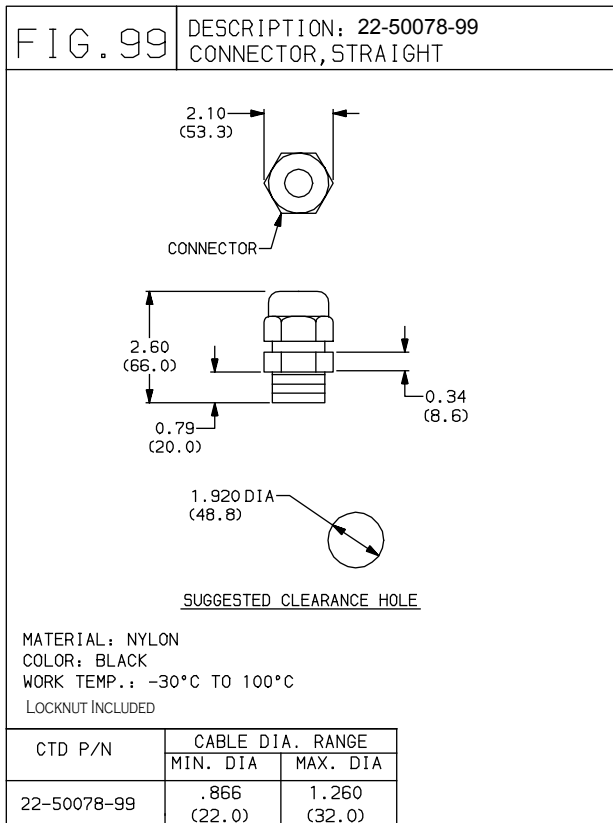
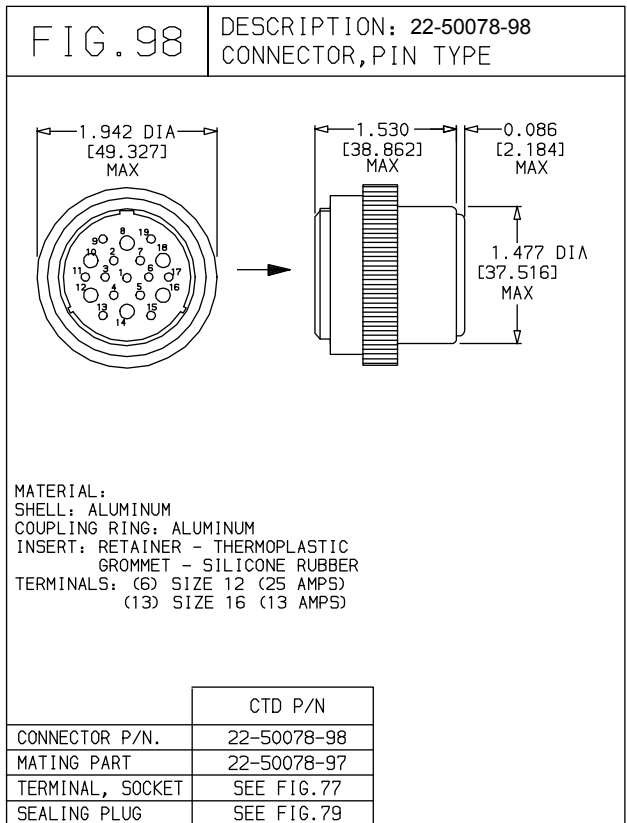
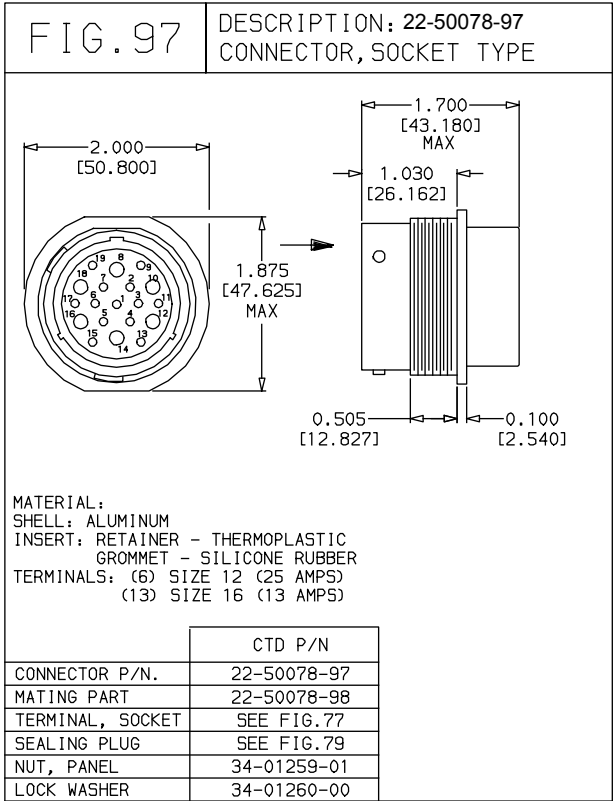
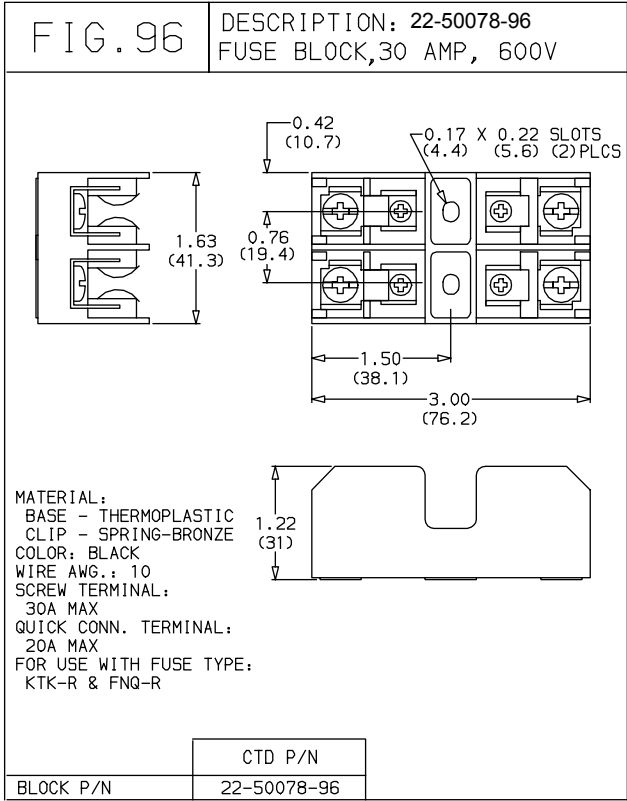


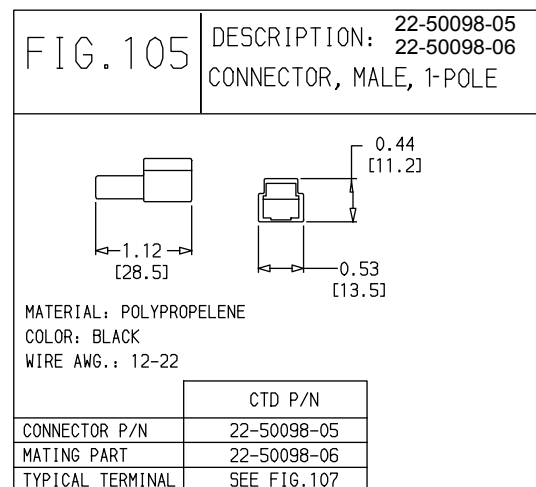
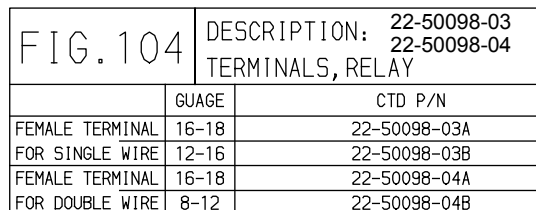
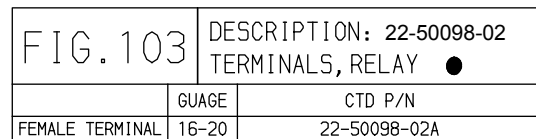
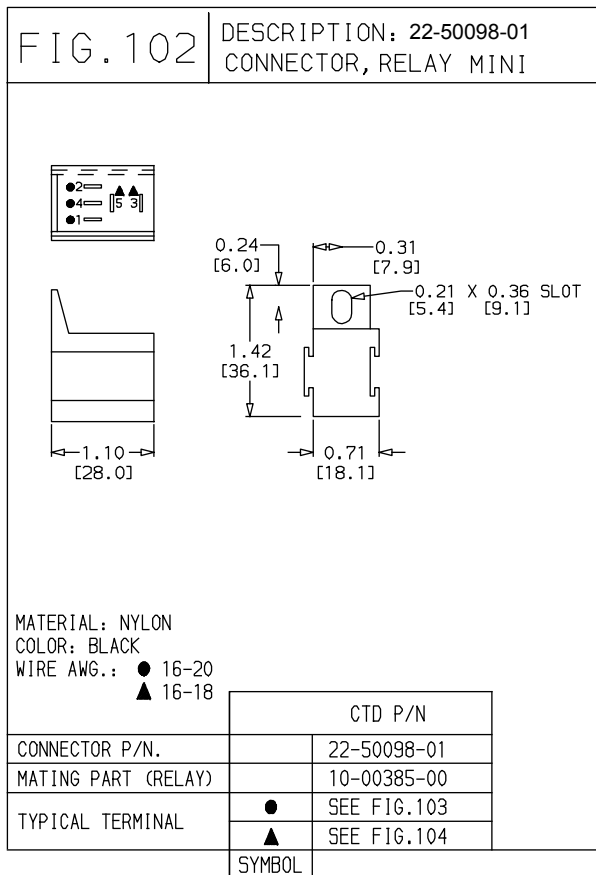
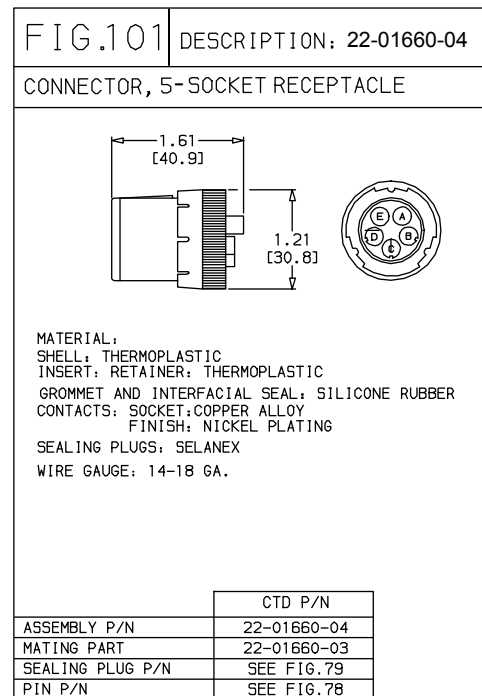
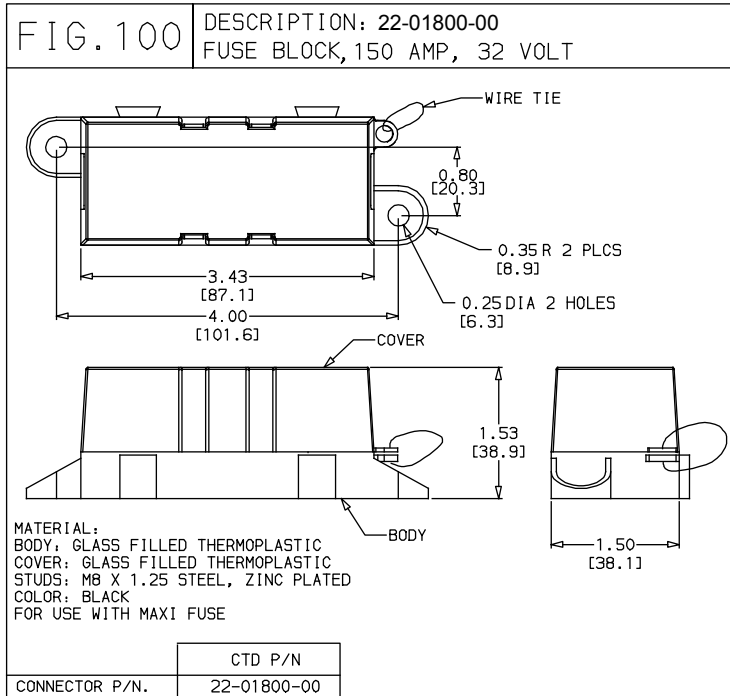
FIG. 83	<p style="font-size: 24px; margin: 0;">VOID AND SUPERSEDED BY FIG.92</p>
----------------	--











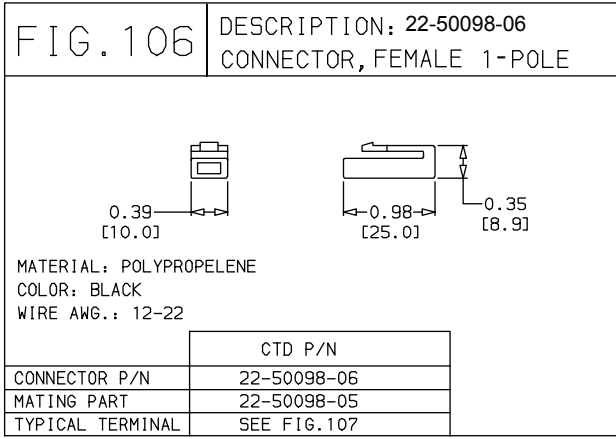
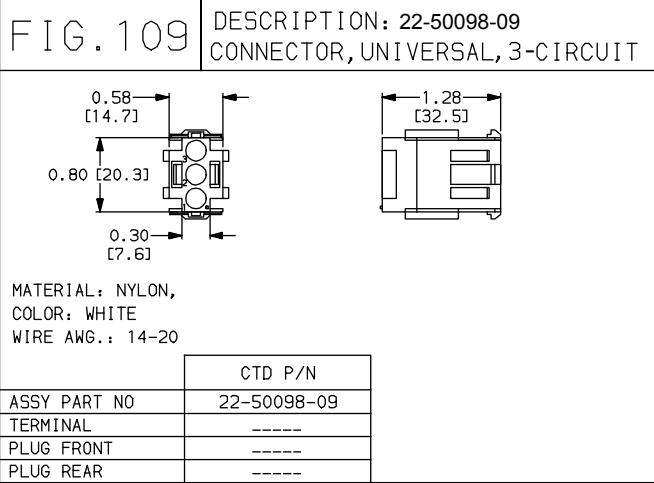
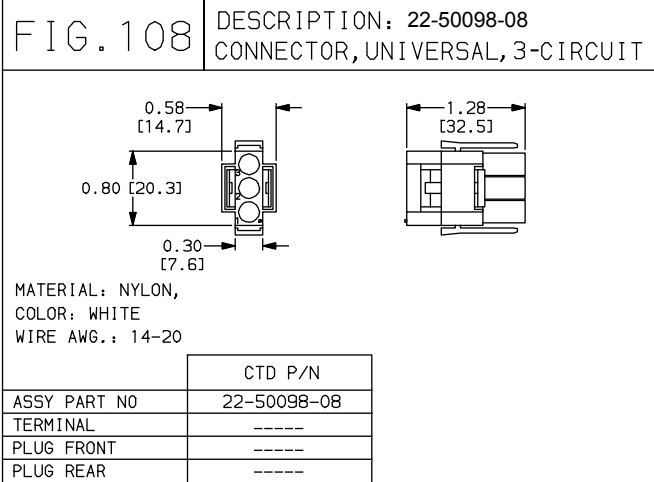
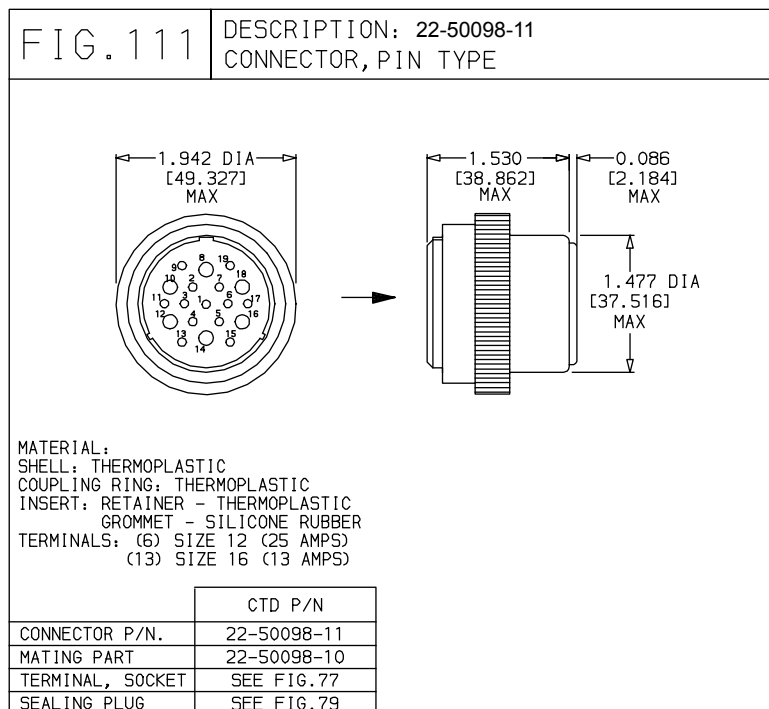
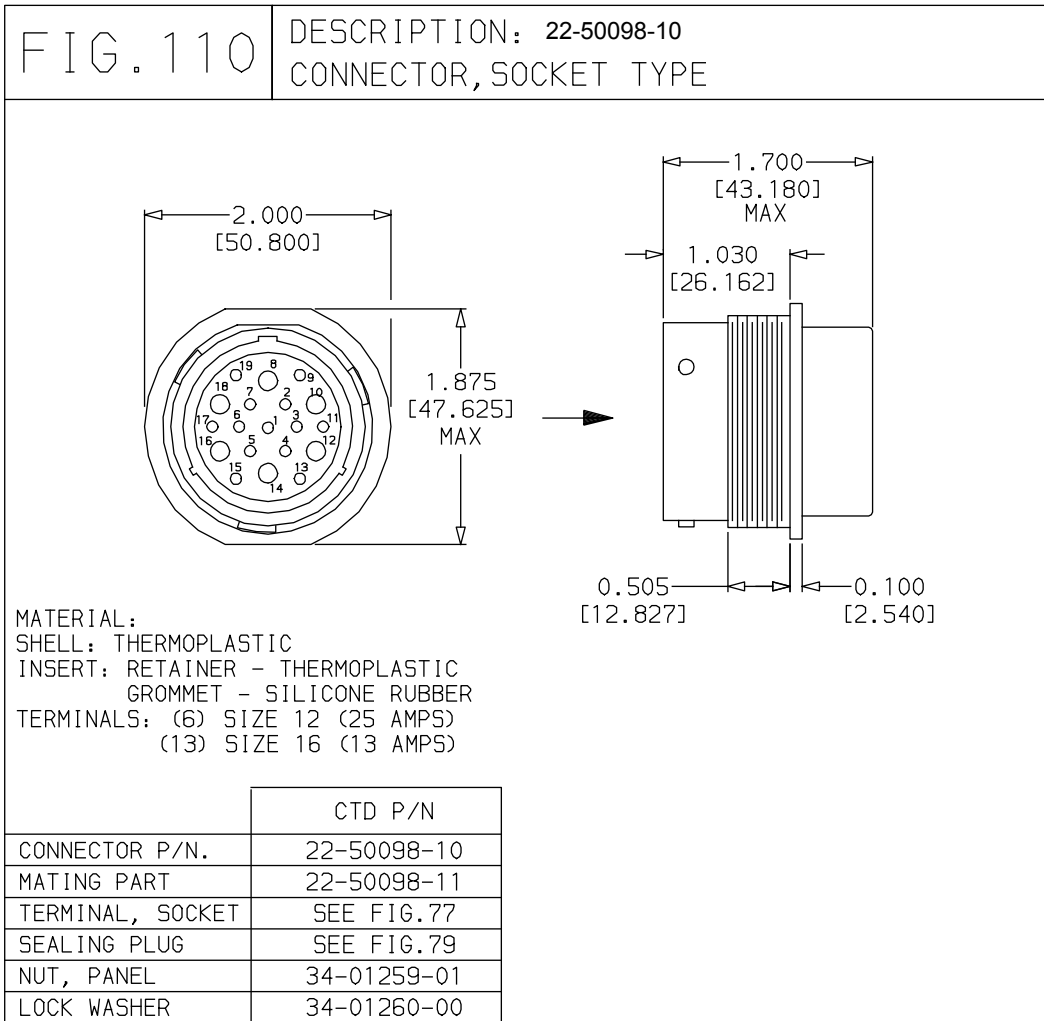


FIG. 107 DESCRIPTION: 22-50098-07
TERMINALS

	GAUGE	WIRE TYPE	CTD P/N
MALE TERMINAL	22	AVS	22-50098-07A
	14-20		22-50098-07B
	12		22-50098-07C
FEMALE TERMINAL	22		22-50098-07D
	14-20		22-50098-07E
	12		22-50098-07F





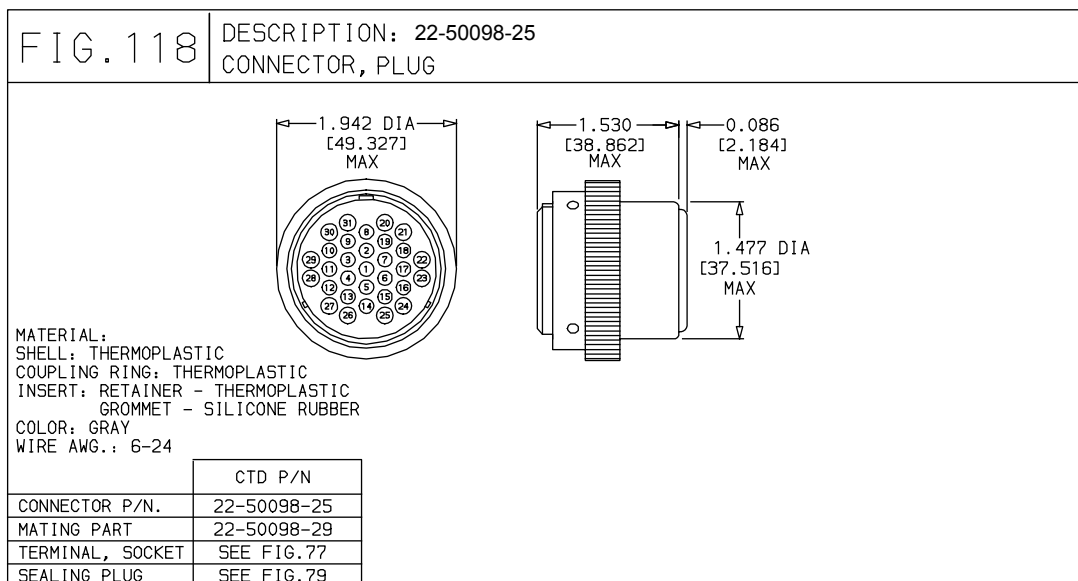
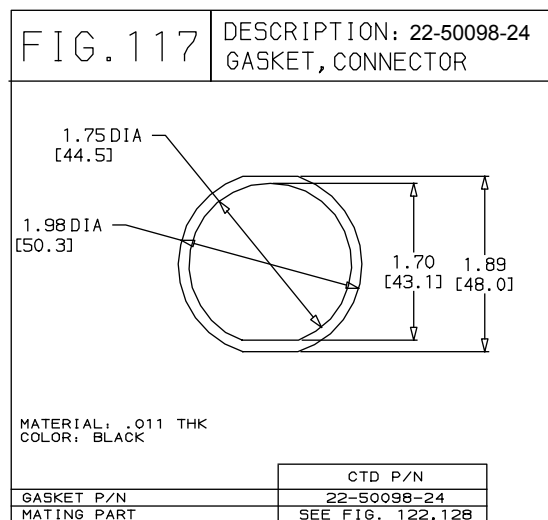
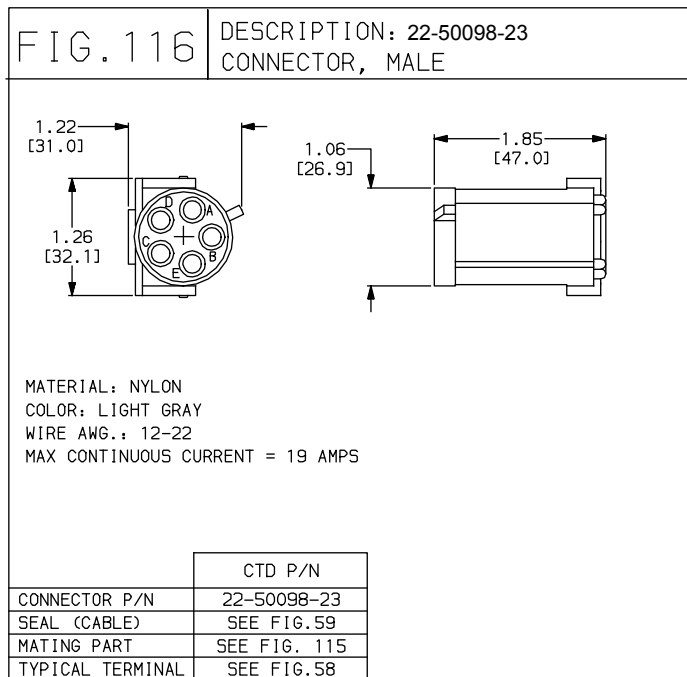
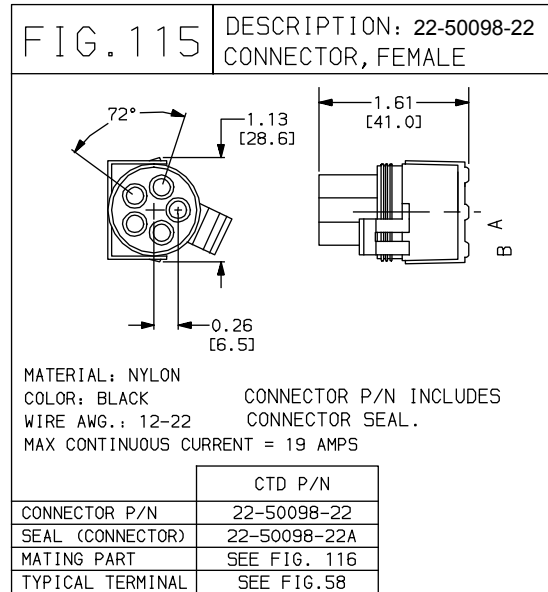
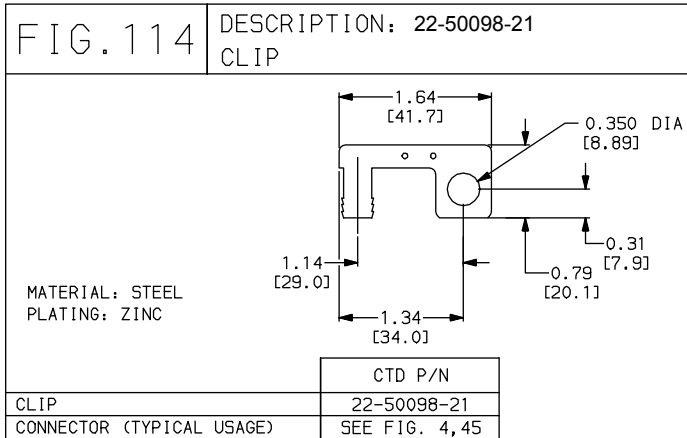
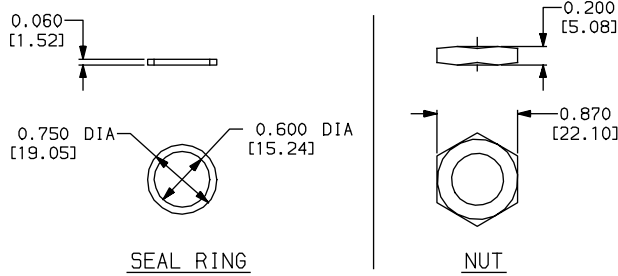
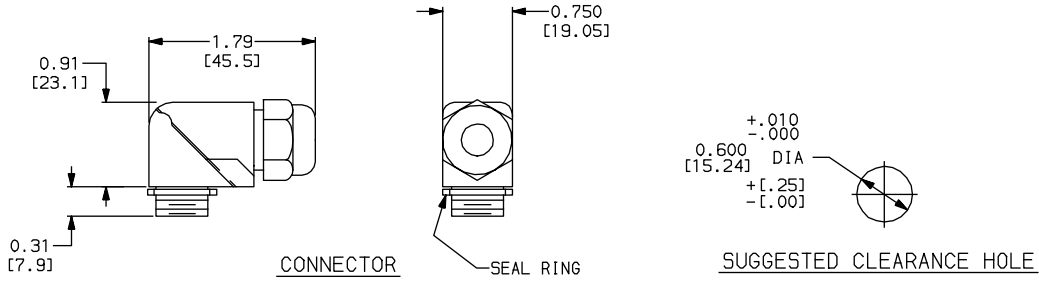


FIG. 112

DESCRIPTION: 22-50098-12, 22-50098-13, 22-50098-14, 22-50098-15
CONNECTOR, LIQUID TIGHT 90° SNAP ELBOW

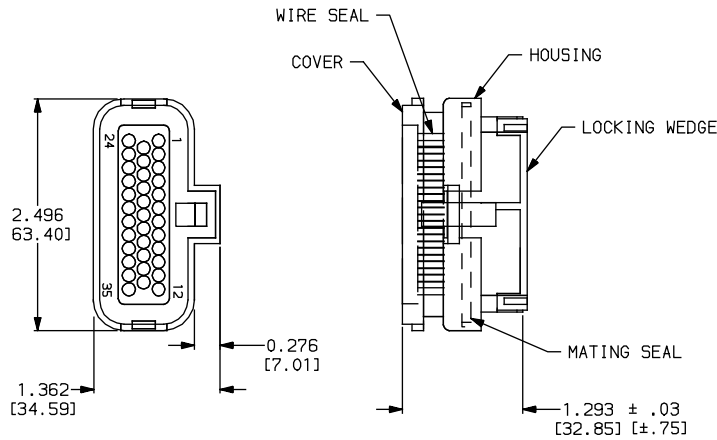


MATERIAL: FITTING & NUT - NYLON 6/6
SEAL RING - POLYETHYLENE
COLOR: BLACK
WORK TEMP.: -30°C TO 100°C
CABLE DIA. RANGE: MIN. DIA 0.187 [4.7]
MAX. DIA 0.300 [7.6]

	CTD P/N
CONNECTOR W/NUT	22-50098-12
CONNECTOR W/O NUT	22-50098-13
NUT	22-50098-14
SEAL RING	22-50098-15

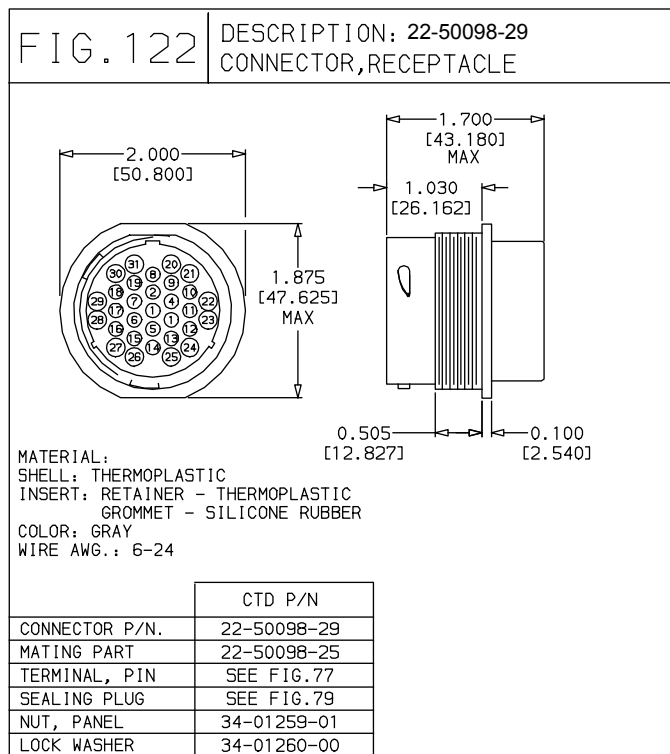
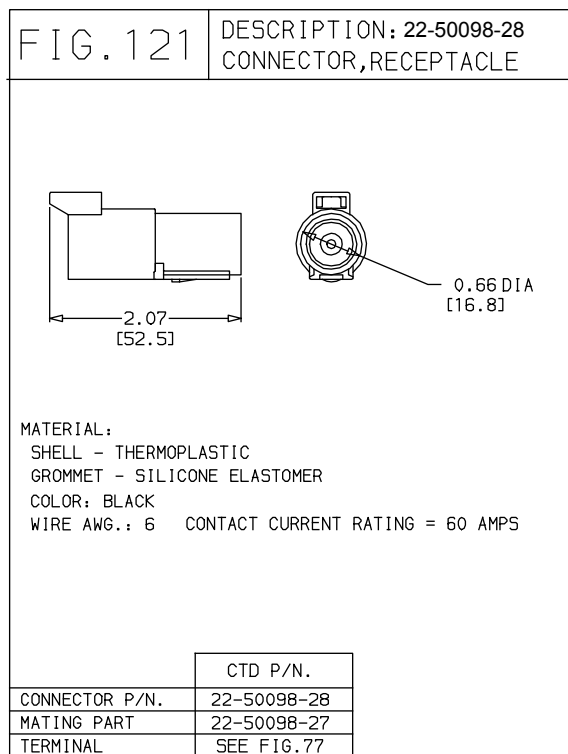
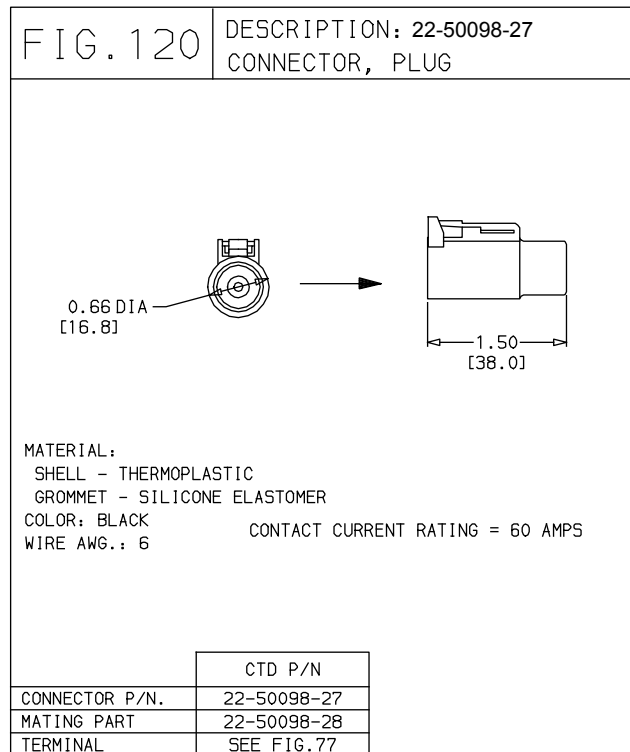
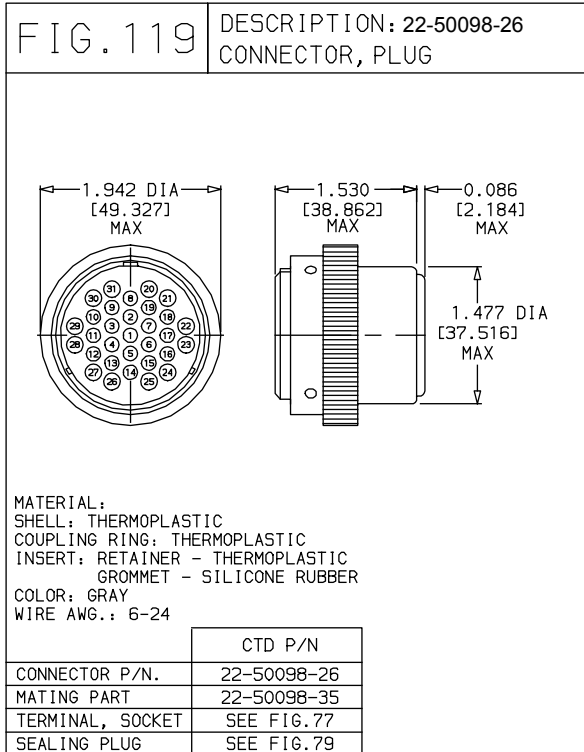
FIG. 113

DESCRIPTION: 22-50098-16, 22-50098-17,
22-50098-18, 22-50098-19,
22-50098-20
CONNECTOR, PLUG ASSY, 35-POSITION



MATERIAL:
HOUSING: THERMOPLASTIC
LOCKING WEDGE: THERMOPLASTIC (RED)
MATING & WIRE SEALS: SILICONE RUBBER (RED)
COVER: THERMOPLASTIC (BLACK)
SEAL PLUG: NYLON 6/6 (COLOR - NATURAL)
CONTACT: COPPER ALLOY (GOLD PLATED)

CONTACTS ACCEPT: 20 TO 16 AWG WIRE	CTD P/N
PLUG W/KEYING & COLOR CODING (BLACK)	22-50098-16
PLUG W/KEYING & COLOR CODING (NATURAL)	22-50098-17
PLUG W/KEYING & COLOR CODING (GRAY)	22-50098-18
TYPICAL CONTACT	22-50098-19
SEAL PLUG	22-50098-20



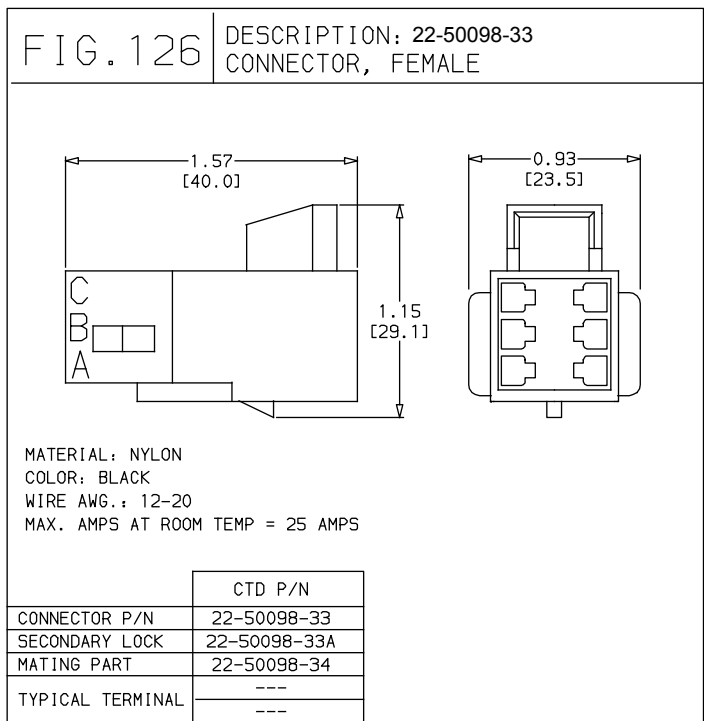
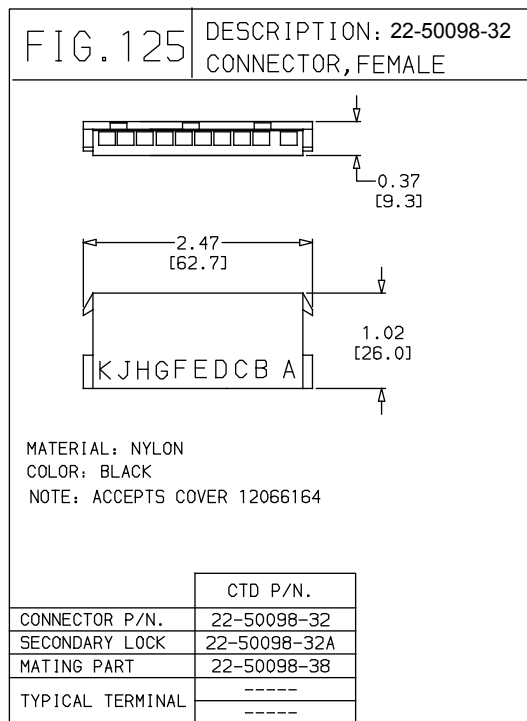
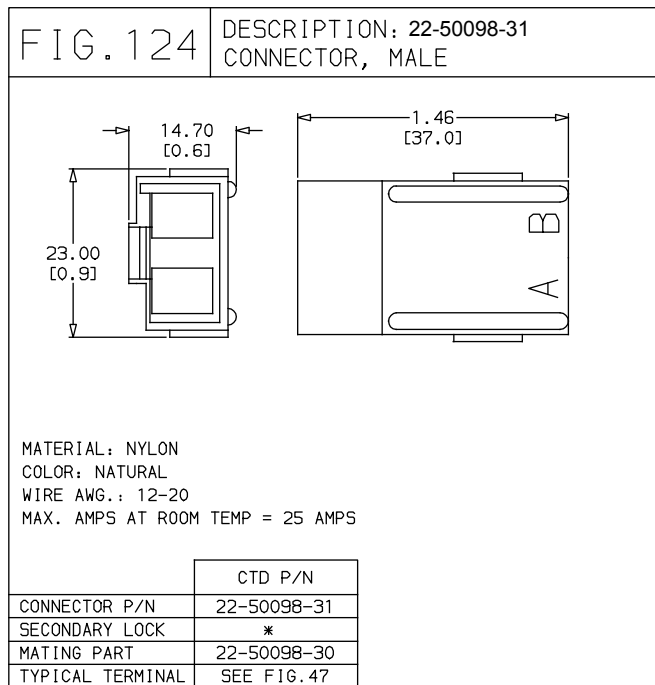
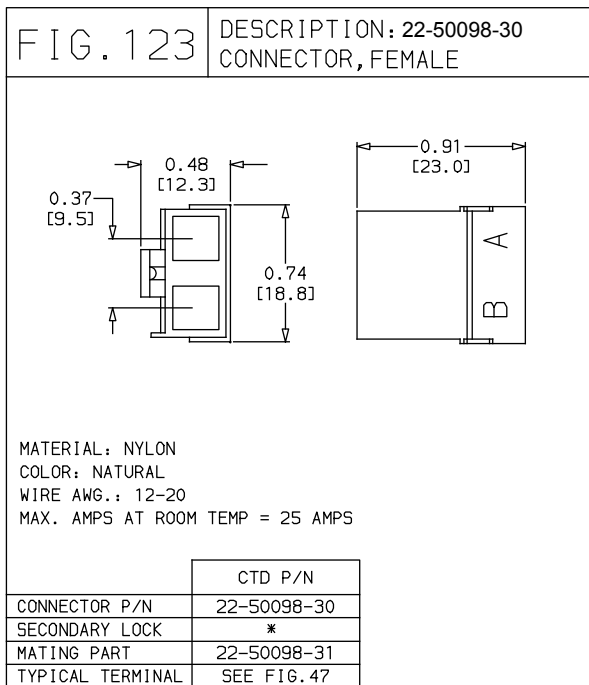
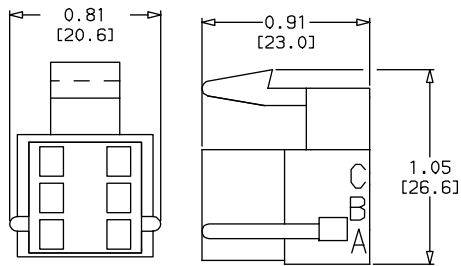


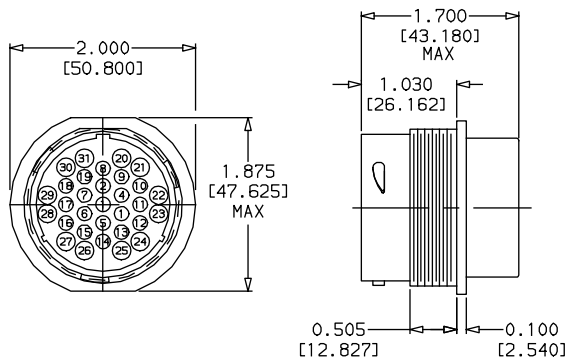
FIG. 127 DESCRIPTION: 22-50098-34
CONNECTOR, FEMALE



MATERIAL: NYLON
 COLOR: BLACK
 WIRE AWG.: 12-20
 MAX. AMPS AT ROOM TEMP = 25 AMPS

	CTD P/N
CONNECTOR P/N	22-50098-34
SECONDARY LOCK	22-50098-34A
MATING PART	22-50098-33
TYPICAL TERMINAL	---

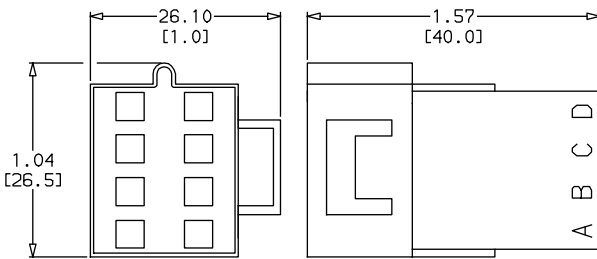
FIG. 128 DESCRIPTION: 22-50098-35
CONNECTOR, RECEPTACLE



MATERIAL:
 SHELL: THERMOPLASTIC
 INSERT: RETAINER - THERMOPLASTIC
 GROMMET - SILICONE RUBBER
 COLOR: GRAY
 WIRE AWG.: 6-24

	CTD P/N
CONNECTOR P/N.	22-50098-35
MATING PART	22-50098-26
TERMINAL, PIN	SEE FIG.77
SEALING PLUG	SEE FIG.79
NUT, PANEL	34-01259-01
LOCK WASHER	34-01260-00

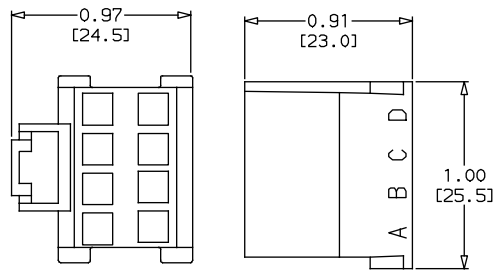
FIG. 129 DESCRIPTION: 22-50098-36
CONNECTOR, MALE



MATERIAL:
 COLOR: BLACK
 WIRE AWG.: 12-20
 MAX. AMPS AT ROOM TEMP = 25 AMPS

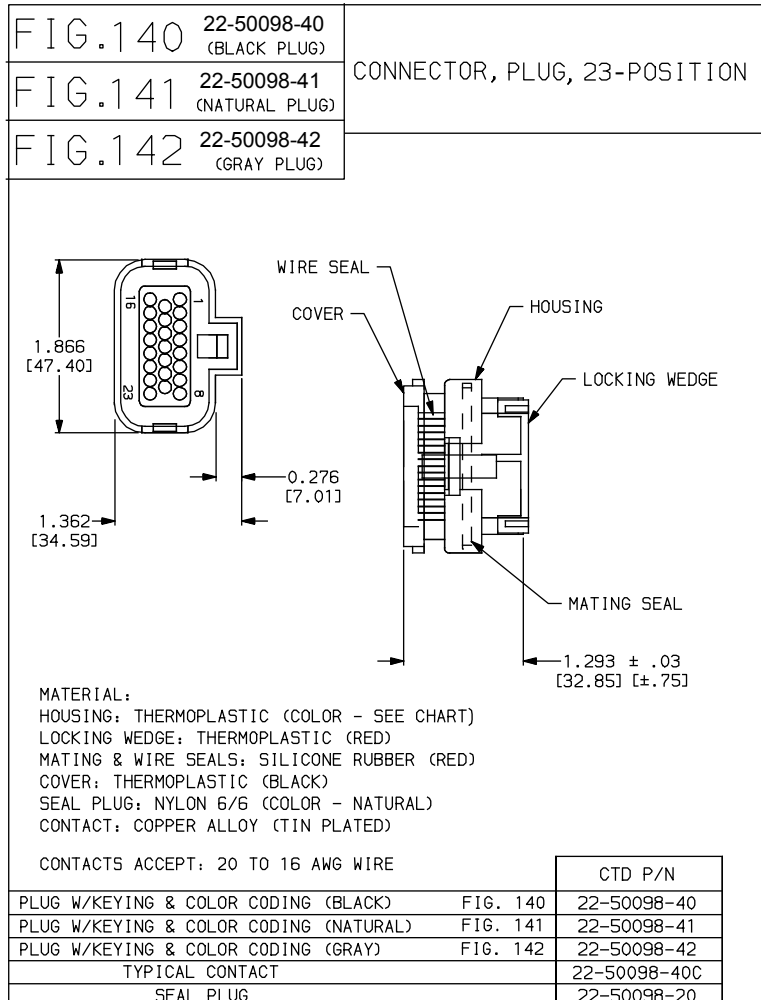
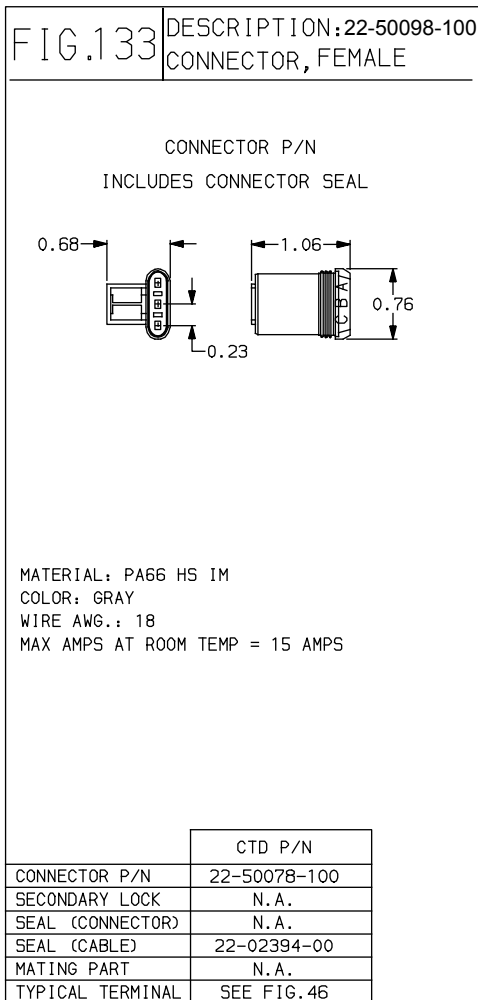
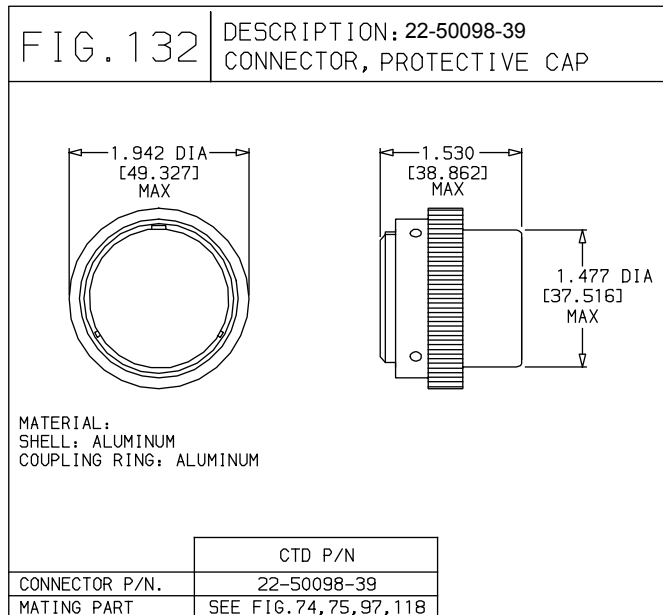
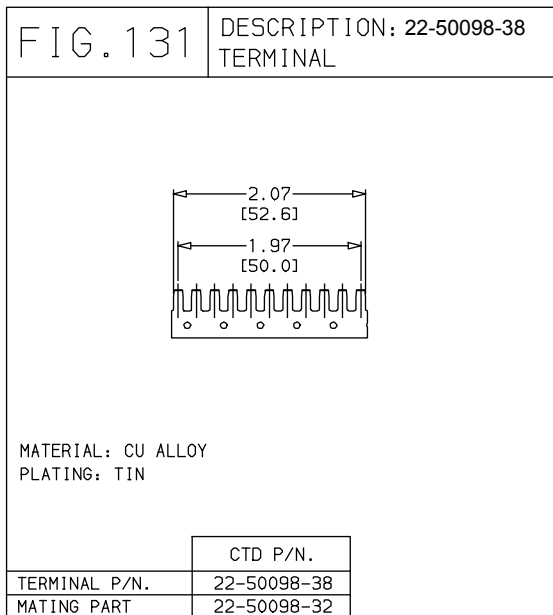
	CTD P/N
CONNECTOR P/N	22-50098-36
SECONDARY LOCK	22-50098-36A
MATING PART	22-50098-37
TYPICAL TERMINAL	SEE FIG.47

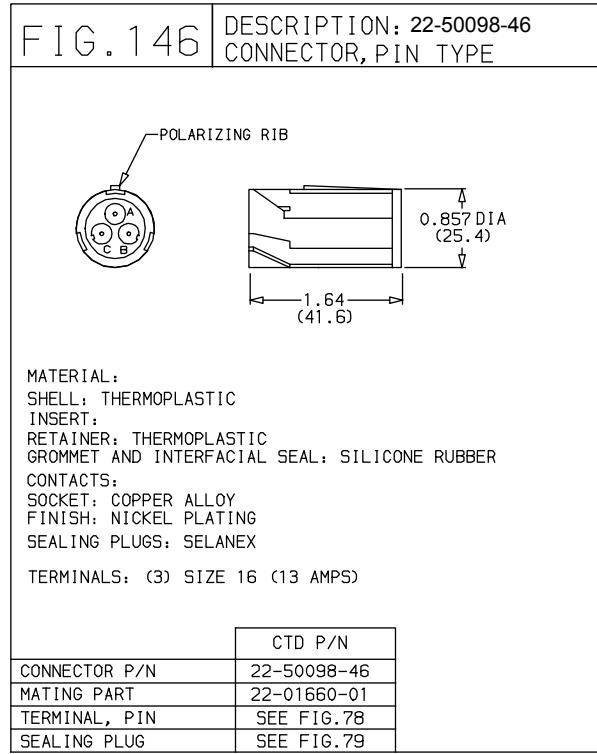
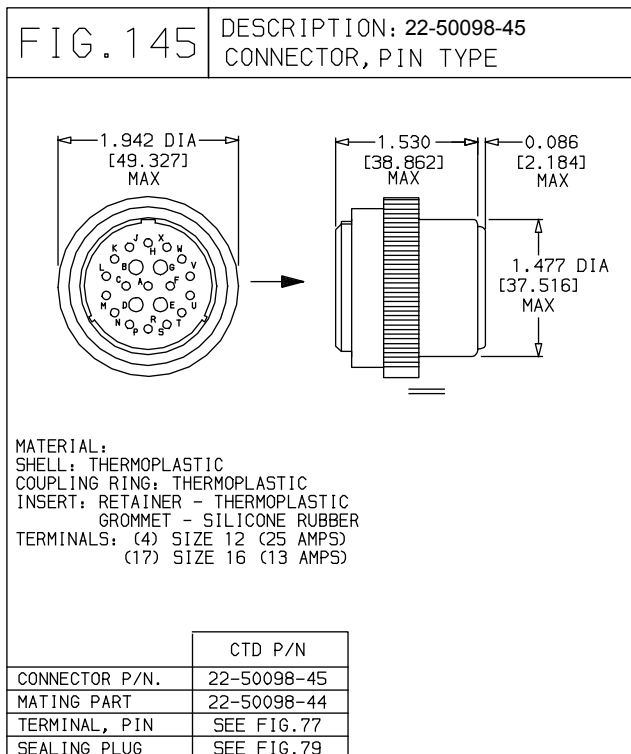
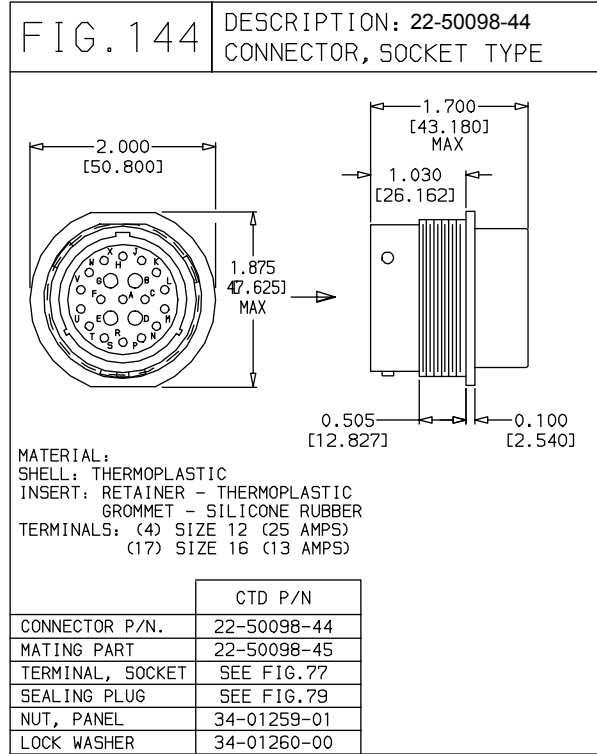
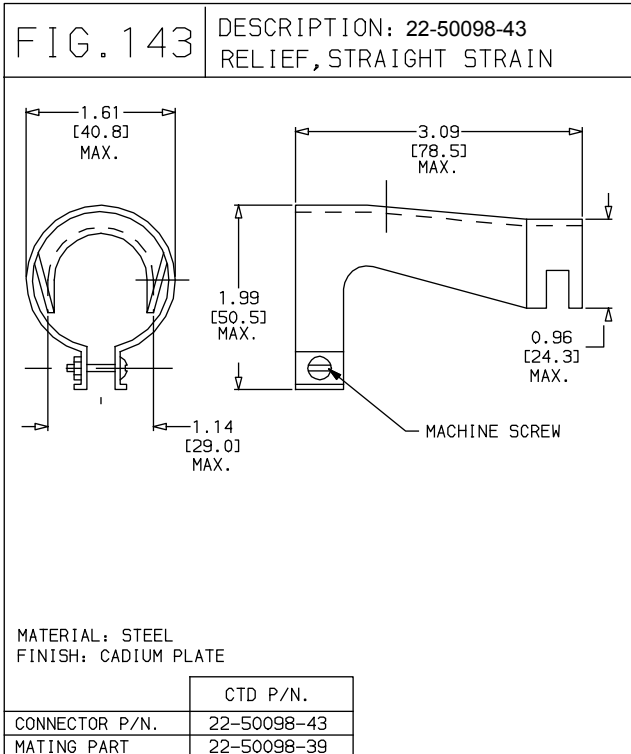
FIG. 130 DESCRIPTION: 22-50098-37
CONNECTOR, FEMALE

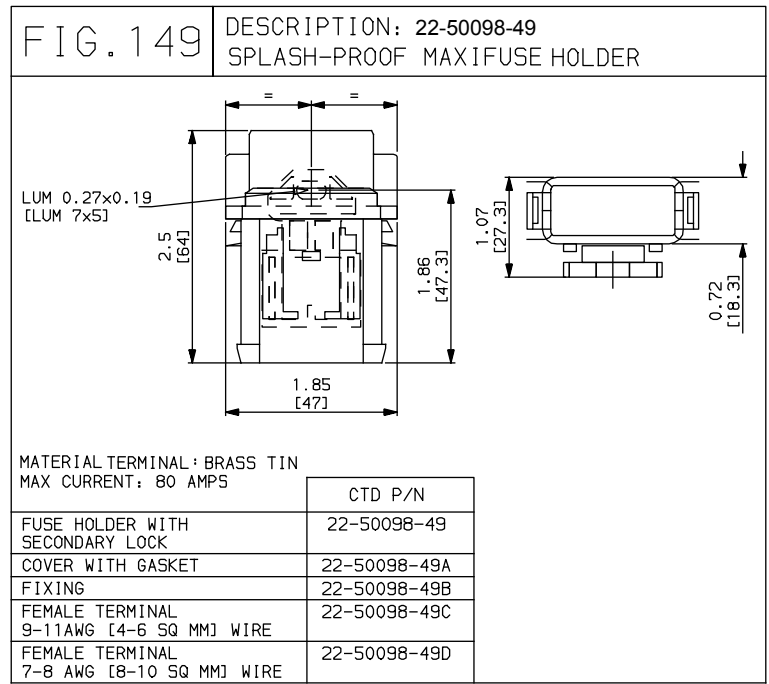
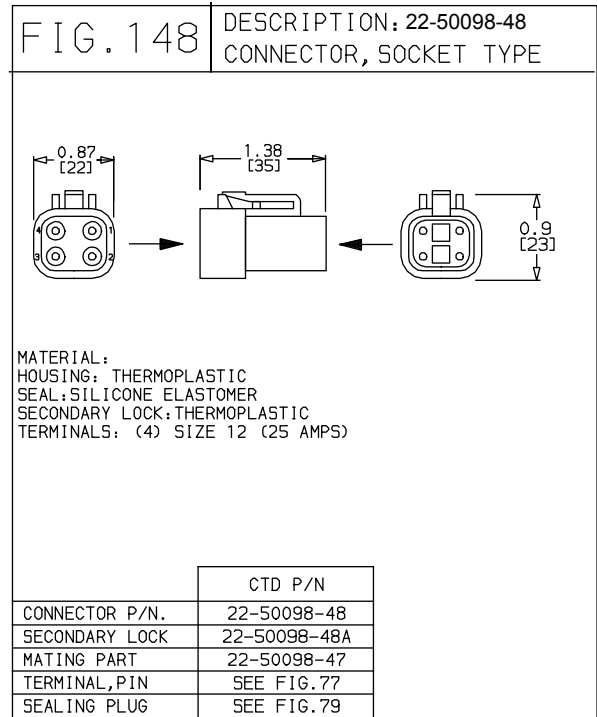
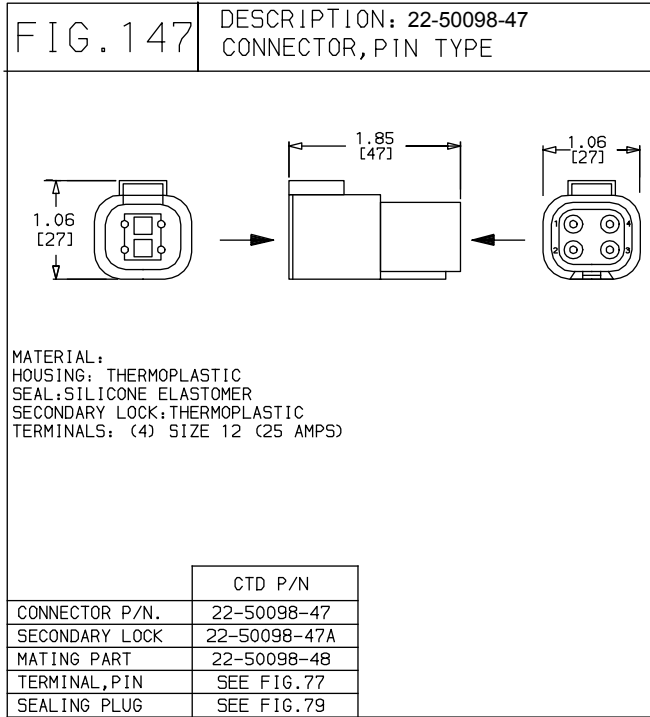


MATERIAL: NYLON
 COLOR: BLACK
 WIRE AWG.: 12-20
 MAX. AMPS AT ROOM TEMP = 25 AMPS

	CTD P/N
CONNECTOR P/N	22-50098-37
SECONDARY LOCK	22-50098-37A
MATING PART	22-50098-36
TYPICAL TERMINAL	SEE FIG.47







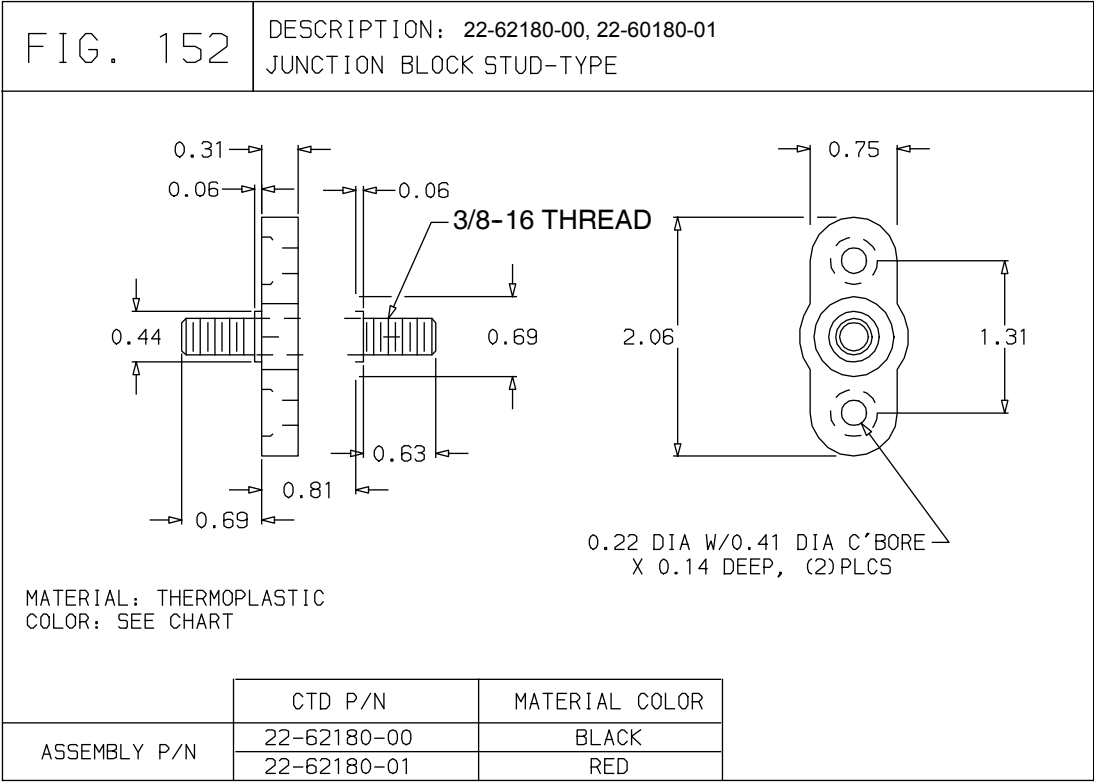
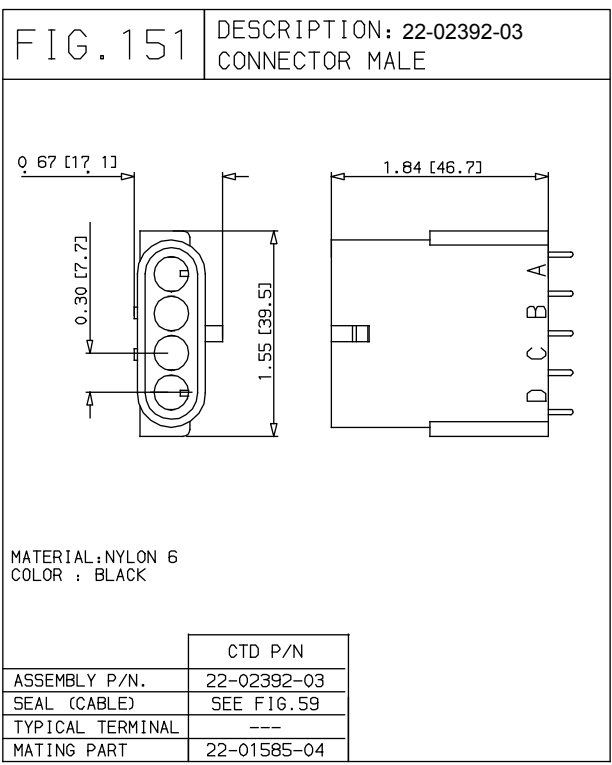
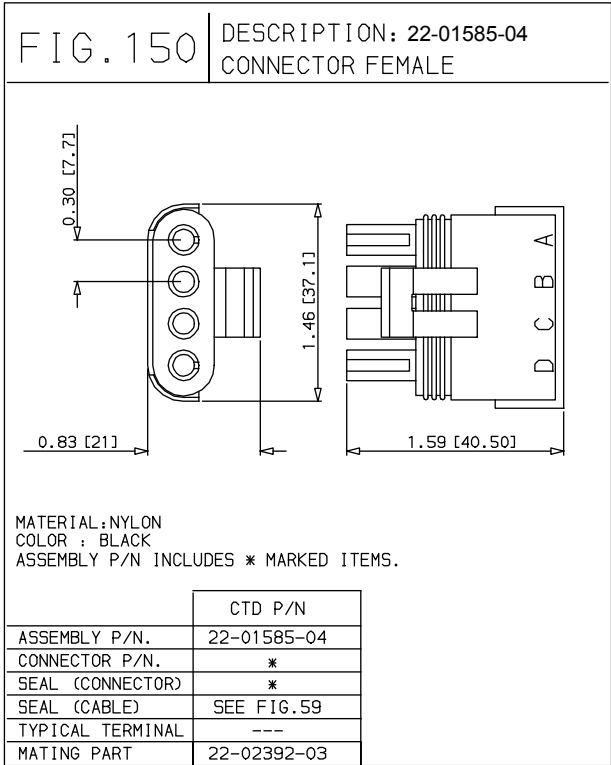
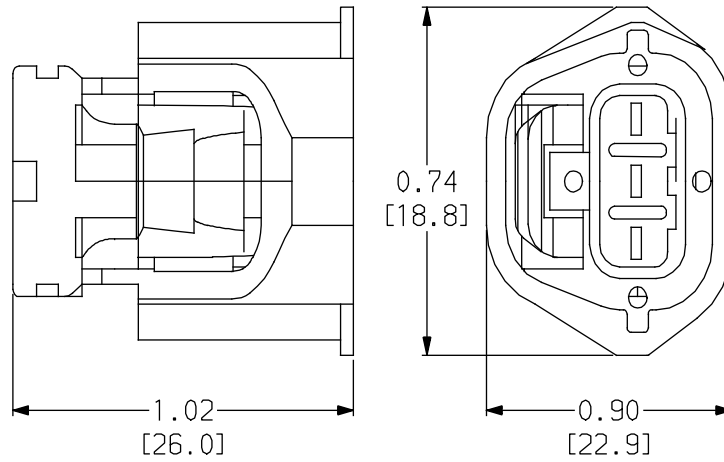


FIG. 153

DESCRIPTION: 22-50098-50
CONNECTOR, FEMALE



MATERIAL: NYLON 6
COLOR : GRAY

	CTD P/N
ASSEMBLY P/N.	22-50098-50
CONNECTOR P/N.	---
SEAL (CONNECTOR)	---
SEAL (CABLE)	SEE FIG. 154
TYPICAL TERMINAL	22-50098-50A
REAR HOLDER	---
MATING PART	---

FIG. 154

DESCRIPTION: 22-50098-50B
SEAL, CABLE

MATERIAL: SILICONE
COLOR: LIGHT GREEN

	CTD P/N
CAVITY P/N	22-50098-50B

FIG. 155

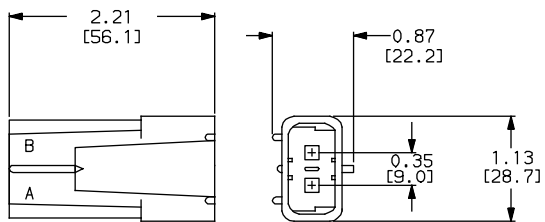
DESCRIPTION: 22-50098-50C
PLUG, CAVITY

MATERIAL: SILICONE
COLOR: LIGHT GREEN

	CTD P/N
CAVITY P/N	22-50098-50C

FIG. 156

DESCRIPTION: 22-50098-56
CONNECTOR, MALE

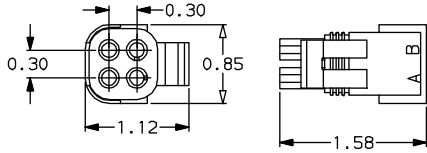


MATERIAL: NYLON 6/6 HTSB
COLOR: BLACK
WIRE AWG.: 10-20
MAX. AMPS AT ROOM TEMP = 46 AMPS

	CTD P/N
CONNECTOR P/N	22-50098-56
RETAINER	22-50098-56A
SEAL (CABLE)	22-50098-56B
MATING PART	22-50078-22
TYPICAL TERMINAL	SEE FIG. 49

FIG. 157

DESCRIPTION: 22-50098-57
CONNECTOR, FEMALE

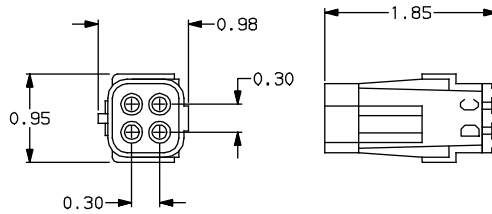


MATERIAL: NYLON 6
COLOR: BLACK
WIRE AWG.: 12-22
MAX CONTINUOUS CURRENT = 19 AMPS

	CTD P/N
CONNECTOR P/N	22-50098-57
SECONDARY LOCK	BUILT IN
SEAL (CONNECTOR)	22-50098-57B
SEAL (CABLE)	SEE FIG.59
MATING PART	22-50098-58
TYPICAL TERMINAL	SEE FIG.58

FIG. 158

DESCRIPTION: 22-50098-58
CONNECTOR, MALE

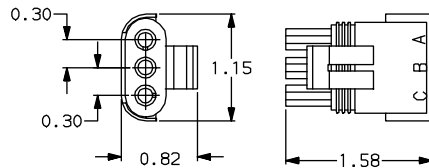


CONNECTOR P/N INCLUDES CONNECTOR SEAL.
MATERIAL: NYLON 6
COLOR: BLACK
WIRE AWG.: 12-22
MAX CONTINUOUS CURRENT = 19 AMPS

	CTD P/N
CONNECTOR P/N	22-50098-58
SEAL (CABLE)	SEE FIG.59
MATING PART	22-50098-57
TYPICAL TERMINAL	SEE FIG.58

FIG. 159

DESCRIPTION: 22-50098-59
CONNECTOR, FEMALE

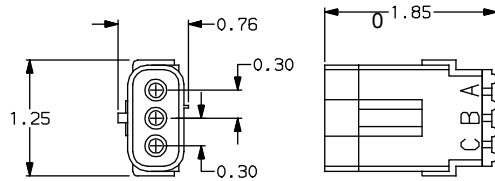


MATERIAL: NYLON 6
COLOR: BLACK
WIRE AWG.: 12-22
MAX CONTINUOUS CURRENT = 19 AMPS

	CTD P/N
CONNECTOR P/N	22-50098-59
SECONDARY LOCK	BUILT IN
SEAL (CONNECTOR)	22-50098-59B
SEAL (CABLE)	SEE FIG.59
MATING PART	22-50098-60
TYPICAL TERMINAL	SEE FIG.58

FIG. 160

DESCRIPTION: 22-50098-60
CONNECTOR, MALE



CONNECTOR P/N INCLUDES CONNECTOR SEAL.

MATERIAL: NYLON 6
COLOR: BLACK
WIRE AWG.: 12-22
MAX CONTINUOUS CURRENT = 19 AMPS

	CTD P/N
CONNECTOR P/N	22-50098-60
SEAL (CABLE)	SEE FIG.59
MATING PART	22-50098-59
TYPICAL TERMINAL	SEE FIG.58

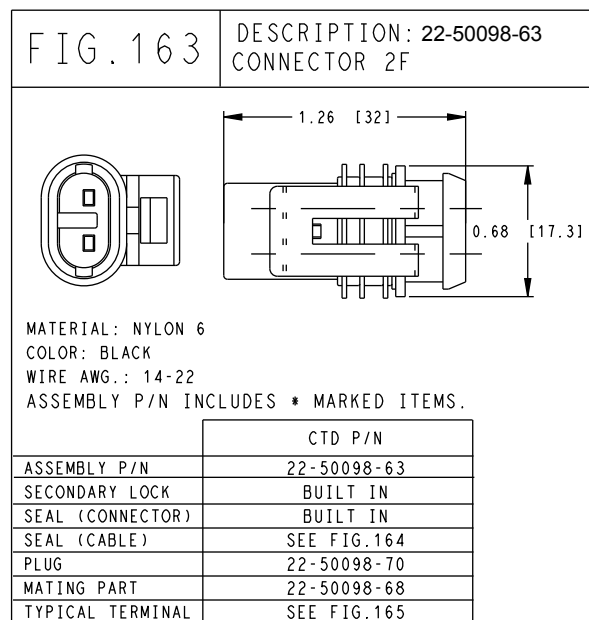
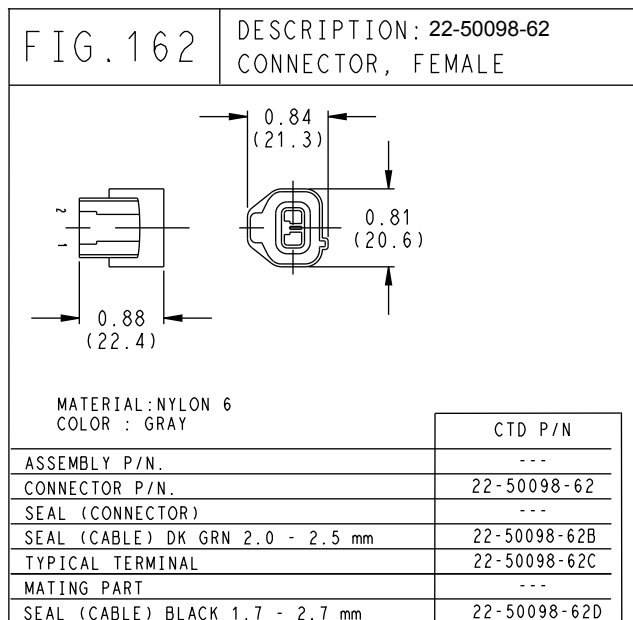
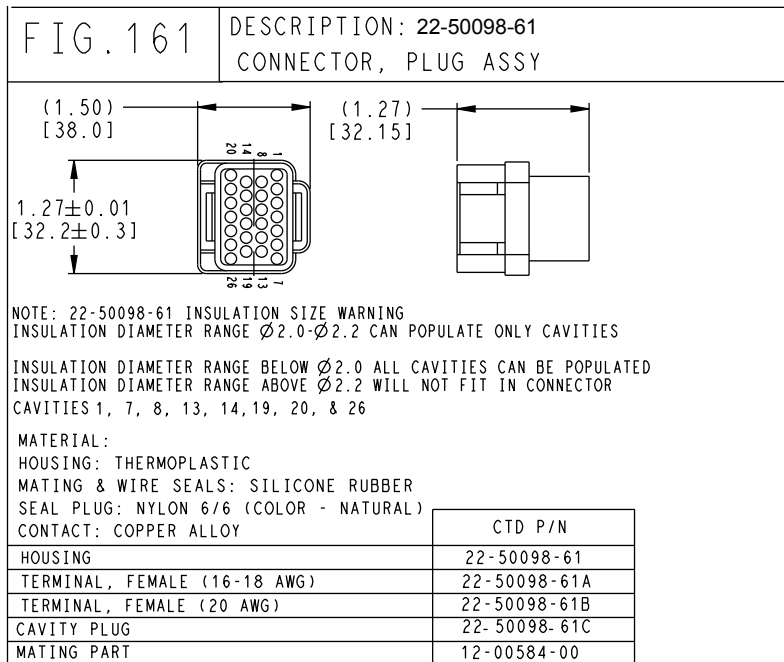


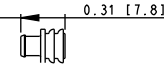
FIG. 164			DESCRIPTION: 22-50098-64 SEAL CABLE
MATERIAL: SILICON RUBBER			
CABLE DIA (MM)	COLOR	CTD P/N	
1.4 - 1.7	GREEN	22-50098-64A	
1.8 - 2.4	YELLOW	22-50098-64B	
2.6 - 3.3	RED	22-50098-64C	

FIG. 165			DESCRIPTION: 22-50098-65 SOCKET
MATERIAL: PRE-TIN PLATED BRASS			
GAUGE	CABLE DIA. (MM)	CTD P/N	
22-20	1.4 - 1.7	22-50098-65A	
20-16	1.8 - 3.3	22-50098-65B	
16-14	1.8 - 3.3	22-50098-65C	

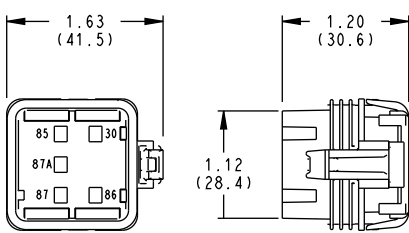
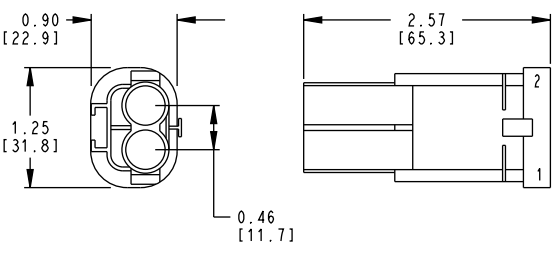
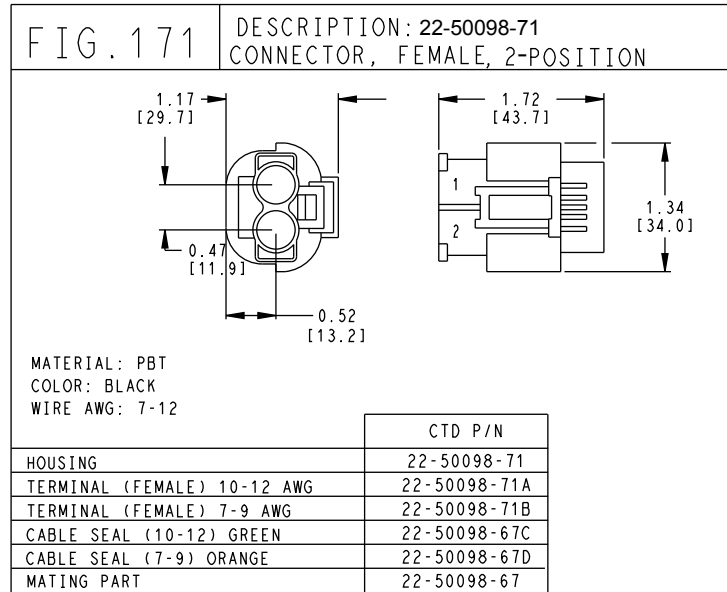
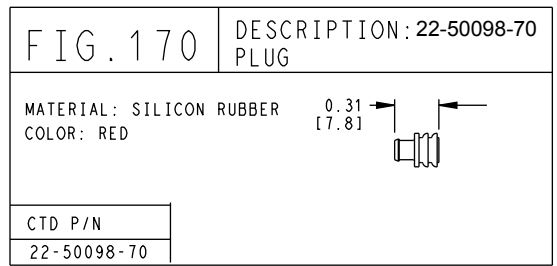
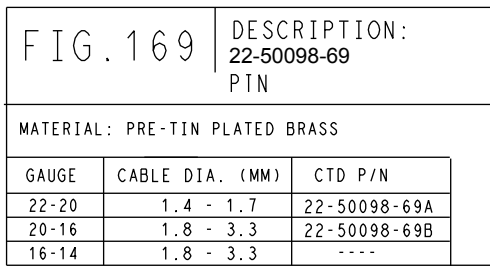
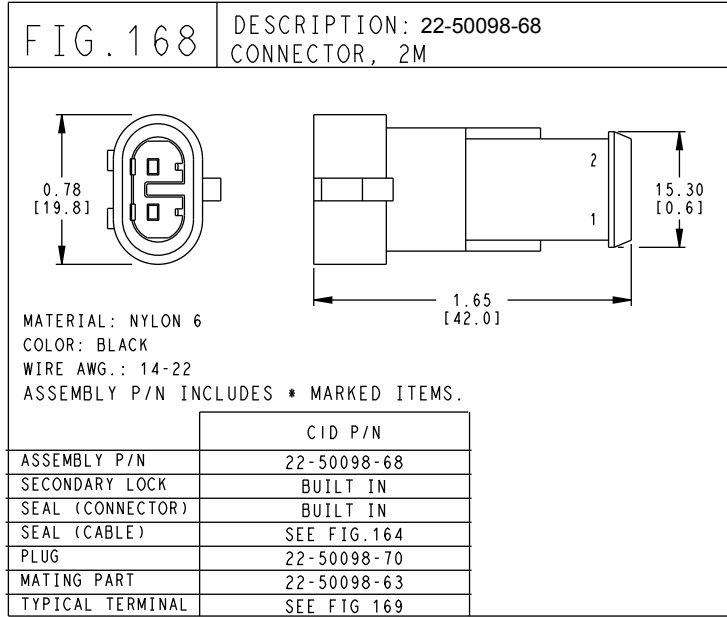
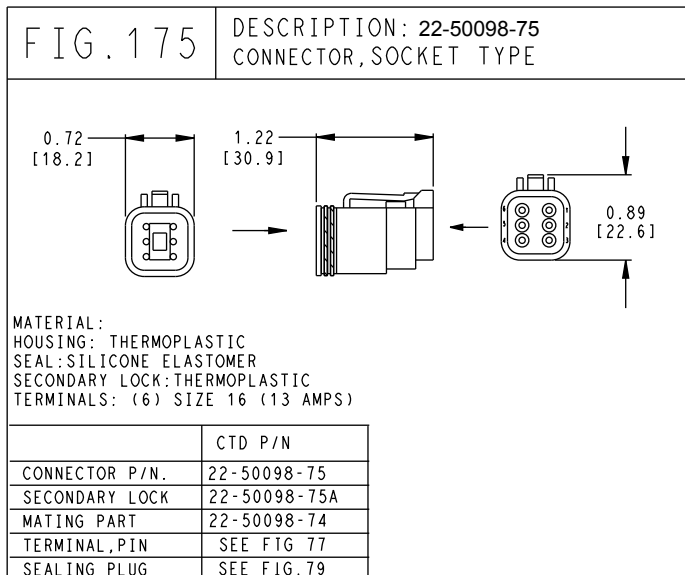
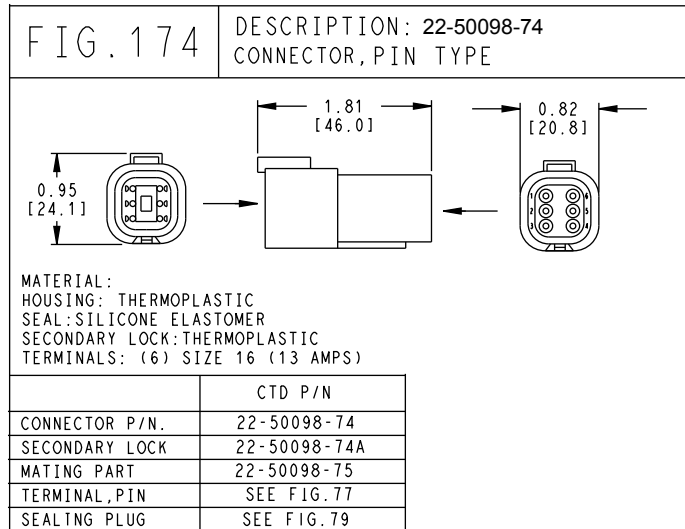
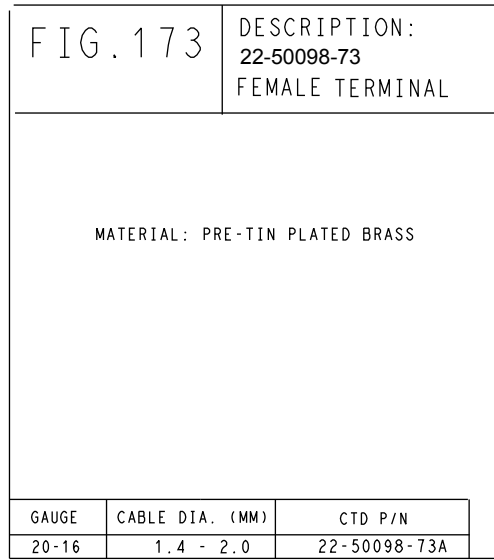
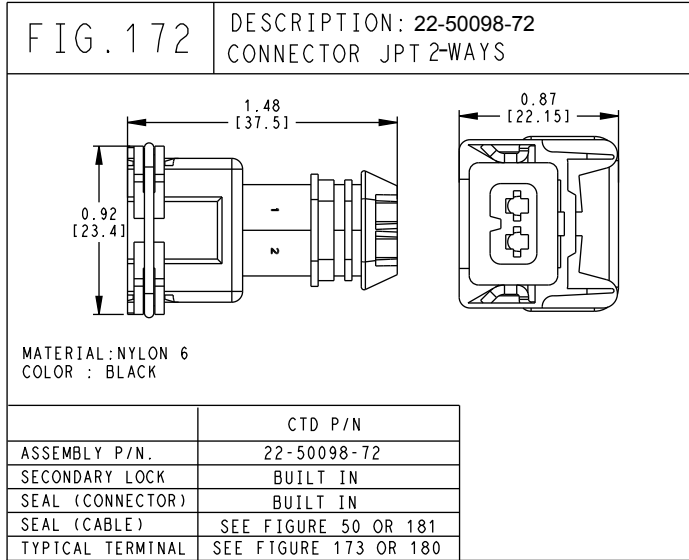
FIG. 166		DESCRIPTION: 22-50098-66 CONNECTOR, FEMALE, RELAY, 280 MP
		
		CTD P/N
CONNECTOR P/N.		22-50098-66
SECONDARY LOCK		22-50098-66A
LOCK (CPA)		22-50098-66B
SEAL (CONNECTOR)		---
SEAL (CABLE)		SEE FIG. 51
TYPICAL TERMINAL		SEE FIG. 47

FIG. 167		DESCRIPTION: 22-50098-67 CONNECTOR, MALE, 2-POSITION
		
MATERIAL: PBT		
COLOR: BLACK		
WIRE AWG: 7-12		
		CTD P/N
HOUSING		22-50098-67
TERMINAL (MALE) 10-12 AWG		22-50098-67A
TERMINAL (MALE) 7-9 AWG		22-50098-67B
CABLE SEAL (10-12) GREEN		22-50098-67C
CABLE SEAL (7-9) ORANGE		22-50098-67D
MATING PART		22-50098-71





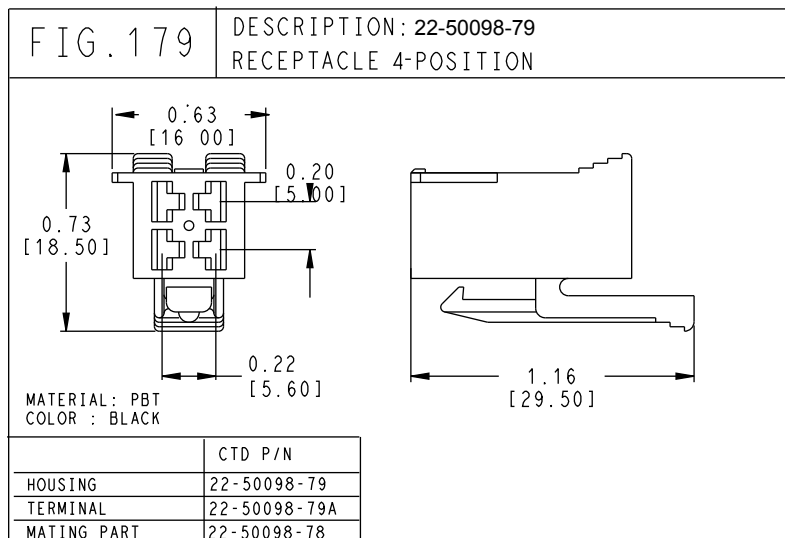
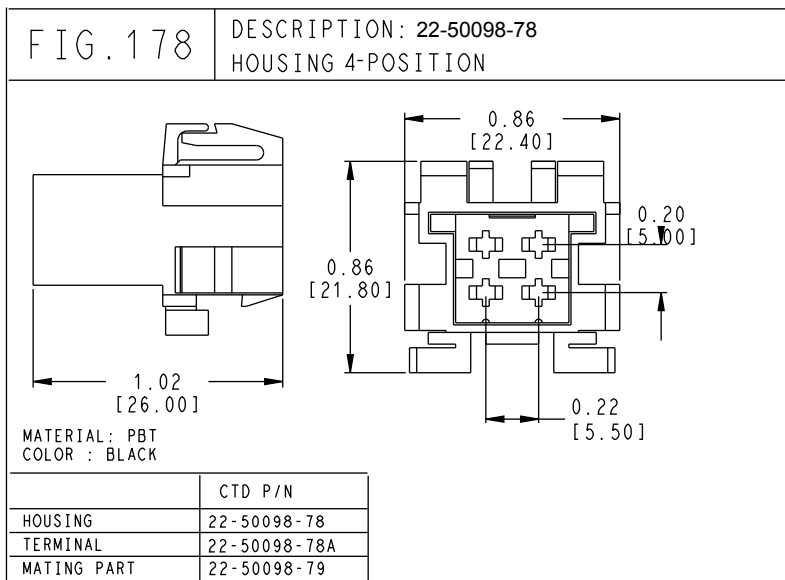
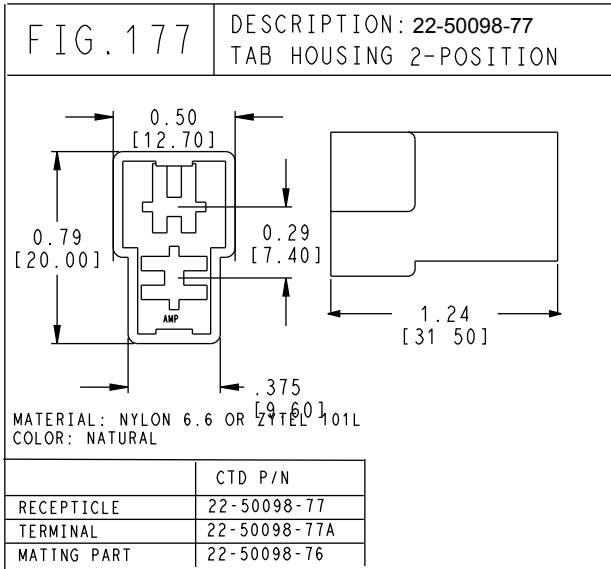
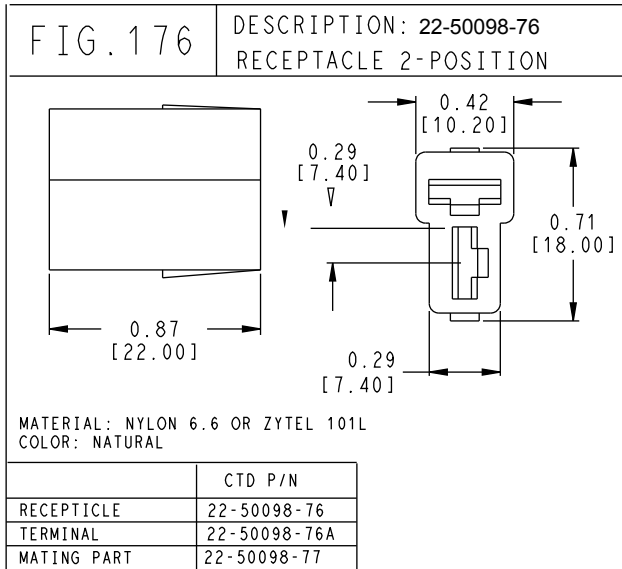



FIG. 180		DESCRIPTION: 22-50098-80 FEMALE CONTACT	
MATERIAL: CuFe2 PRE-TIN PLATED SINGLE WIRE SEALING & SECONDARY LOCK			
			
GAUGE	CABLE DIA. (mm)	SEALS, CABLE CTD P/N ASSOCIATED	CTD P/N
20-18	1.2 - 2.1	22-50098-81A	22-50098-80A
18-10	2.2 - 3.0	22-50098-81B	22-50098-80B


FIG. 181		DESCRIPTION: 22-50098-81 SEALS, CABLE	
MATERIAL: SILICON			
			
CABLE DIAM (mm)	COLOR	CTD P/N	
1.2 - 2.1	BLUE	22-50098-81A	
2.2 - 3.0	WHITE	22-50098-81B	

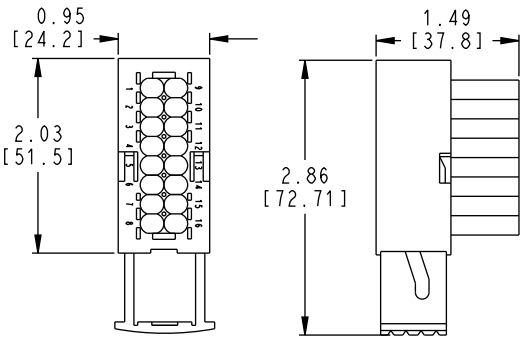
FIG. 182		DESCRIPTION: 22-50098-82 CONNECTOR, FEMALE 16-WAY	
			
MATERIAL: PBT/ASA-GF30 (FOR HOUSING) PBT-GF30 (FOR SECONDARY LOCK) COLOR: BLACK (FOR HOUSING) RED (FOR SECONDARY LOCK) ASSEMBLY P/N INCLUDES * MARKED ITEMS			
	CTD P/N		
ASSEMBLY P/N	22-50098-82		
SECONDARY LOCK	* BUILT IN		
SEAL (CABLE)	SEE FIG.181		
PLUG CAVITY	SEE FIG.183		
TYPICAL TERMINAL	SEE FIG.180		


FIG. 183		DESCRIPTION: 22-50098-83 PLUG, CAVITY CONNECTOR	
MATERIAL: SILICON COLOR: NATURAL			
			
	CTD P/N		
CAVITY P/N	22-50098-83A		

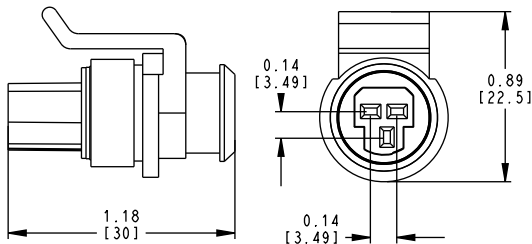
FIG. 184		DESCRIPTION: 22-50098-84 CONNECTOR, FEMALE	
			
MATERIAL: NYLON 6.6 COLOR: BLACK			
	CTD P/N		
ASSEMBLY P/N	22-50098-84		
SECONDARY LOCK	* BUILT IN		
SEAL (CONNECTOR)	* BUILT IN		
TYPICAL TERMINAL	SEE FIG.185		

FIG. 185		DESCRIPTION: 22-50098-85 FEMALE CONTACT	
MATERIAL: TIN PLATED SINGLE WIRE SEALING			
GAUGE	CABLE DIA. (mm)	SEALS, CABLE CTD P/N ASSOCIATED	CTD P/N
22-20	1.85 - 1.2	22-50098-86A	22-50098-85A
18-16	2.25 - 1.7	22-50098-86B	22-50098-85B

FIG. 186		DESCRIPTION: 22-50098-86 SEALS, CABLE	
MATERIAL: SILICONE			
CABLE DIAM (mm)	COLOR	CTD P/N	
1.47 - 1.85	GREEN	22-50098-86A	
1.7 - 2.1	YELLOW	22-50098-86B	

FIG. 187		DESCRIPTION: 22-50098-87 PLUG, CAVITY	
MATERIAL: SILICONE COLOR: ORANGE			
	CTD P/N		
CAVITY P/N	22-50098-87A		

FIG. 188		DESCRIPTION: 22-50098-88 FEMALE TERMINALS	
MATERIAL: CuSn SURFACE COATING : Sn			
	GAUGE	CTD P/N	
FEMALE TERMINAL	16-14	22-50098-88A	
	13-9	22-50098-88B	
FEMALE TERMINAL WITH CLIP	20-15	22-50098-88C	
	14-12	22-50098-88D	
	9-6	22-50098-88E	

FIG. 189		DESCRIPTION: 22-50098-89 FUSEHOLDER UNIVAL	
MATERIAL : FUSEHOLDER : PA66 COVER : PA6 V0 FIXING PLATE : PS SECONDARY LOCK : PBT/GF20 MAX CURRENT : 30 AMPS			
	AMPS	CTD P/N	
FUSEHOLDER WITH SECONDARY LOCK, SILICON GASKET, COVER	5	22-50098-89A	
	7.5	22-50098-89B	
	10	22-50098-89C	
	15	22-50098-89D	
	20	22-50098-89E	
	25	22-50098-89F	
30	22-50098-89G		
FIXING	.	SEE FIG. 149	
FEMALE TERMINALS	.	SEE FIG. 188	

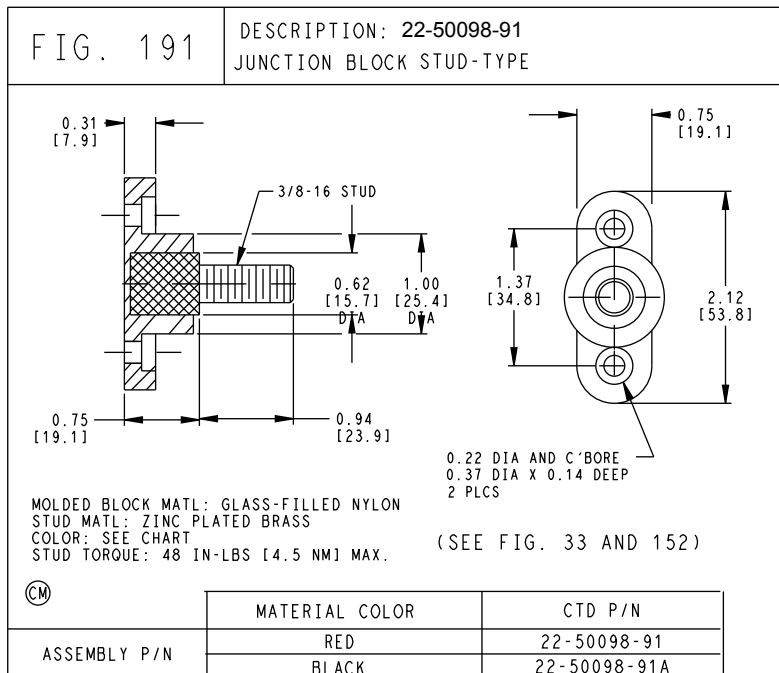
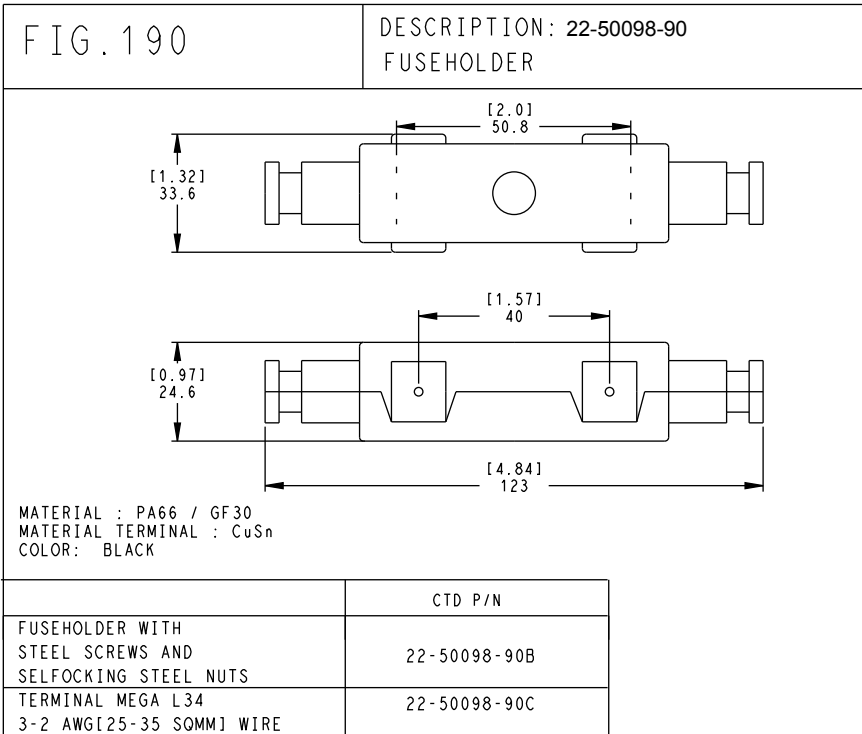
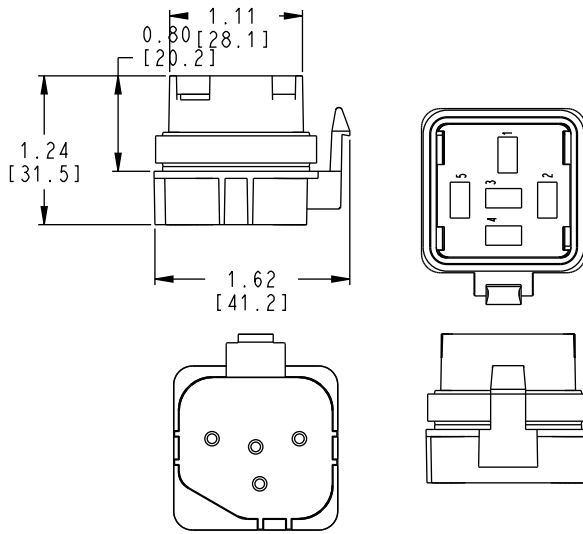


FIG. 192

DESCRIPTION: 22-50098-92
CONNECTOR, FEMALE RELAY

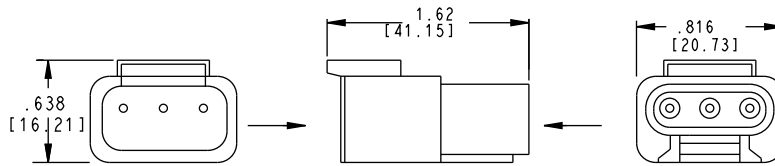


MATERIAL: NYLON 6
COLOR: BLACK
ASSEMBLY P/N INCLUDES * MARKED ITEMS

	CTD P/N
ASSEMBLY P/N	22-50098-92
CONNECTOR P/N	22-50098-92A
SEAL (CONNECTOR)	22-50098-92B
SEAL (CABLE)	22-50098-92C
TYPICAL TERMINAL	SEE FIG. 49
MATING PART (RELAY)	10-00286-15

FIG. 193

DESCRIPTION: 22-50098-93
CONNECTOR, PIN TYPE



MATERIAL:
HOUSING: THERMOPLASTIC
SEAL: SILICONE ELASTOMER
SECONDARY LOCK: THERMOPLASTIC
TERMINALS: (3) SIZE 16-24 (7.5 AMPS)

	CTD P/N
CONNECTOR P/N	22-50098-93
SECONDARY LOCK	22-50098-93A
MATING PART	22-50098-94
TERMINAL, PIN	SEE FIG. 77
SEALING PLUG	SEE FIG. 79

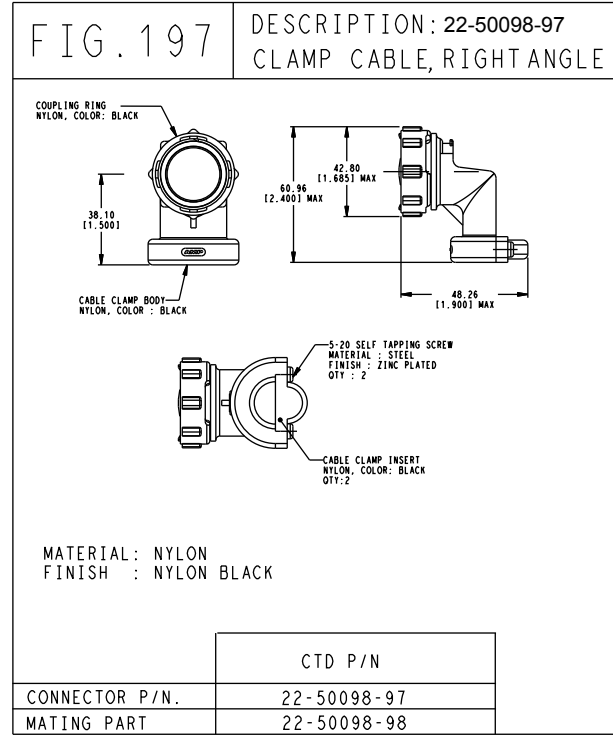
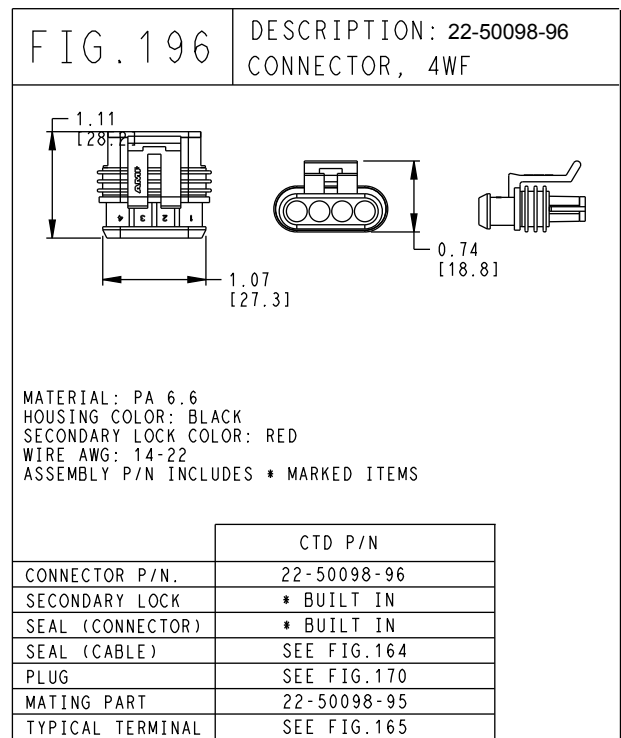
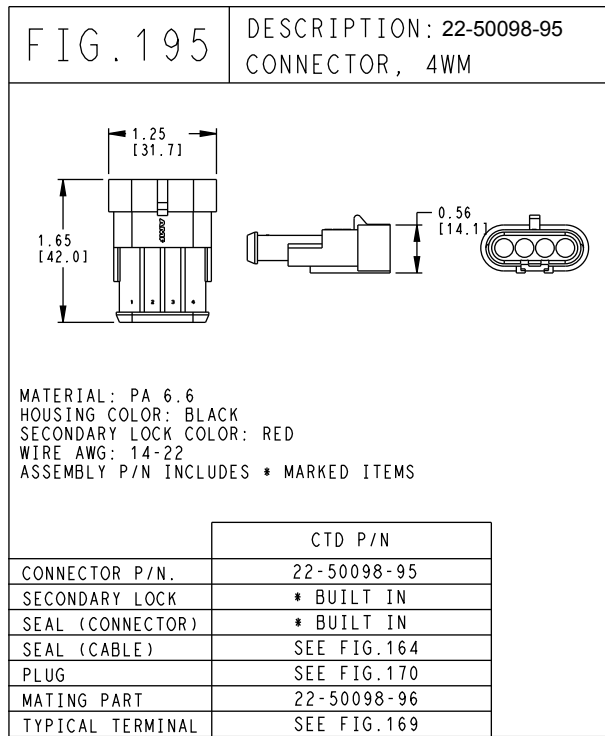
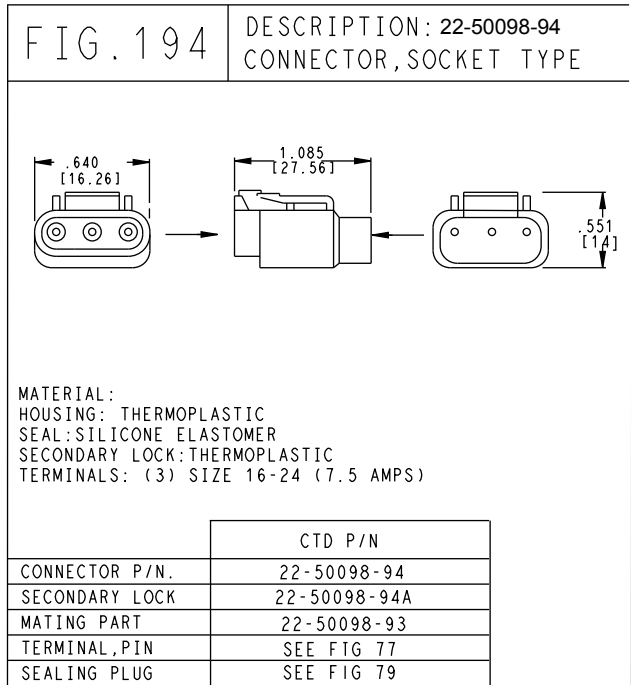
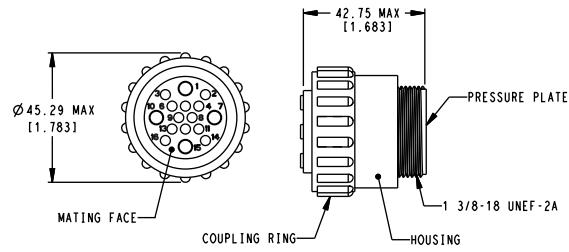


FIG. 198

DESCRIPTION: 22-50098-98
PLUG ASSY, SIZE 23-16

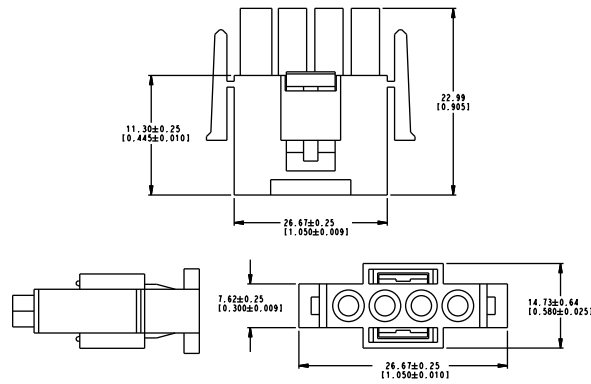


MATERIAL: NYLON
SECONDARY LOCK COLOR: BLACK
WIRE AWG: 8-22

	CTD P/N
CONNECTOR P/N.	22-50098-98
SECONDARY LOCK	* BUILT IN
SEAL (CONNECTOR)	* BUILT IN
SEAL (CABLE)	* BUILT IN
MATING PART	
TYPICAL TERMINAL	22-50098-98A

FIG. 199

DESCRIPTION: 22-50098-99
PLUG HOUSING KIT, 4-CIRCUIT, IN-LINE

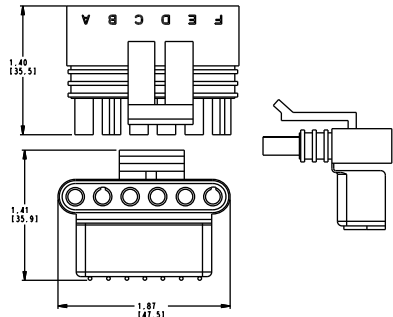


MATERIAL: NYLON, UL94V-0

	CTD P/N
CONNECTOR P/N.	22-50098-99
MATING P/N.	22-50099-02
TERMINAL P/N.	22-50098-99A

FIG. 200

DESCRIPTION: 22-50099-00
CONNECTOR, FEMALE

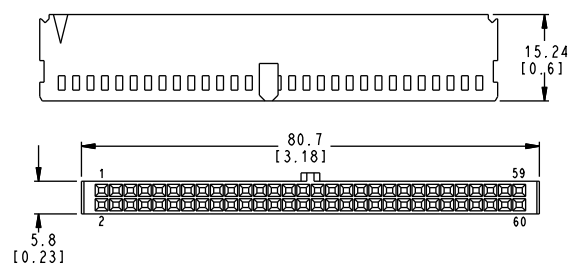


MATERIAL: NYLON 6
COLOR : BLACK

	CTD P/N
CONNECTOR P/N.	22-50099-00
SEAL (CONNECTOR)	---
SEAL (CABLE)	SEE FIG 59
TYPICAL TERMINAL	---
MATING PART	22-50099-09

FIG. 201

DESCRIPTION: 22-50099-01
CONNECTOR 60-WAY

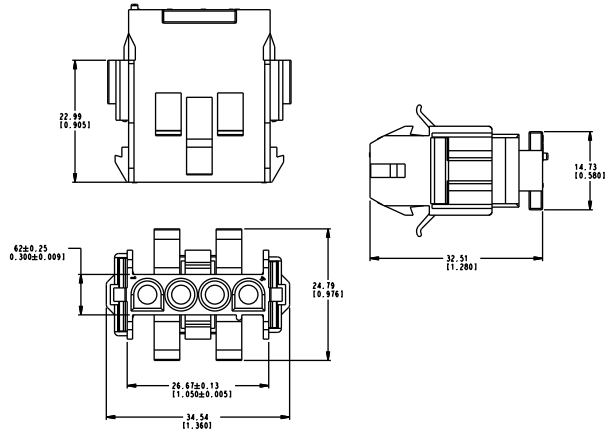


MATERIAL:
HOUSING: THERMOPLASTIC
AWG: 20 TO 32

	CTD P/N
CONNECTOR P/N	22-50099-01
TERMINAL P/N	22-50099-01A

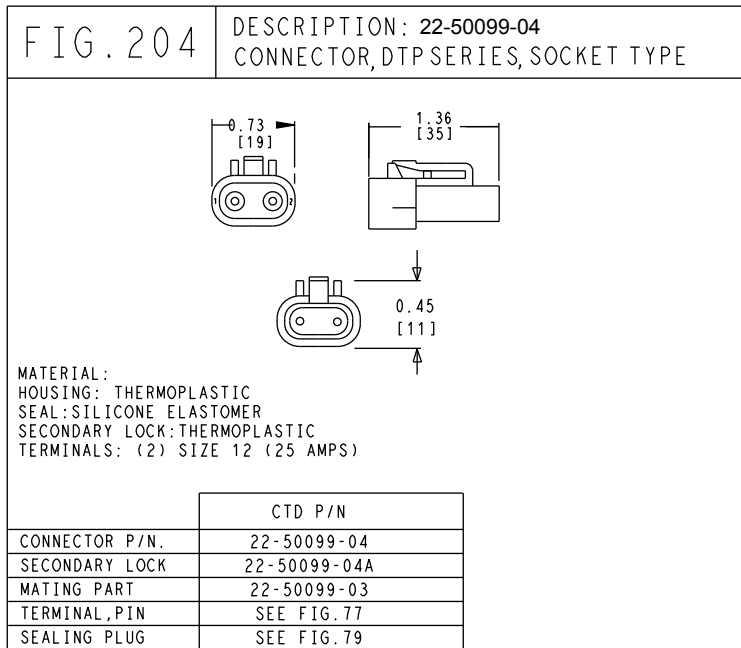
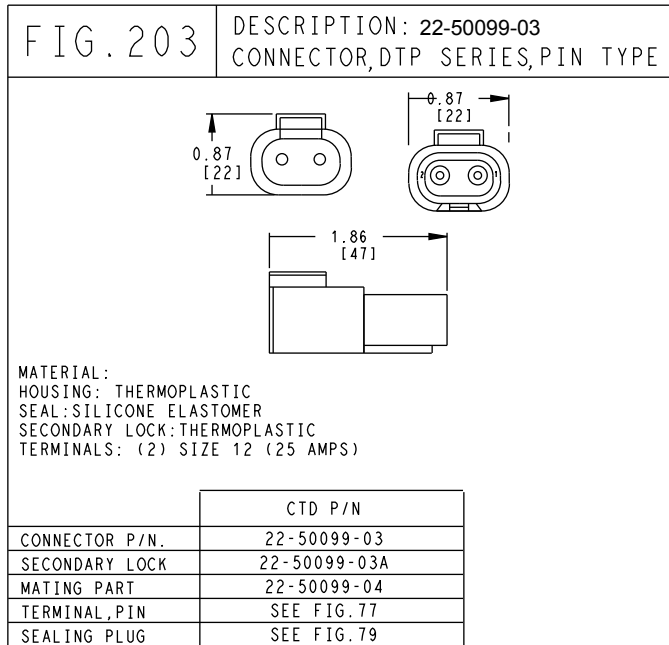
FIG. 202

DESCRIPTION: 22-50099-02
CAP HOUSING KIT 4-CIRCUIT, IN-LINE



MATERIAL: NYLON, UL94V-0

	CTD P/N
CONNECTOR P/N.	22-50099-02
MATING P/N.	22-50098-99
TERMINAL P/N.	22-50099-02A



0099-04

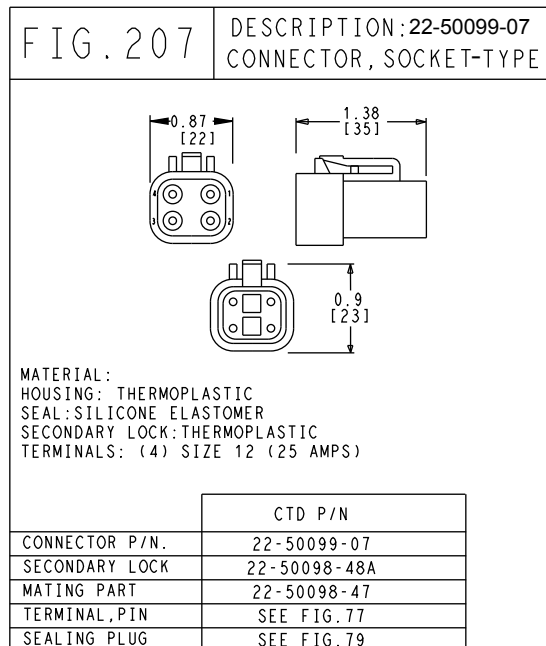
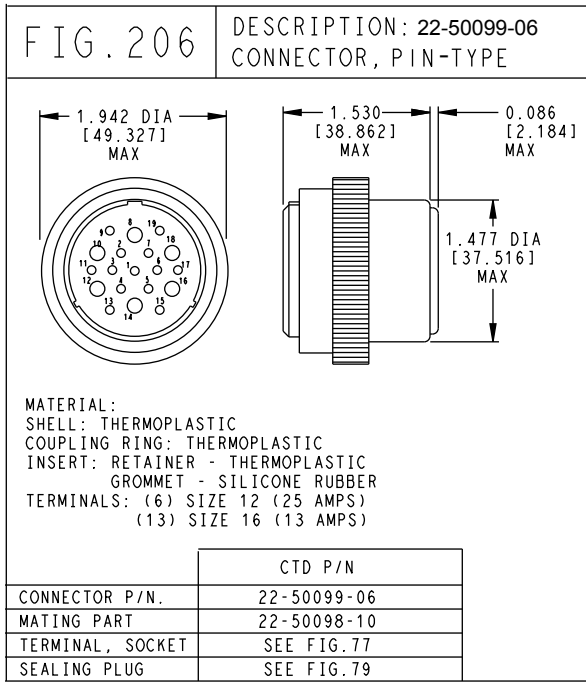
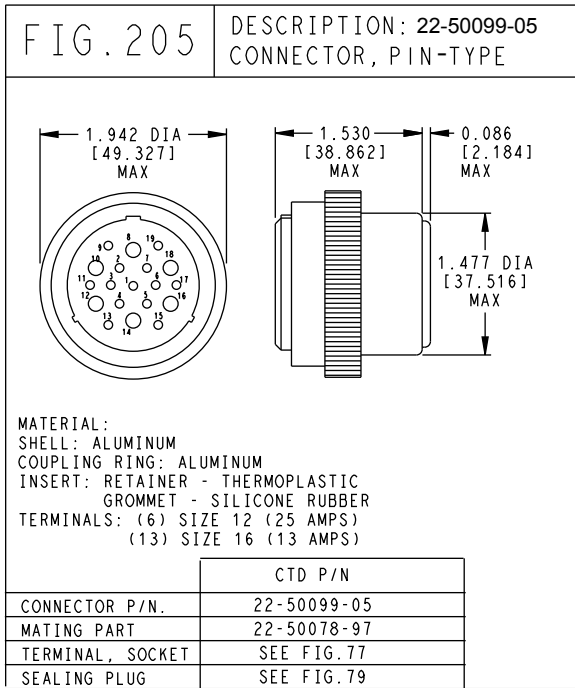
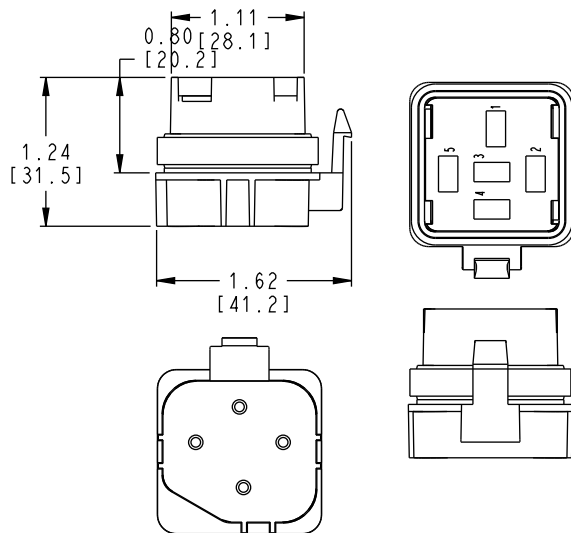


FIG. 208

DESCRIPTION: 22-50099-08
CONNECTOR, FEMALE, RELAY

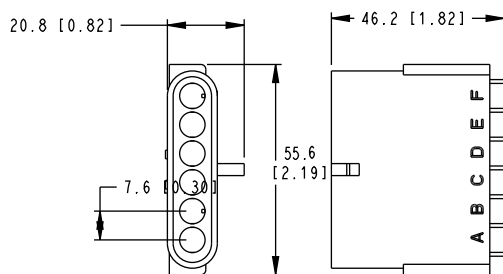


MATERIAL: NYLON 6
COLOR: BLACK
ASSEMBLY P/N INCLUDES * MARKED ITEMS

	CTD P/N
ASSEMBLY P/N	22-50099-08
CONNECTOR P/N	22-50098-92A
SEAL (CONNECTOR)	22-50098-92B
SEAL (CABLE)	22-50099-08C
TYPICAL TERMINAL	SEE FIG. 49
MATING PART (RELAY)	10-00286-15

FIG. 209

DESCRIPTION: 22-50099-09
CONNECTOR MALE



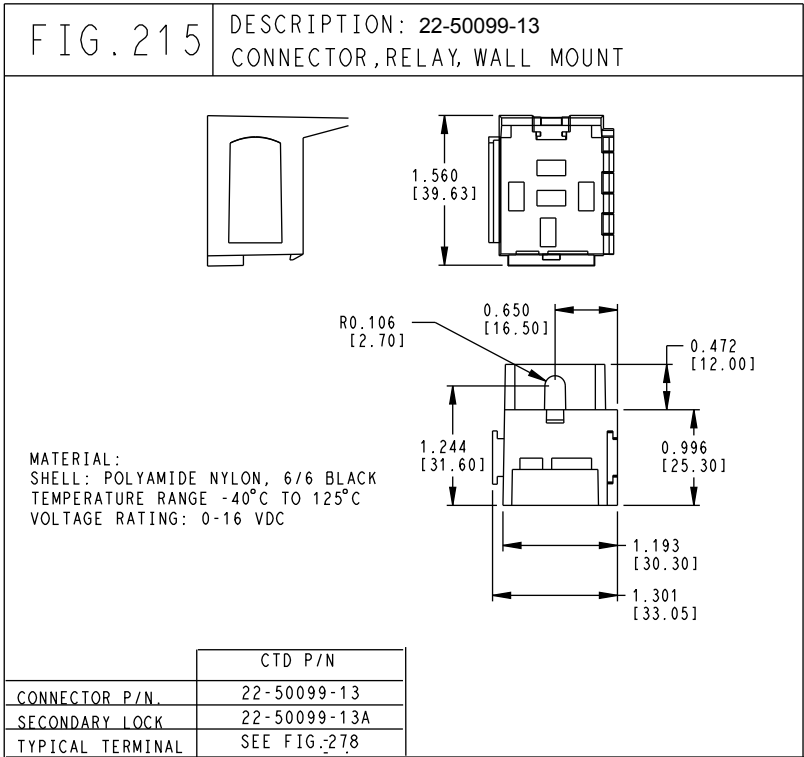
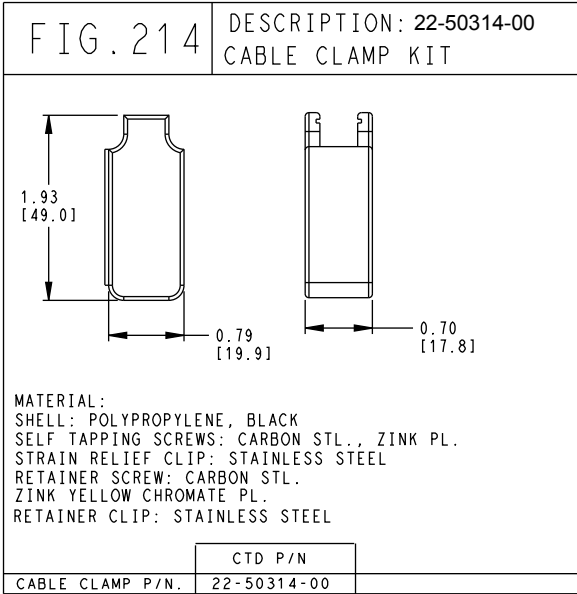
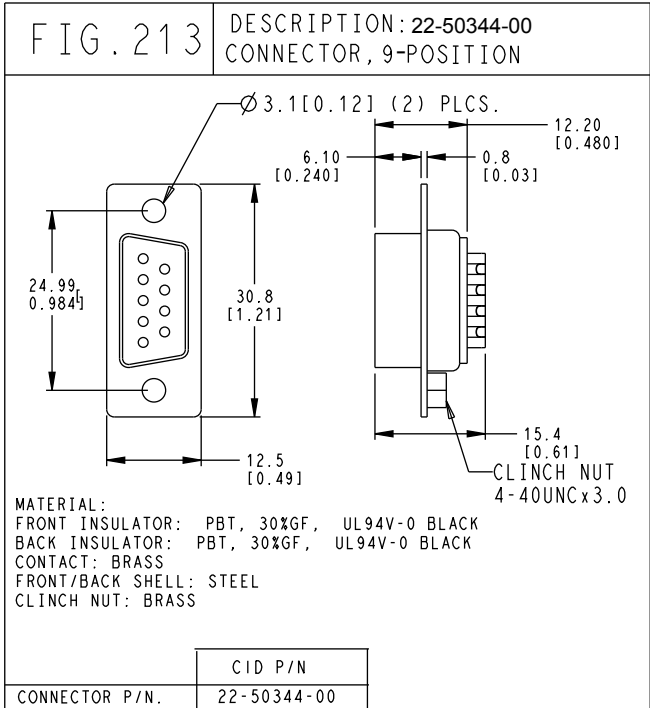
MATERIAL: NYLON 6
COLOR: BLACK

	CTD P/N
CONNECTOR P/N.	22-50099-09
SEAL (CABLE)	SEE FIG 59
TYPICAL TERMINAL	---
MATING PART	22-50099-00

FIG. 210		DESCRIPTION: 22-50099-10 TERMINAL, PIN	
DESCRIPTION	GAUGE	WIRE RANGE (mm) ²	CTD P/N
MALE TERMINAL	16-18	0.50 - 1.50	22-50099-10

FIG. 211		DESCRIPTION: 22-50099-11 CONNECTOR MALE	
MATERIAL: NYLON UL 94V-0 COLOR : BLACK			
	CTD P/N		
CONNECTOR P/N.	22-50099-11		
TYPICAL TERMINAL	SEE FIG. 210		

FIG. 212		DESCRIPTION: 22-50099-12 STRAIN RELIEF HOOD	
MATERIAL: NYLON UL 94V-0 COLOR : BLACK			
	CTD P/N		
CONNECTOR P/N.	22-50099-12		
MATING PART	SEE FIG. 211		



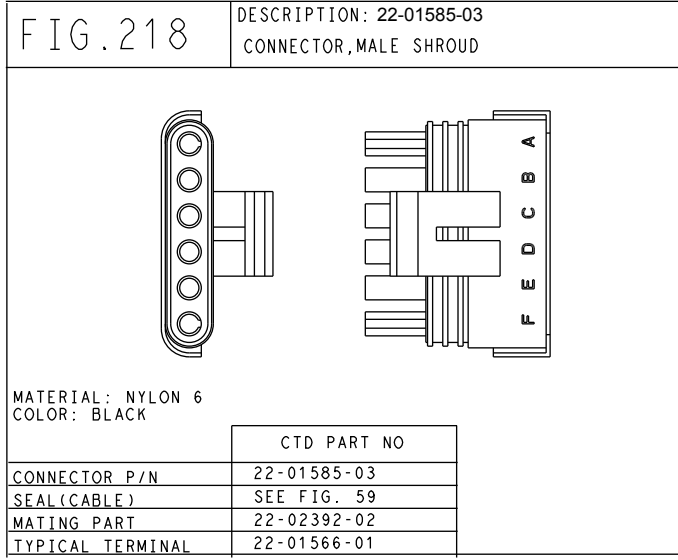
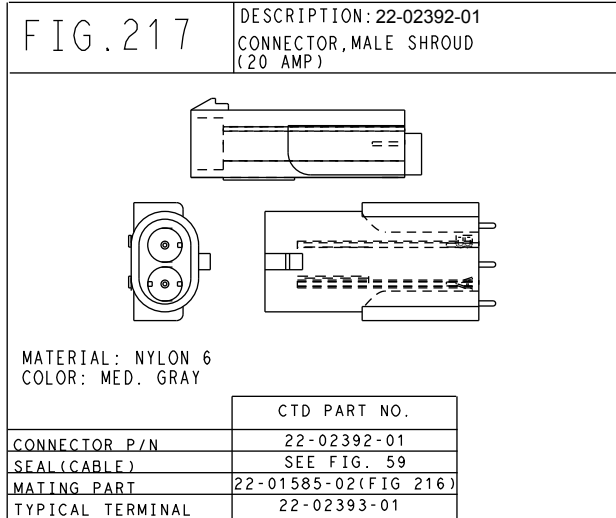
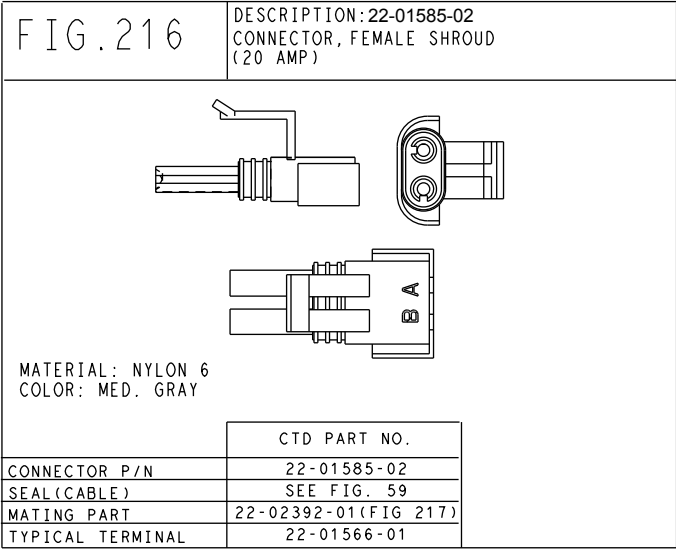
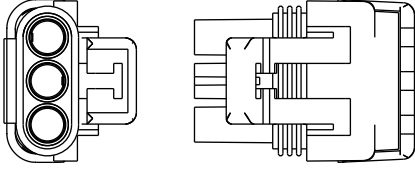


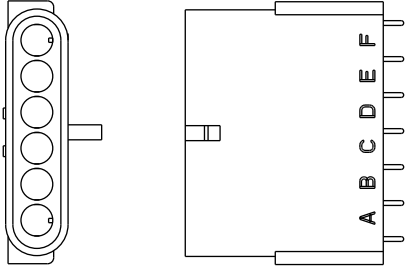
FIG. 219 DESCRIPTION: 22-01585-05
CONNECTOR, MALE SHROUD
(20 AMP)



MATERIAL: NYLON 6
COLOR: BLACK

	CTD PART NO.
CONNECTOR P/N	22-01585-05
SEAL(CABLE)	SEE FIG. 59
MATING PART	22-02392-04 FIG 21
TYPICAL TERMINAL	22-01566-01

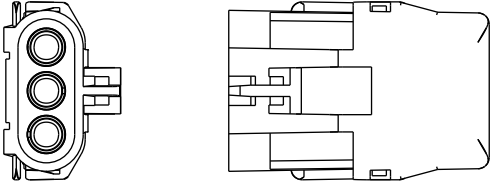
FIG. 220 DESCRIPTION: 22-02392-02
CONNECTOR, MALE SHROUD
(20 AMP)



MATERIAL: NYLON 6
COLOR: BLACK

	CTD PART NO.
CONNECTOR P/N	22-02392-02
SEAL(CABLE)	SEE FIG. 59
MATING PART	22-01585-03(FIG 218)
TYPICAL TERMINAL	22-02393-01

FIG. 221 DESCRIPTION: 22-02392-04
CONNECTOR, MALE SHROUD
(20 AMP)



MATERIAL: NYLON 6
COLOR: CREAM

	CTD PART NO.
CONNECTOR P/N	22-02392-04
SEAL(CABLE)	SEE FIG. 59
MATING PART	22-01585-05(FIG 219)
TYPICAL TERMINAL	22-02393-01-

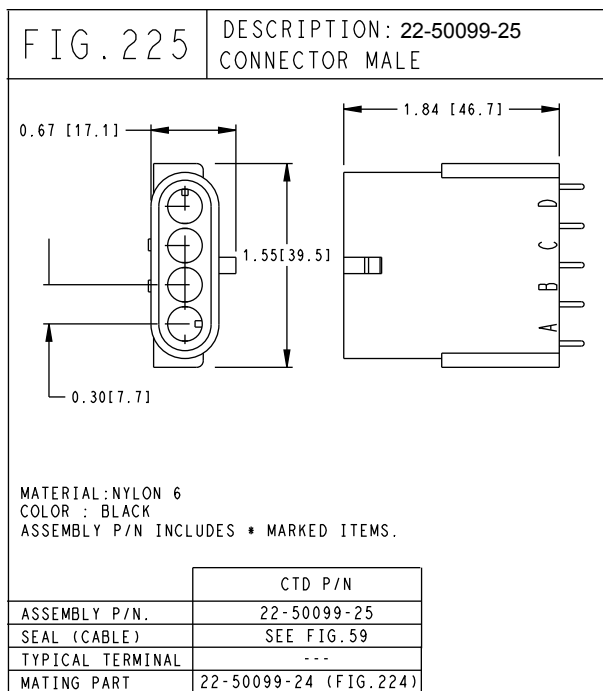
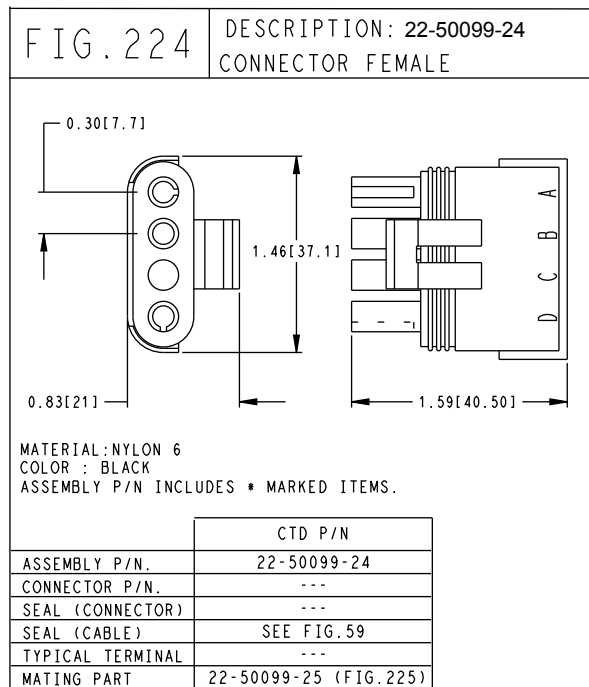
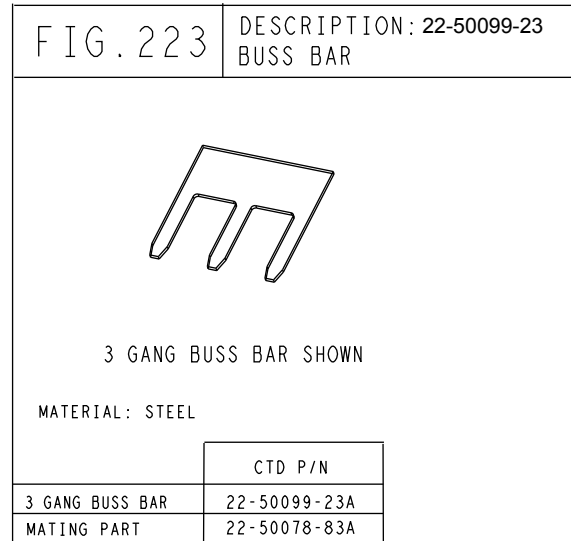
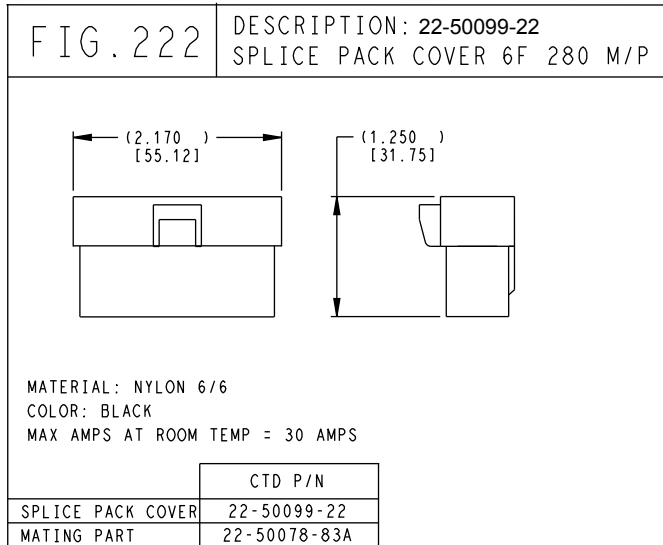
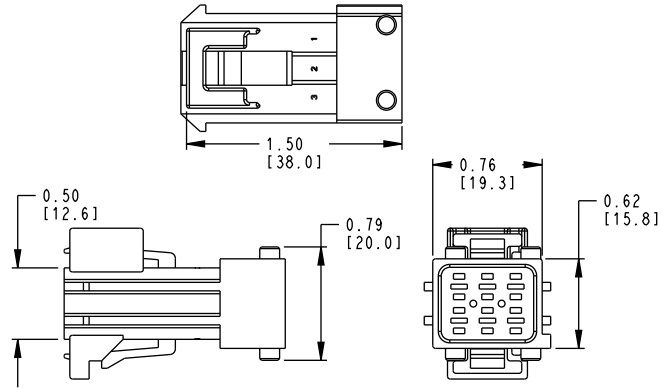


FIG. 226

DESCRIPTION: 22-50099-26
CONNECTOR FEMALE

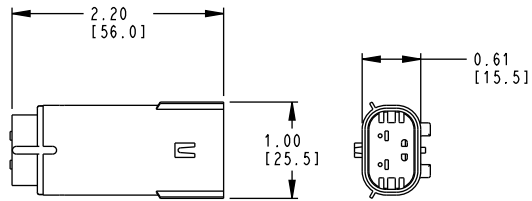


MATERIAL: PBTB 302 GF
COLOR : BLACK

	CTD P/N
CONNECTOR P/N.	22-50099-26
SEAL (CONNECTOR)	22-50099-26A
TYPICAL TERMINAL	22-50099-26B
MATING PART	22-50099-40

FIG. 227

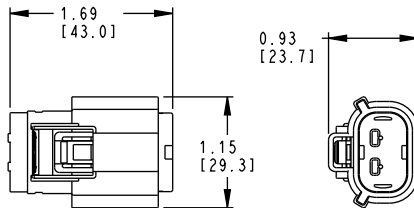
DESCRIPTION: 22-50099-27
CONNECTOR PLUG 2 CIRCUIT, 8 AWG



MATERIAL: GLASS FILLED PBT
COLOR : BLACK

	CTD P/N
CONNECTOR P/N.	22-50099-27
TERMINAL 8 AWG	22-50099-27A
CAVITY PLUG	22-50099-27B
MATING PART	22-50099-28

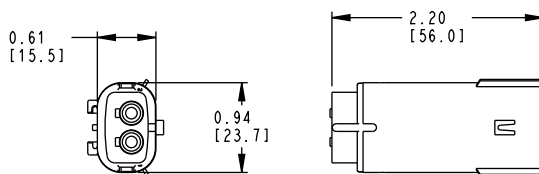
FIG. 228 DESCRIPTION : 22-50099-28
CONNECTOR RECEPT. 2-CIRCUIT 8 AWG



MATERIAL: GLASS FILLED PBT
COLOR : BLACK

	CTD P/N
HOUSING 8 AWG	22-50099-28
TERMINAL 8 AWG	22-50099-28A
CAVITY PLUG	22-50099-27B
MATING PART	22-50099-27

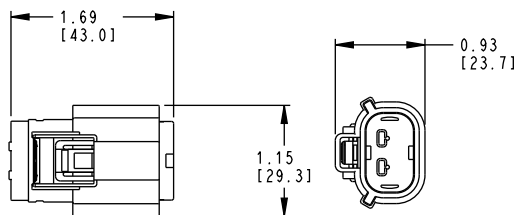
FIG. 229 DESCRIPTION : 22-50099-29
CONNECTOR PLUG 2-CIRCUIT 10/12 AWG



MATERIAL: GLASS FILLED PBT
COLOR : BLACK

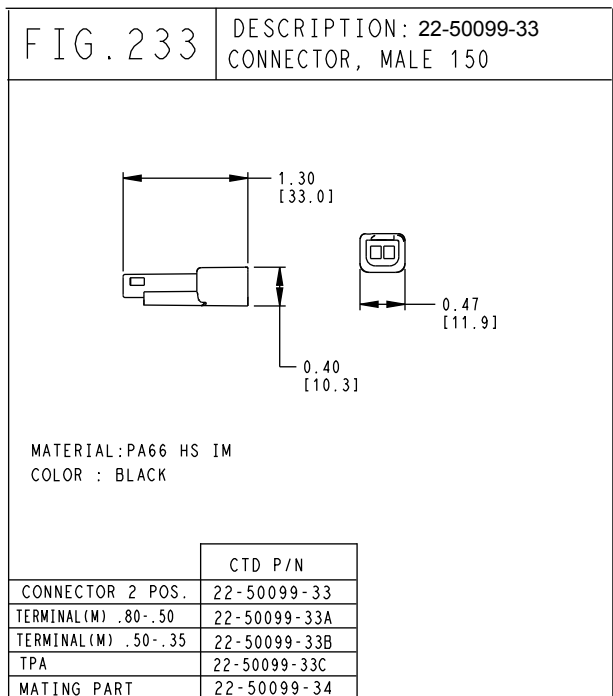
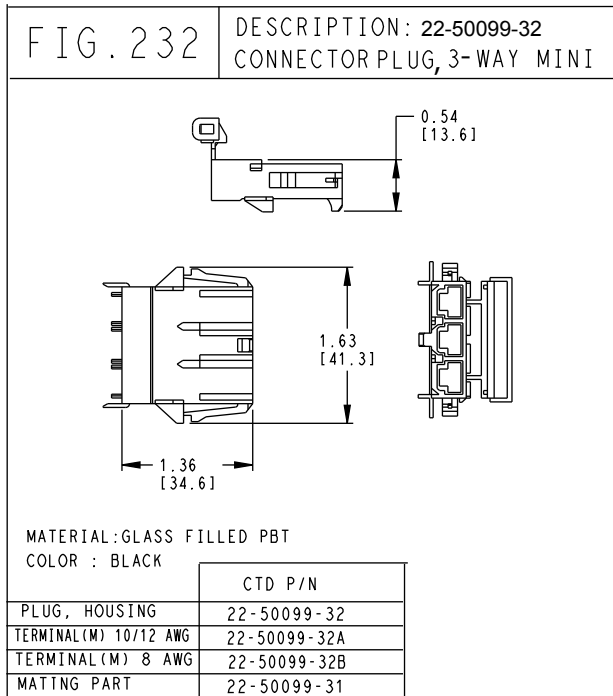
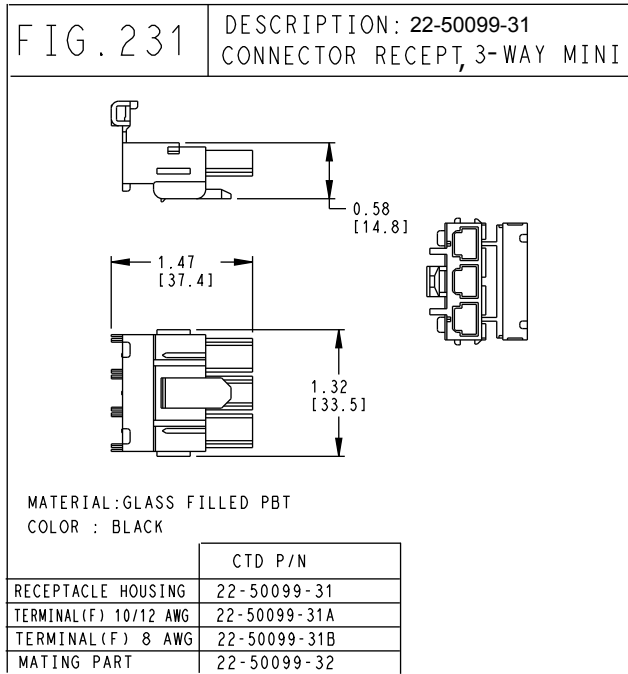
	CTD P/N
HOUSING 10/12	22-50099-29
TERMINAL 10/12 AWG	22-50099-29A
CAVITY PLUG	22-50099-27B
MATING PART	22-50099-30

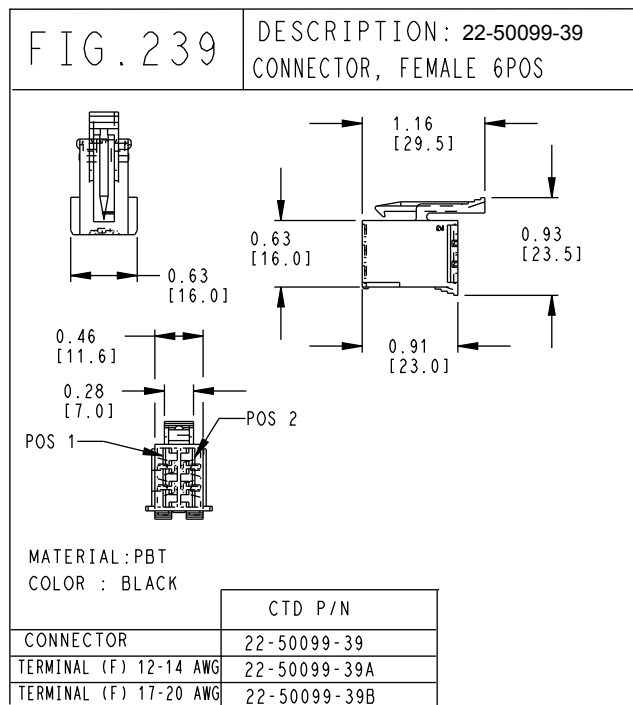
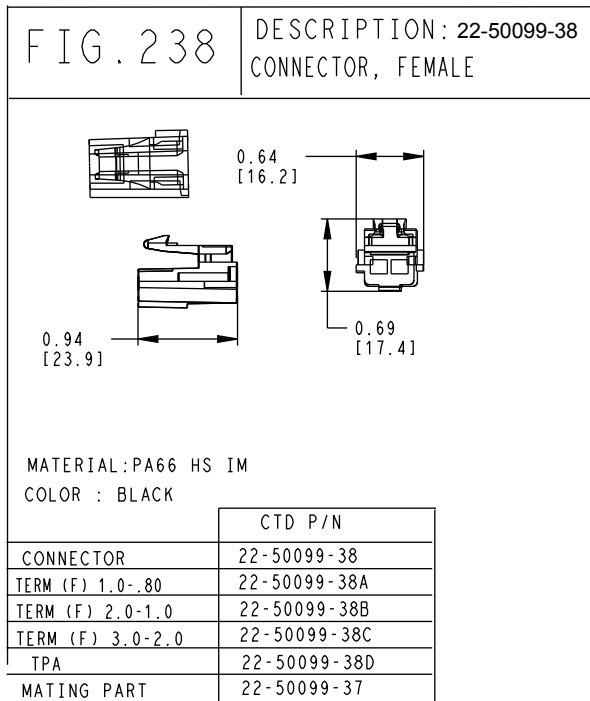
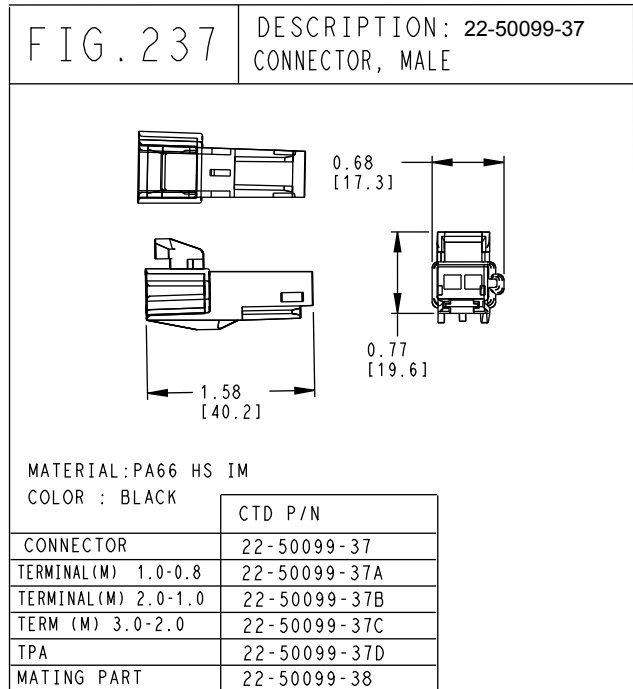
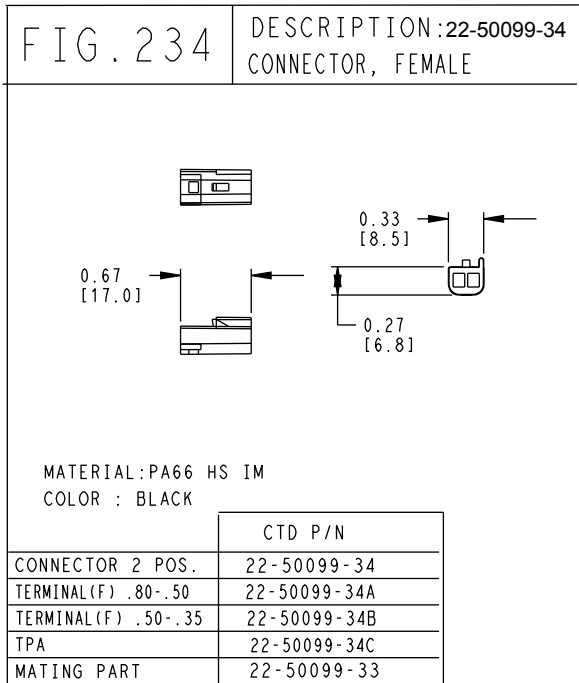
FIG. 230 DESCRIPTION : 22-50099-30
CONNECTOR RECEPT, 2-CIRCUIT



MATERIAL: GLASS FILLED PBT
COLOR : BLACK

	CTD P/N
CONNECTOR 10/12	22-50099-30
TERMINAL 10/12 AWG	22-50099-30A
CAVITY PLUG	22-50099-27B
MATING PART	22-50099-29

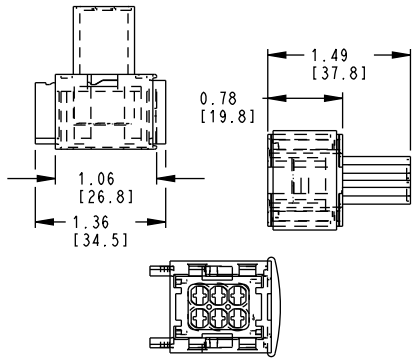




Figures 235 and 236 skipped intentionally

FIG. 240

DESCRIPTION: 22-50099-40
CONNECTOR, FEMALE 6POS

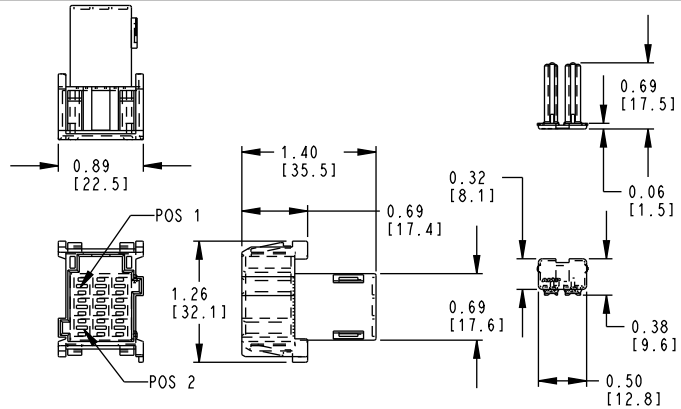


MATERIAL: PBT/ASA-GF30
COLOR: BLACK

	CTD P/N
CONNECTOR	22-50099-40
TERMINAL (F) 12-14 AWG	22-50099-40A
TERMINAL (F) 17-20 AWG	22-50099-40B
WIRE SEAL 12-14 AWG	22-50099-40C
WIRE SEAL 17-20 AWG	22-50099-40D
CAVITY PLUG	22-50099-40F
MATING PART	22-5009

FIG. 241

DESCRIPTION: 22-50099-41
CONNECTOR, MALE 9POS TAB
HOUSING W/SECONDARY LOCK



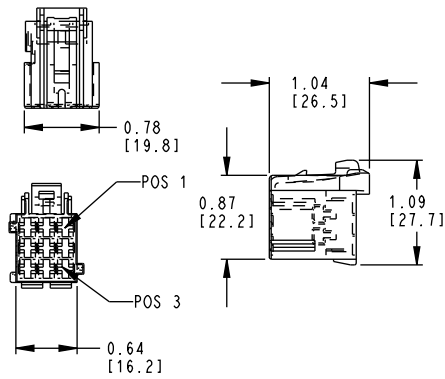
MATERIAL: PA66-GF13
COLOR: YELLOW

SECONDARY LOCK (TPA)
22-50099-41C

	CTD P/N
CONNECTOR	22-50099-41
TERMINAL (M) 12-14 AWG	22-50099-41A
TERMINAL (M) 17-20 AWG	22-50099-41B
SECONDARY LOCK (TPA)	22-50099-41C
MATING PART NO.	22-50099-42

FIG. 242

DESCRIPTION: 22-50099-42
CONNECTOR, FEMALE 9POS

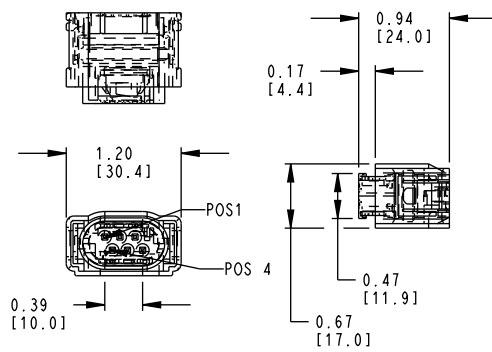


MATERIAL: PBT-GF10
COLOR: YELLOW

	CTD P/N
CONNECTOR	22-50099-42
TERMINAL (F) 12-14 AWG	22-50099-42A
TERMINAL (F) 17-20 AWG	22-50099-42B
SECONDARY LOCK (TPA)	22-50099-41C
MATING PART NO	22-50099-41

FIG. 243

DESCRIPTION: 22-50099-43
SWS 6POS SOCKET HOUSING



MATERIAL: PBT-GF15
COLOR: BLACK

	CTD P/N
CONNECTOR	22-50099-43
TERMINAL (F) 18 AWG	22-50099-43A
TERMINAL (F) 20-24 AWG	22-50099-43B

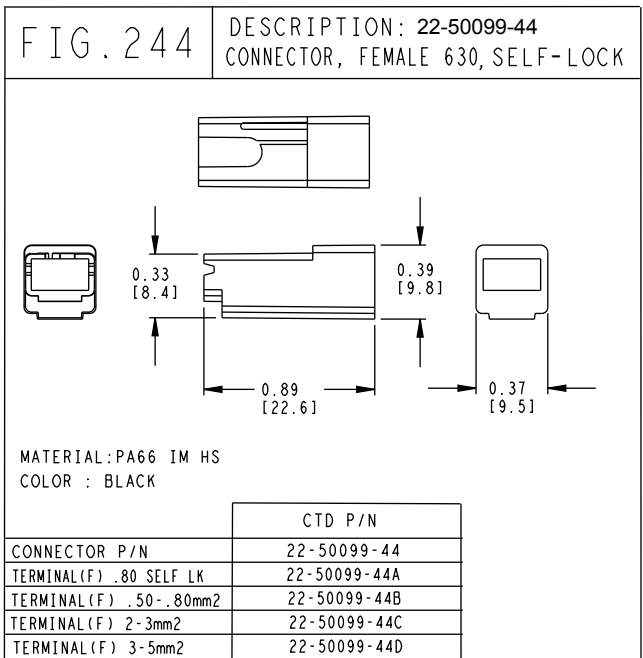


Figure 245 skipped intentionally

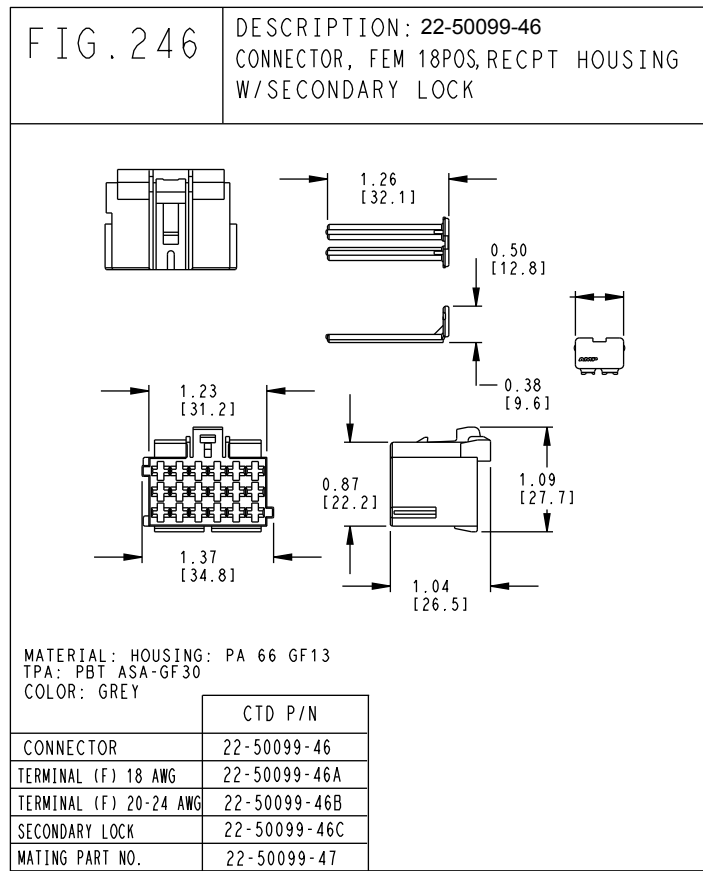
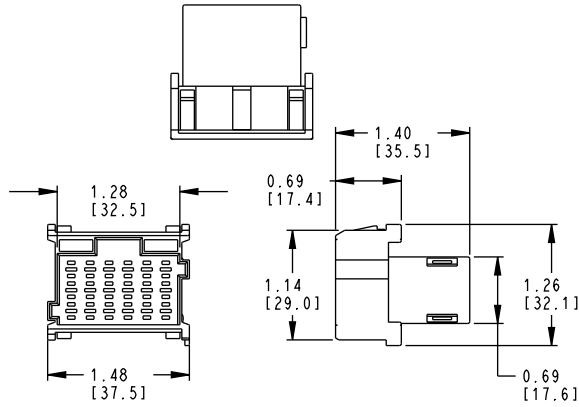


FIG. 247

DESCRIPTION: 22-50099-47
 CONNECTOR, MALE 18POS TAB HSG
 W/SECONDARY LOCK

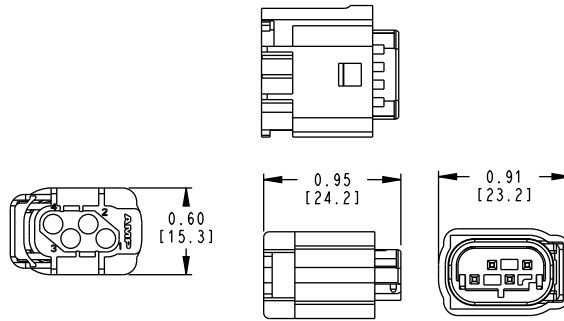


MATERIAL: HOUSING: PA 66 GF13
 COLOR: GREY TPA: PBT ASA-GF30

	CTD P/N
CONNECTOR	22-50099-47
TERMINAL (F) 18 AWG	22-50099-47A
TERMINAL (F) 20-24 AWG	22-50099-47B
SECONDARY LOCK (TPA)	22-50099-46C
MATING PART NO.	22-50099-46

FIG. 248

DESCRIPTION: 22-50099-48
 CONNECTOR, FEMALE MICRO QUADLOCK



MATERIAL: PBT-GF10
 COLOR: BLACK

	CTD P/N
CONNECTOR P/N	22-50099-48
SOCKET CONTACT #18	22-50099-48A
WIRE SEAL #18	22-50099-48B

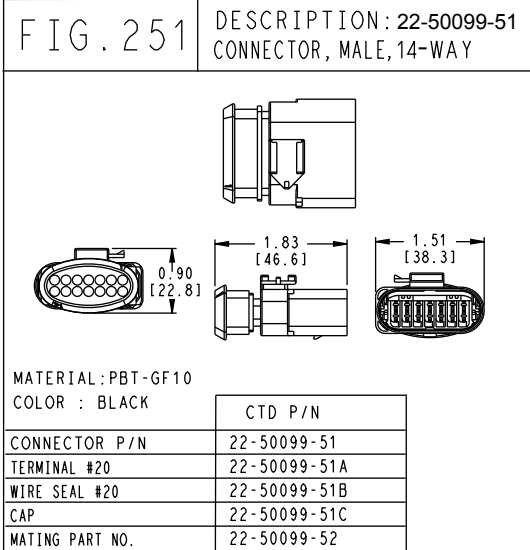
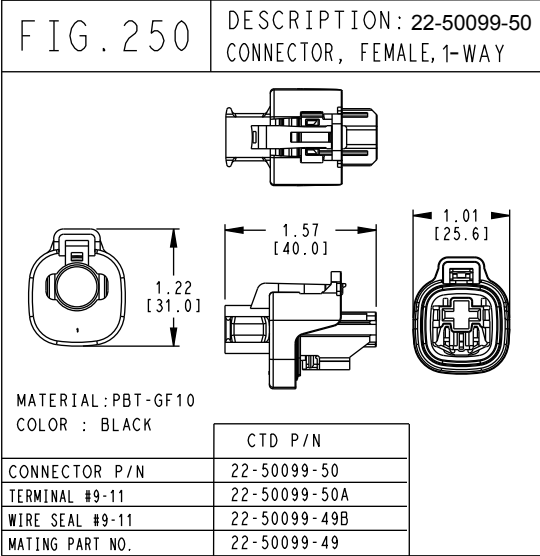
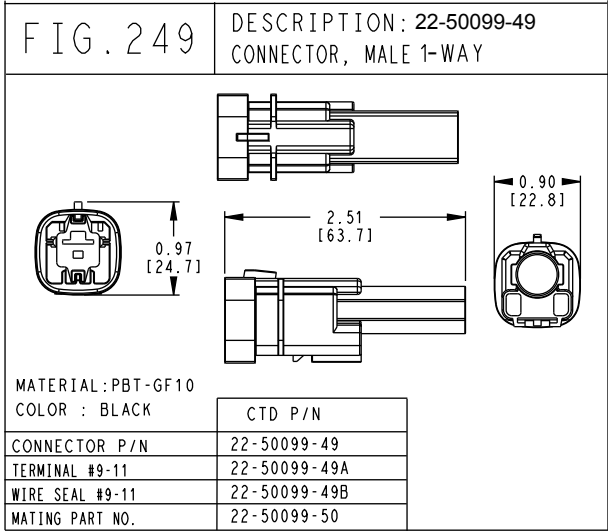


FIG. 252 DESCRIPTION: 22-50099-52
CONNECTOR, FEMALE, 14-WAY

MATERIAL: PBT-GF10
COLOR: BLACK

	CTD P/N
CONNECTOR P/N	22-50099-52
TERMINAL #20-24	22-50099-52A
WIRE SEAL #20	22-50099-51B
WIRE SEAL #24	22-50099-52B
CAP	22-50099-51C
MATING PART NO.	22-50099-51

FIG. 253
FIG. 254
FIG. 255
FIG. 256
FIG. 257
FIG. 258
FIG. 259
FIG. 260
FIG. 261
FIG. 262
FIG. 263
FIG. 264

UNRELEASED
FIGURE(S)
PART NUMBER(S)

FIG. 265 DESCRIPTION: 22-50099-65
CONNECTOR, FEMALE, 5F 150 M/P

MATERIAL: NYLON 66
COLOR: BLACK

	CTD P/N	REV
CONNECTOR P/N	22-50099-65	CR
SECONDARY LOCK	22-50099-65A	CR
SEAL (CONNECTOR)	22-50099-65B	CR
SEAL (CABLE)	SEE FIG. 50	
MATING PART	22-50099-66	
TYPICAL TERMINAL	SEE FIG. 46	

FIG. 266 DESCRIPTION: 22-50099-66
CONNECTOR, MALE, 5F 150 M/P

MATERIAL: NYLON 66
COLOR: BLACK

	CTD P/N	REV
CONNECTOR P/N	22-50099-66	CR
SECONDARY LOCK	22-50099-65A	
SEAL (CABLE)	SEE FIG. 50	
MATING PART	22-50099-65	
TYPICAL TERMINAL	SEE FIG. 46	

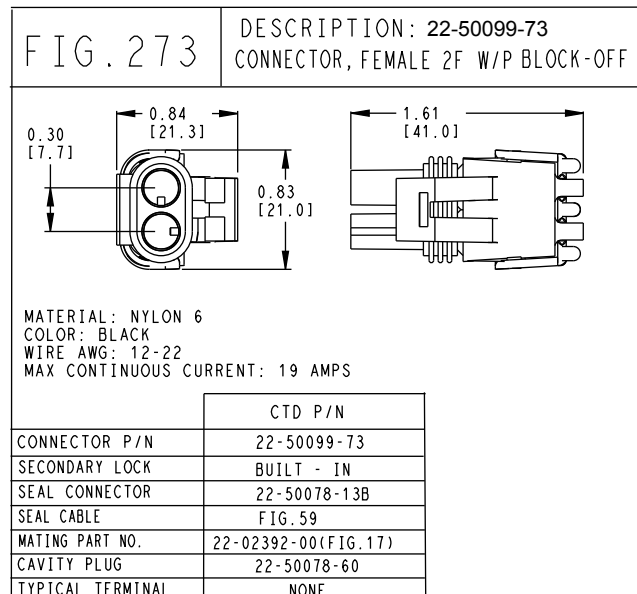
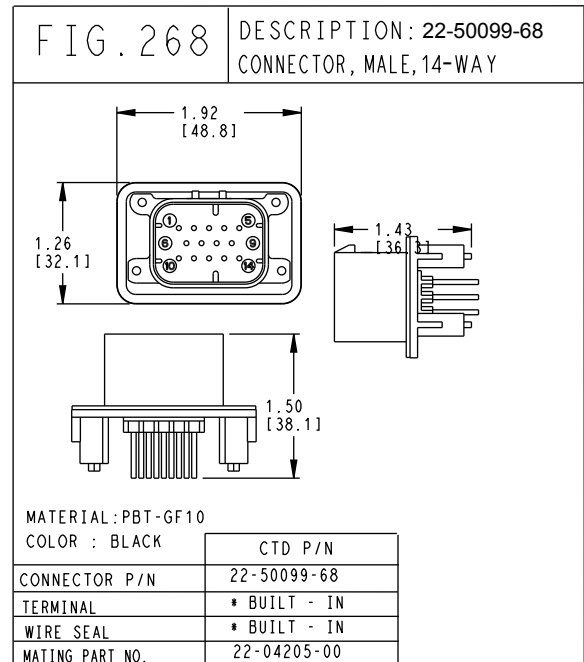
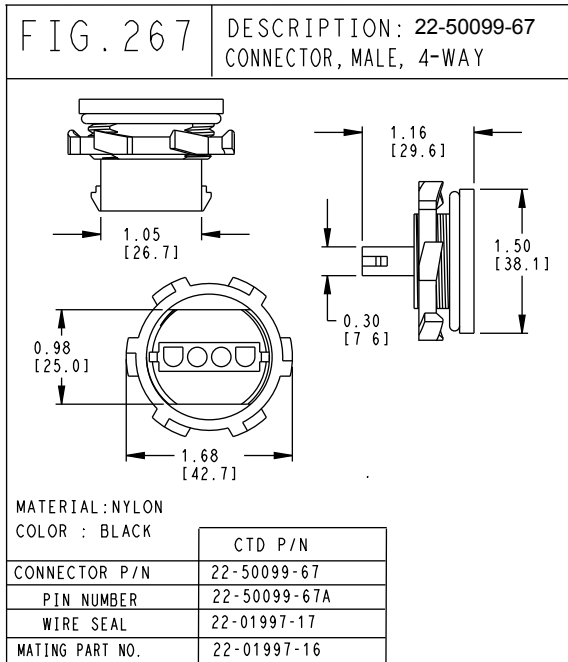
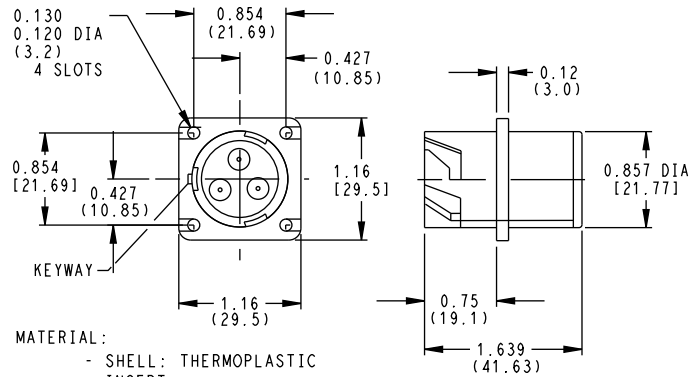


FIG. 274

DESCRIPTION: 22-50099-74
RECEPTACLE, 3-WAY, FEMALE

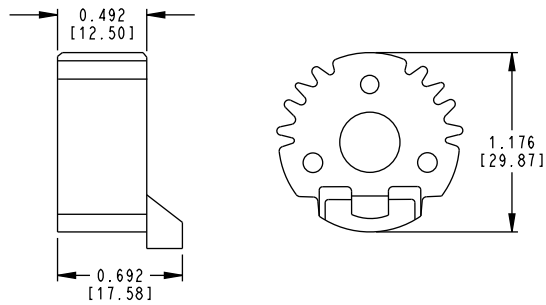


- MATERIAL:
- SHELL: THERMOPLASTIC
 - INSERT:
 - RETAINER: THERMOPLASTIC
 - GROMMET AND INTERFACIAL SEAL: SILICONE RUBBER
 - CONTACTS:
 - SOCKET: COPPER ALLOY
 - FINISH: NICKEL PLATING
 - SEALING PLUGS: SELANEX
- WIRE GAUGE: 16-18 GA.

	CTD P/N
ASSEMBLY P/N	22-50099-74
SEALING PLUG P/N	SEE FIG. 79
PIN P/N	SEE FIG. 78
RECEPTACLE COVER	22-50099-75

FIG. 275

DESCRIPTION: 22-50099-75
CONNECTOR, 3 SOCKET RECEPTACLE



- MATERIAL:
- SHELL: THERMOPLASTIC

	CID P/N
COVER, RECEPTACLE	22-50099-75
MATING RECEPTACLE	22-50099-74

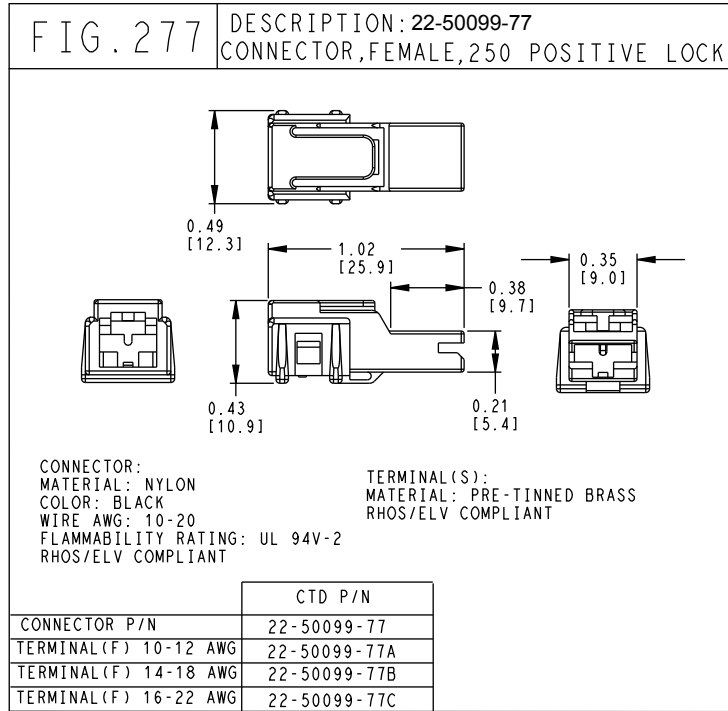
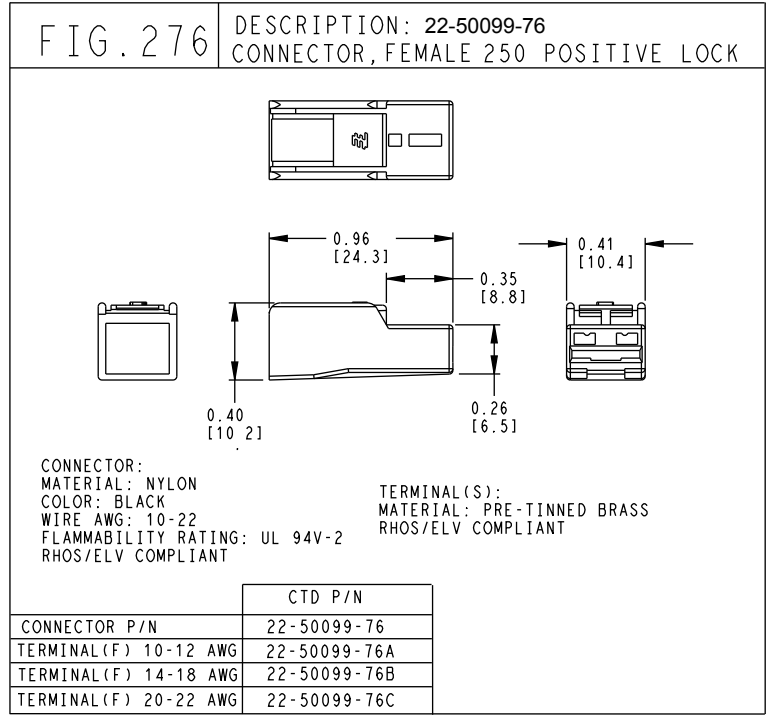
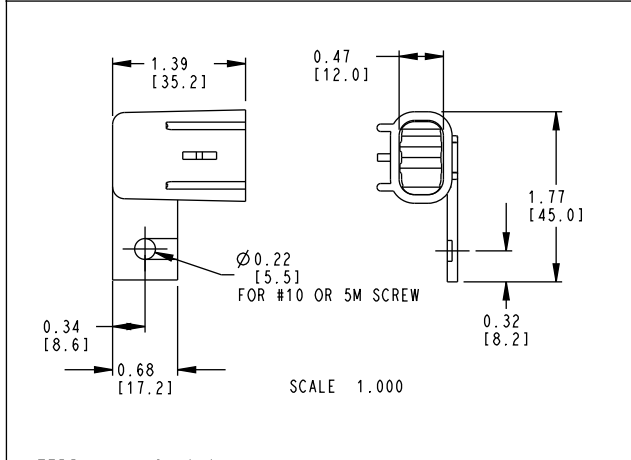


FIG. 278 DESCRIPTION: 22-50099-78
TERMINALS, UNSEALED

	GAUGE	CABLE DIA(mm)	CTD P/N
FEMALE TERMINAL	20-22	1.84-2.51	22-50099-78E
	18-20	2.03-3.12	22-50099-78F
	14-16	2.48-3.97	22-50099-78G
	10-12	3.94-5.24	22-50099-78H
	12	2.94-3.10	22-50099-78J

SEE FIG. 49 FOR SEALED TERMINALS

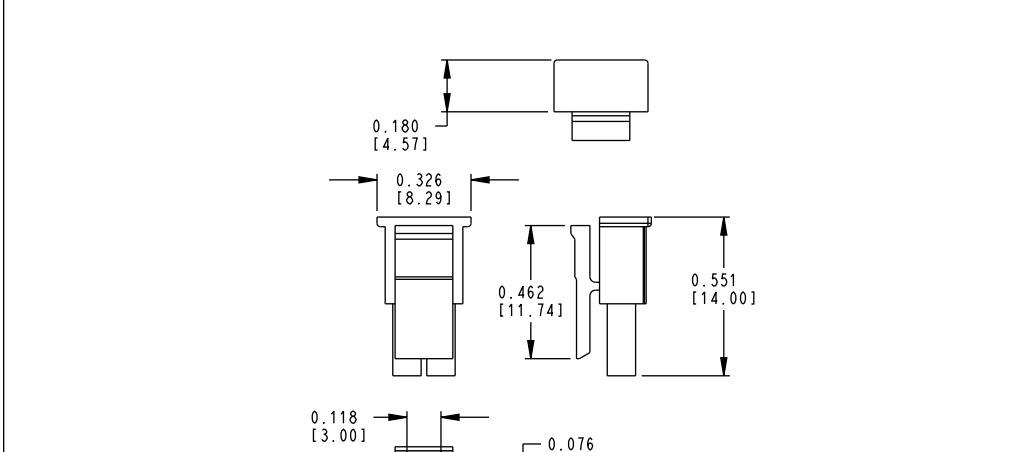
FIG. 279 DESCRIPTION: 22-50099-79
FUSE HOLDER, CAP, METRI-PACK



MATERIAL: NYLON 6/6

	CTD P/N
CAP P/N(BLACK)	22-50099-79
CAP P/N(RED)	22-50099-79A
MATING PART	22-50078-02

FIG. 280 DESCRIPTION: 22-50099-80
CONNECTOR, RECEPTACLE (2-CIRCUIT HOUSING)



CONNECTOR:
MATERIAL: NYLON
RATING: UL 94V-0
FINISH : BLACK

TERMINALS:
MATERIAL: PHOSPHOR BRONZE ALLOY
PLATING: HOT TIN DIP

	CTD P/N
CONNECTOR P/N	22-50099-80
CRIMP TERMINAL(F) 20-24 AWG	22-50099-80A

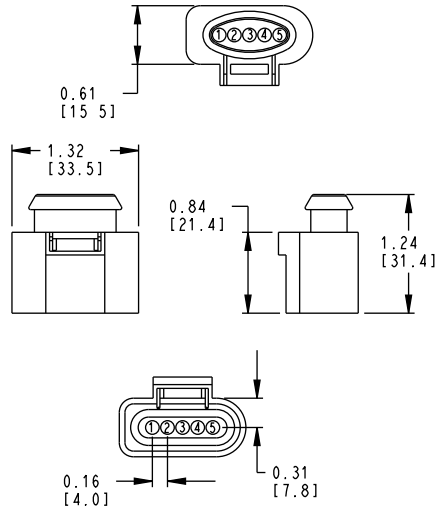
FIG. 281

DESCRIPTION: 22-50099-81
CONNECTOR, FEMALE (5-POSITION SEALED)

CONNECTOR:
MATERIAL:
RATING: UL
FINISH: BLACK
ROHS CONFORM: YES

TERMINALS:
RANGE: 0.50MM-1.00MM
MATERIAL: TIN PLATE
MATERIAL: GOLD PLATE

SEAL:
MATERIAL: SILICON
RANGE: 1.4 - 1.9MM
COLOR: GREY
PLUG, CAVITY:
MATERIAL: SILICON
COLOR: WHITE



	CTD P/N
CONNECTOR P/N	22-50099-81
MATES WITH P/N	NA
TERMINAL, SOCKET (TIN PLATE)	22-50099-81A
SEAL, CABLE	22-50099-81B
REMOVAL TOOL	NA
TERMINAL, SOCKET (GOLD PLATE)	22-50099-81C
PLUG, CAVITY	22-50099-81D
TERMINAL, SOCKET (TIN PLATE)	22-50099-81E

FIG. 282

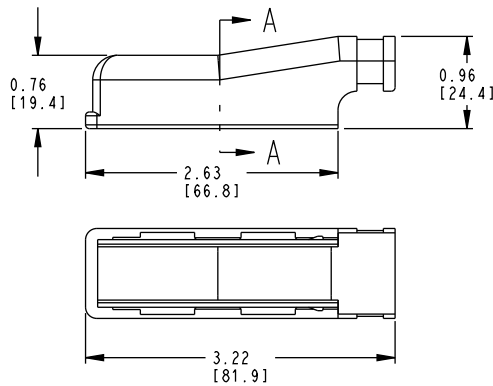
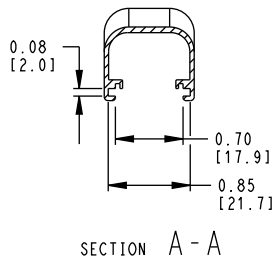
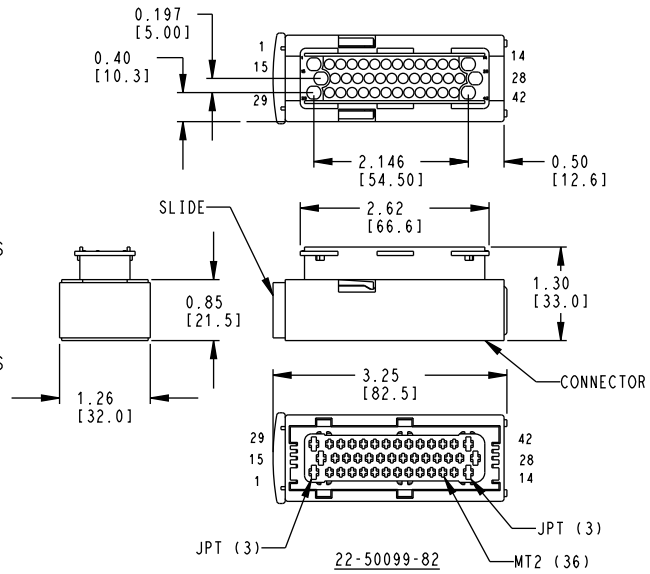
DESCRIPTION: 22-50099-82
 CONNECTOR, HOUSING
 (JPT/MICRO TIMER 2, 42-POSITION SEALED)

CONNECTOR:
 MATERIAL: PBT-GF30
 RATING: UL
 FINISH: BLACK
 ROHS CONFORM: YES
 TYPE: JPT/MICRO TIMERS

BACKSHELL:
 MATERIAL: PBT-GF
 FINISH: BLACK
 ROHS CONFORM: YES
 TYPE: JPT/MICRO TIMERS

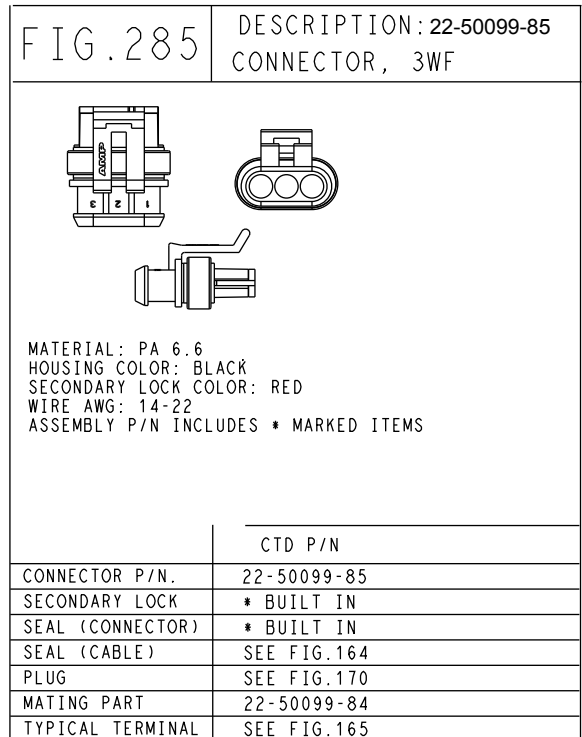
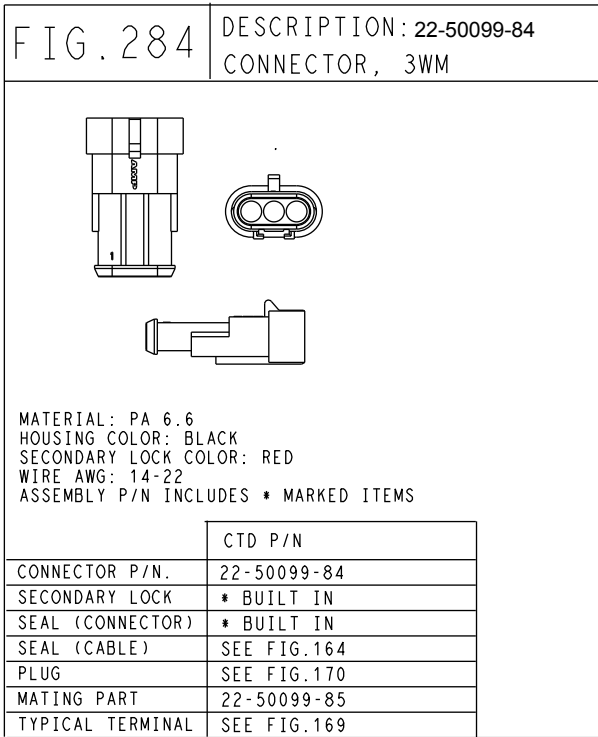
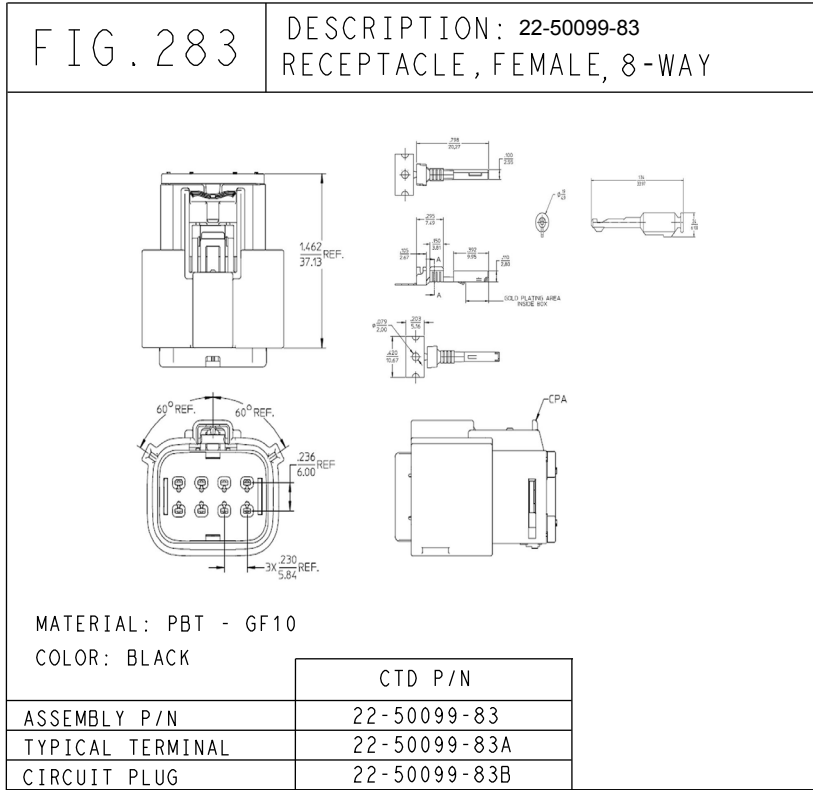
SLIDE:
 MATERIAL: PBT-GF30
 COLOR: RED

PLUG, CAVITY:
 MATERIAL: SILICON
 RANGE: 3.6MM DIA

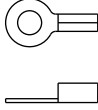


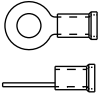
22-50099-82A

	CTD P/N
CONNECTOR P/N	22-50099-82
SHELL, BACK P/N	22-50099-82A
PLUG, CAVITY (MT2)	22-50099-82B
TERMINAL, SOCKET (JPT)	22-50098-80A
SEAL, 1.20 - 2.10MM	22-50098-81A
TERMINAL, SOCKET (MT2)	22-50099-81A
SEAL, 1.4 - 1.9MM	22-50099-81B
TERMINAL, SOCKET (MT2)	22-50099-81E
SEAL, 0.9 - 1.2MM	22-50099-52B
PLUG, CAVITY (JPT)	22-50098-83A



Terminals

			
RING TERMINAL NON-INSULATED			
TERM SIZE	WIRE GAGE	CTD PART NO.	ROHS/MOC COMPLIANT
#10	12	--	
#8	16	--	
#10	16	--	
3/8 1/4	2 WIRE 2 WIRE	-- --	
1/4	8-10	--	
3/8	14-16	--	
#10	18-20	--	
#10	18-20	--	
1/4	10	--	
1/2	14-16	--	
#10	10-12	--	
1/4	6-8	--	
3/8	6-8	--	
1/2	6-8	--	
#8	8	22-50122-39	YES
#10	8	22-50122-40	YES
#10	8-10	22-50122-41	YES
M5 / #10	10-12	22-50122-42	YES
#10	14-18	22-50122-43	YES
3/8	4	22-50122-44	YES
3/8	8-12	22-50122-45	YES
1/4	10-12	22-50122-46	YES
1/4	14-18	22-50122-47	YES
1/4	4	22-50122-48	YES
1/4	6-10	22-50122-49	YES
5/16	6-10	22-50122-50	YES
M4	12-14	22-50122-51	YES
M6	12-14	22-50122-52	YES
M10	8	22-50122-53	YES
M10	12-14	22-50122-54	YES
M10	16-18	22-50122-55	YES
M8	6	22-50122-57	YES
M6	8	22-50122-58	YES
M6	6	22-50122-59	YES
M5	6	22-50122-60	YES
3/8	8 - 12	22-50122-61	YES
M5 / #10	16 - 18	22-50122-62	YES
M5 / #10	14 - 16	22-50122-66	YES
M6	8	22-50122-67	YES
M6	4-6	22-50122-68	YES
M8	8	22-50122-69	YES
M8	4-6	22-50122-70	YES

		
RING TERMINAL INSULATED		
TERM. SIZE	WIRE GAGE	CTD PART NO.
#6	16-20	22-00121-04
#10	8	22-00872-01
#10	10-12	22-01140-02
#10	14-16	22-02335-02
#10	16-20	22-00121-07
1/4	8	22-00872-02
1/4	10-12	22-01140-03
1/4	16-22	22-00121-09
3/8	8	22-00872-04
1/4	14-16	22-01139-03
#8	22-18	22-00121-11
#8	12-10	22-01140-06
#8	14-18	22-02338-05

WIRE SIZE CROSS REFERENCE	
GAGE (AWG)	mm ²
24	0.22
22	0.35
20	0.5
18	0.8
16	1.0
14	2.0
12	3.0
10	5.0
8	8.0
6	15.0
4	21.0

Terminals

STRAIGHT PUSH ON TERMINAL					
TERM SIZE	WIRE GAGE	FIG.	INSULATED	CTD PART NO.	ROHS/MOC COMPLIANT
1/4	18-22	1	PRE	22-01258-01	
1/4	14-18	2	NON	22-01461-00	
1/4	18-22	3	PRE	22-01502-00	
1/4	18	1	NON	22-50122-08	
1/4	20	1	NON	22-50122-09	
1/4	10-12	1	PRE	22-01142-01	
1/4	14-16	4	NON	22-02337-01	
.205	18-20	4	NON	22-50122-10	
1/4	16-18	1	NON	22-50122-07	
1/4	12-14	1	NON	22-50122-11	
.205	2 WIRE	4	NON	22-50122-12	
1/4	14-16	4	NON	22-50122-13	
1/4	2 WIRE	4	NON	22-50122-14	
1/4	18-20	4	NON	22-50122-15	
.196	10-12	4	NON	22-50122-16	
.153	18-20	4	NON	22-50122-17	
.196	18-20	4	NON	22-50122-04	
.153	14-16	4	NON	22-50122-18	
.153	10-12	5	NON	22-50122-19	
.137	10-12	5	NON	22-50122-20	
.137	14-16	5	NON	22-50122-21	
1/4	14-16	4	NON	22-50122-05	
.295	14-18	1	NON	22-50122-22	
3/8	10-12	1	NON	22-50122-23	
.161	20	5	NON	22-50122-24	
1/4	12	4	NON	22-50122-00	
.110	20-22	4	NON	22-50122-25	
.153	16-18-20	4	NON	22-50122-26	
.196	10	4	NON	22-50122-27	
.196	14-16	4	NON	22-50122-28	
.196	12	4	NON	22-50122-29	
1/4	18-20	4	NON	22-50122-30	
.110	18-20	4	NON	22-50122-03	
.110	14-16	4	NON	22-50122-01	
.062	16-20	4	NON	22-50122-06 / 22-62005-00	
.295	16-12	1	NON	22-50122-39	
.250	18-14	4	NON	22-50122-35	
.250	10-8	4	NON	22-50122-56	
.250	18-22	1	NON	22-50122-63	YES
.250	12-16	1	NON	22-50122-64	YES
.250	10-12	6	PRE	22-50122-65	

CONTACT TERMINAL (PIN)			
TERM. SIZE	WIRE GAGE	INSULATED	CTD PART NO.
.062	14-18	NON	22-01439-01
.062	20	NON	22-50122-31
.062	18	NON	22-50122-32
.110	18-20	NON	22-50122-33
.062	18-20	NON	22-50122-34
.062	16-18-20	NON	22-50122-35
.010	10-12	PRE	22-50122-41
.070	22-18	PRE	22-50122-42

CONTACT TERMINAL (SOCKET)			
TERM. SIZE	WIRE GAGE	INSULATED	CTD PART NO.
.062	14-18	NON	22-01440-01
.062	20	NON	22-50122-36
.118	18-20	NON	22-50122-02
.080	14-20	NON	22-50122-40

FLAG TERMINAL			
TERM. SIZE	WIRE GAGE	INSULATED	CTD PART NO.
1/4	14-16	PRE	22-01376-01
1/4	18-20	PRE	22-01376-00
1/4	16-20	NON	22-50122-37

LAMP SOCKET		
WIRE GAGE	INSULATED	CTD PART NO.
18-20	NON	22-50122-38

BUTT SPLICE		
WIRE GAGE	INSULATED	CTD PART NO.
14-16	PRE	22-01451-01
18-22	PRE	22-01451-00
10-12	PRE	22-01451-02
6	NON	22-50099-36

North America
Carrier Transicold
700 Olympic Drive
Athens, GA 30601 USA
Tel: 1-706-357-7223
Fax: 1-706-355-5435

**Central America
and Mexico**
Ejercito Nacional 253-A Piso 5
Colonia Anahuac
11320 Mexico, D.F.
Tel: 55315010
Fax: 55315010 ext. 1005



**United
Technologies**

Climate | Controls | Security

Carrier Transicold Division,
Carrier Corporation
P.O. Box 4805
Syracuse, N.Y. 13221 U.S.A

www.carrier.transicold.com



A member of the United Technologies Corporation family. Stock symbol UTX
©2013 UTC Climate | Controls | Security Printed in U. S. A.