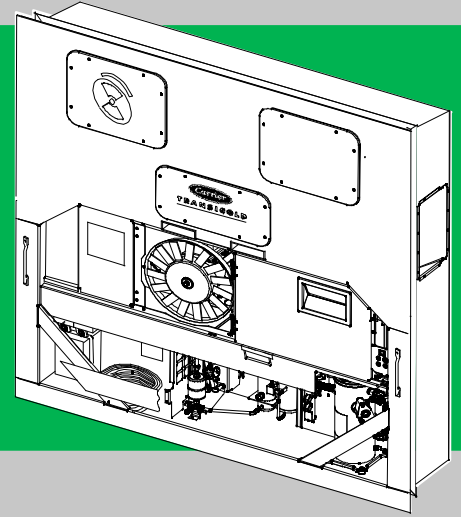
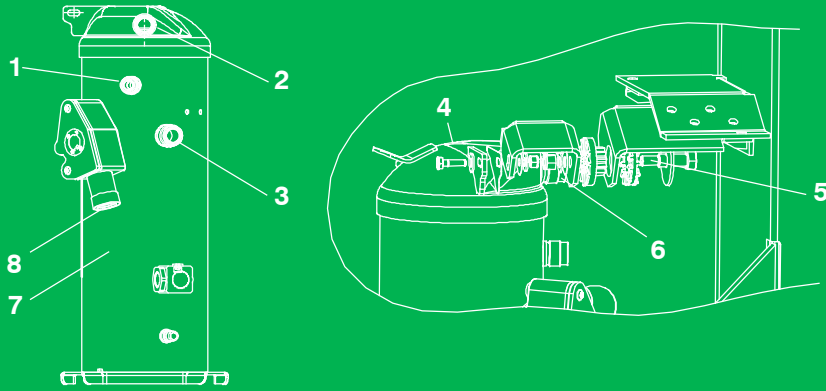




Container Refrigeration



SERVICE PARTS LIST for **69NT40-551-001 to 199** Container Refrigeration Units



TRANSICOLD

**SERVICE PARTS LIST
CONTAINER REFRIGERATION UNIT**

**MODEL
69NT40-551-001-199 Series**

TABLE OF CONTENTS

INTRODUCTION	iii
CONFIGURATION IDENTIFICATION	iii
OPTION DESCRIPTIONS	iii
ORDERING INSTRUCTIONS	vi
LETTER DESIGNATIONS	vi
1. QUICK LIST - Clamps, Filter-Drier, Fuses, Ty-Raps, and Wire Terminals	1
2. REFRIGERATION UNIT ASSEMBLY	2
2.1 Refrigeration Unit - Area Locator	2
2.2 Rain Gutters	4
2.3 Handles	4
2.4 Thermometer Port	5
2.5 Control Box Door	6
2.6 Control Box - Composite	8
2.7 Control Box - Standard Electrical Components, Remote Monitoring and CFS	10
2.8 Control Box - Controller Module Section and Software Cards	12
2.9 Control Box - Display Module and Communications Interface Module Section	14
2.10 Condenser Fan Motor, Condenser Coil, and Bolted or Hinged Grille Section	16
2.11 Compressor Tubing Section	18
2.12 Receiver Section	20
2.13 Water-Cooled Condenser	21
2.14 Economizer, Economizer Expansion Valve, Economizer Solenoid Valve, & Filter Drier Section	22
2.15 STS and SRS Section	24
2.16 Oil Separator Section	25
2.17 Upper Fresh Air Makeup and Access Panels	26
2.18 Lower Fresh Air Makeup Vent	28
2.19 Evaporator Fan Assembly and Transfresh	30
2.20 Evaporator Coil Section	32
2.21 USDA Option, Probe Kits	34
2.22 Back Panel Assembly - Aluminum Bolted	36
2.23 Back Panel Assembly - Aluminum Bolted with USDA Door	38
2.24 Back Panel Assembly - Aluminum Hinged	40
2.25 Back Panel Assembly - Stainless Steel Hinged	42
2.26 Electronic Partlow Temperature Recorder	48
2.27 Compressor Mounting Components and Guard	50
2.29 Transducers	52
2.30 Cable Restraint Components (Bungy Cords and J-Hooks)	54
2.31 Voltage Cables (460V and 230V)	56

TABLE OF CONTENTS (Continued)

2.32	Autotransformer (With and Without CB2 and Transformer Bridge Unit)	58
2.33	Labels and Decals	60
3.	INTERROGATOR AND ACCESSORIES	62
3.1	Datareader	64
3.2	Interrogator Receptacle	65
4.	COMPRESSOR - SCROLL	66
5.	CONTROLLER/DATACORDER	67
6.	TOOLS	68
	PART NUMBER INDEX	Index 1

INTRODUCTION

1 INTRODUCTION

The Carrier Transicold model 69NT40–551 series units are of lightweight aluminum frame construction, designed to fit in the front of a container and serve as the container front wall.

2 CONFIGURATION IDENTIFICATION

Unit identification information is provided on a plate located near the compressor. The plate provides the unit model number, the unit serial number and the unit parts identification number (PID). The model number identifies the overall unit configuration while the PID provides information on specific optional equipment, factory provision to allow for field installation of optional equipment and differences in detailed parts.

Configuration identification for the models covered herein is provided in the Carrier Transicold Container Unit Matrix at www.container.carrier.com.

3 OPTION DESCRIPTIONS

Various options may be factory or field fitted to the base unit. These options are listed in the tables and described in the following subparagraphs.

3.1 Battery

The refrigeration controller may be fitted with standard replaceable batteries or rechargeable battery pack.

3.2 Dehumidification

The unit may be fitted with a humidity sensor. This sensor allows setting of a humidity set point in the controller. In the dehumidification mode the controller will operate to reduce internal container moisture level.

3.3 Control Box

The control box is composite material and may be fitted with a lockable door.

3.4 Temperature Readout

The unit may be fitted with suction and discharge temperature sensors. The sensor readings may be viewed on the controller display.

3.5 Pressure Readout

The unit is fitted with standard suction and discharge transducers. The transducer readings may be viewed on the controller display.

3.6 USDA

The unit may be supplied with fittings for additional temperature probes which allow recording of USDA Cold Treatment data by the integral DataCORDER function of the Micro-Link refrigeration controller.

3.7 Interrogator

Units that use the DataCORDER function are fitted with interrogator receptacles for connection of equipment to download the recorded data. Two receptacles may be fitted, one accessible from the front of the container and the other mounted inside the container (with the USDA receptacles).

3.8 Remote Monitoring

The unit may be fitted with a remote monitoring receptacle. This item allows connection of remote indicators for COOL, DEFROST and IN RANGE. Unless otherwise indicated, the receptacle is mounted at the control box location.

3.9 Communications.

The unit may be fitted with a communications interface module. The communications interface module is a slave module which allows communication with a master central monitoring station. The module will respond to communication and return information over the main power line. Refer to the ship master system technical manual for further information.

3.10 Compressor

The unit is fitted with a scroll compressor with either standard piping (equipped with suction, discharge, economizer and oil return service valves) or with semi-hermetic piping (equipped with suction, discharge and economizer service connections).

3.11 Condenser Coil

The unit is fitted with a 4 row coil using 7mm tubing.

3.12 Autotransformer

An autotransformer may be provided to allow operation on 190/230, 3phase, 50/60 hertz power. The autotransformer raises the supply voltage to the nominal 380/460 volt power required by the base unit. The autotransformer may also be fitted with an individual circuit breaker for the 230 volt power.

If the unit is fitted with an autotransformer and communications module, the autotransformer will be fitted with a transformer bridge unit (TBU) to assist in communications.

3.13 Temperature Recorder

The unit may be fitted with an electronic recorder manufactured by Partlow Corporation.

3.14 Gutters

Rain gutters may be fitted over the control box and recorder section to divert rain away from the controls. The different gutters include standard length bolted gutters, extended length gutters and riveted gutters.

3.15 Handles

The unit may be fitted with handles to facilitate access to stacked containers. These handles may include fixed handles (located at the sides of the unit) and/or a hinged handle at the center (attached to the condenser coil cover).

3.16 Thermometer Port

The unit may be fitted with ports in the front of the frame for insertion of a thermometer to measure supply and/or return air temperature. If fitted, the port(s) will require a cap and chain.

3.17 Water Cooling

The refrigeration system may be fitted with a water cooled condenser. The condenser is constructed using copper-nickel tube for sea water applications. The water cooled condenser is in series with the air cooled condenser replaces the standard unit receiver. When operating on the water cooled condenser, the condenser fan is deactivated by either a water pressure switch or condenser fan switch.

3.18 Back Panels

Back panel designs that may be fitted include panels of aluminum and stainless steel. Panels may be fitted with access doors and/or hinge mounting.

3.19 460 Volt Cable

Various power cable and plug designs are available for the main 460 volt supply. The plug options tailor the cables to each customer's requirements.

3.20 230 Volt Cable

Units equipped with an autotransformer require an additional power cable for connection to the 230 volt source. Various power cable and plug designs are available. The plug options tailor the cables to each customer's requirements.

3.21 Cable Restraint

Various designs are available for storage of the power cables. These options are variations of the compressor section front cover.

3.22 Upper Air (Fresh Air Make Up)

The unit may be fitted with an upper fresh air makeup assembly. The openings may also be fitted with screens.

3.23 Lower Air (Fresh Air Make Up)

The unit may be fitted with a lower fresh air makeup assembly. These assemblies are supplied in two designs, the standard design and the macro design. The openings may also be fitted with screens.

3.24 Controlled Atmosphere

The units may be fitted with the TransFresh option.

For information on the TransFresh system, contact TransFresh Corporation, P.O. Box 1788, Salinas CA 93902

3.25 Evaporator

The unit is fitted with an evaporator coil and a hermetic thermal expansion valve.

3.26 Evaporator Fan Operation

The units are fitted with Normal Evaporator Fan Operation, opening of an evaporator fan internal protector will shut down the unit.

3.27 Labels

Operating Instruction and Function Code listing labels will differ depending on the options installed. For example, additional operating instructions are required to describe start-up of a unit equipped with an autotransformer. Where the labels are available with additional languages, they are listed in the parts list.

3.28 Plate Set

Each unit is equipped with a tethered set of wiring schematic and wiring diagram plates.

The plate sets are ordered using a seven digit base part number and a two digit dash number. **(See Unit Matrix)**

3.29 Controller

Two different controllers are available:

1. Remanufactured - Controller is the equivalent of a new OEM controller and is supplied with a 12 month warranty.

2. Repaired - Controller has had previous faults repaired and upgraded with the latest software.

Note: Repaired controllers are NOT to be used for warranty repairs only full OEM Remanufactured controllers are to be used.

Controllers will be factory equipped with the latest version of operational software, but will NOT be configured for a specific model number and will need to be configured, at the time of installation or sale.

3.30 Stepper Drive

All the units covered by this manual have suction modulating valves which act to control system capacity. Units indicated as being fitted with "stepper drive" have digital control motors fitted to the suction modulating valve to open and close the valve in steps as required.

3.31 Condenser Grille

Two styles of condenser grilles are available, direct bolted grilles and hinged grilles.

OPTION LEGEND

General	
-	Feature Not Applicable
X	Features that apply to model
P	Factory Installation of Equipment to Allow Field Installation
Battery Codes	
S	Standard (throw away) Cells
R	Rechargeable Cells
Control Box Codes	
C	Composite Box Without Door Lock
CL	Composite Box With Door Lock
Pressure Readout Codes	
T	Factory Installed Pressure Transducers
USDA Codes	
D	Option D
V	Option V
1	Option 1
2	Option 2
Interrogator Codes	
1	Left Straight Mount
2	Right Mount
3	Box Mount
4	Left Mount
5	Left Angled Mount
6	Right Mount
Communications Codes	
1	Standard
2	High Data Rate
3	Chipset Modem
4	Low Data Rate
Compressor Codes	
S	Scroll
SS	Scroll with Semi-Hermetic Piping
Condenser/Receiver Codes	
4	Four Row Coil
5	Five Row Coil
L	Large Receiver
AutoTransformer Codes	
1	Transformer Fitted
2	Transformer With CB2 Fitted
3	Transformer With CB2 and Receptical
4	Transformer With CB2 and Transformer Bridging Unit

Temperature Recorder Codes	
7	Standard Electronic Partlow
8	Special Electronic Parlow
9	No Temperature Recorder
10	Electronic Partlow (Both)
Gutter Codes	
1	Standard Length Bolted Gutters
3	Extended Length Gutters
4	Riveted Gutters
Handle Codes	
1	Two Side and One Center
2	Two Side
3	One Center
4	One Right Side and Two Center
Thermometer Port Codes	
1	Supply Air Port
2	Return Air Port
B	Both Ports
Water Cooling Codes	
W	Water Pressure Switch
F	Condenser Fan Switch
Back Panel Codes	
1	Bolted Panels
2	Bolted Panels With USDA Door
3	Bolted Panels With Probe Access Door
4	Hinged Panels
5	Hinged Stainless Steel Panels
460 Volt Cable Codes	
1	Option1
2	Option 2
3	Option 3
4	Option 4
5	Option 5
6	Option 6
7	Option 7
8	Option 8
9	Option 9

230Volt Cable Codes	
1	Option 1
2	Option 2
3	Option 3
4	Option 4
5	Option 5
6	Option 6
7	Option 7
8	Option 8
9	Option 9
10	Option 10
Cable Restraint Codes	
1	Cable Door
2	Left Bungy Cord Only
3	J-Hook
4	Left and Right Bungy Cord
5	Left Bungy Cord With Left Extended Guard
6	Left & Right Bungy Cords With Extended Guards
R	Dummy Receptical
Upper Air Codes	
1	No Upper Fresh Air
2	Upper Fresh Air Installed
3	Upper Fresh Air Installed With Screen
4	Upper Fresh Air Installed With VPS

Lower Air Codes	
1	No Lower Fresh Air
2	Lower Fresh Air Installed
3	Lower Fresh Air With Screen Installed
3	Lower Fresh Air Installed With VPS
Controlled Atmosphere	
1	TransFresh
2	Carrier Transicold Everfresh System
Arctic Mode Codes	
C	Crankcase Heater
L	Drainline Heater
B	Both Crankcase Heater & Drainline Heater
Condenser Grille Codes	
B	Bolted Grille
H	Hinged Grille
Evaporator Codes	
4	Helicox Hatched
6	Streamline Coil
Evaporator Fan Codes	
1	Normal Evaporator Fan Operation
Label Codes	
1	English
2	English / Spanish
5	English / Traditional Chinese
Emergency Bypass Codes	
B	Emergency Bypass & Emergengy Defrost
EB	Emergency Bypass Only

Ordering Instructions

All orders and inquiries for parts must include: Parts Identification Number (**PID**), Model Number, Unit Serial Number, Part Number, Description of part as shown on list and Quantity required. Address all correspondence for parts to the following address:

CARRIER TRANSICOLD DIVISION
 Replacement Components Group, TR-20
 P.O. Box 4805, Syracuse, New York 13221
 or FAX to: (315) 432-3778

Letter Designations

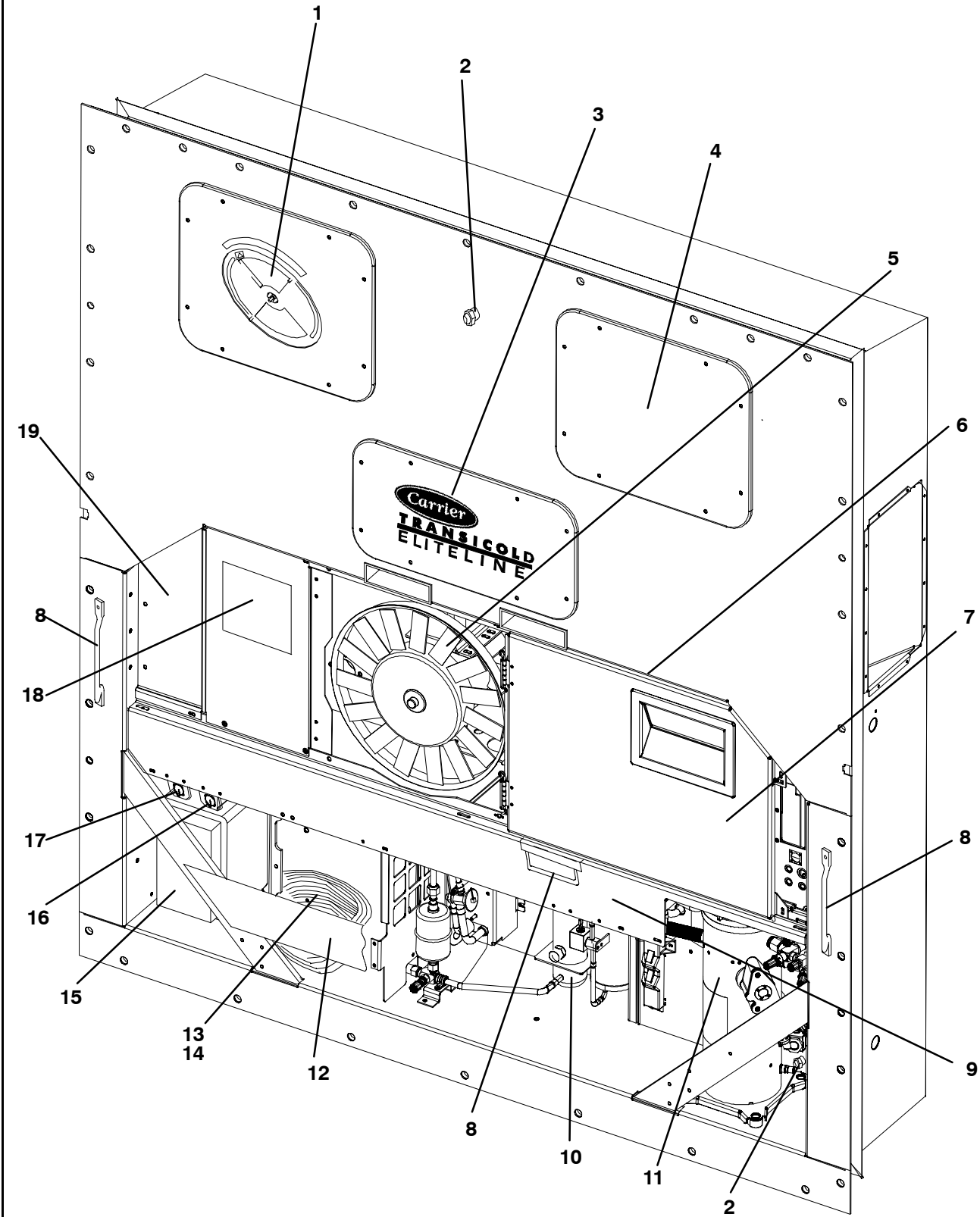
The following letter designations are used to classify parts throughout this list:

- A/R= *As Required*
- N/A= *Not Available*
- NS = *Not shown in illustration*
- NSS = *Not sold separately - Order next higher assembly or kit*
- PID = *Parts Identification Number - essential to identify unit configuration.*
- PL = *Purchase Locally*
- SST = *Stainless Steel - 300 Series unless otherwise specified.*
- SV = *Suffix SV - added to part number designates service replacement part.*

1 QUICK LIST - CLAMPS, FILTER-DRIER, FUSE, TY-RAPS, WIRE TERMINALS AND REPLACEMENT UNIT FRAMES

PART NO.	DESCRIPTION
34-00373-51	Clamp, Tube, 1/4 - SST
34-00373-53	Clamp, Tube, 3/8 - SST
34-00373-05	Clamp, Tube, 1/2 - SST
34-00373-07	Clamp, Tube, 5/8 - SST
34-00373-59	Clamp, Tube, 3/4 - SST
34-00373-11	Clamp, Tube, 7/8 - SST
34-00373-65	Clamp, Tube, 1-1/8 - SST
34-00373-88	Clamp, Tube, 1-1/4 - SST
34-00373-69	Clamp, Tube, 1-3/8 - SST
34-00373-71	Clamp, Tube, 1-1/2 - SST
22-00066-01	Connector, Butt End, Wire Range - 22 to 16 AWG
22-00066-02	Connector, Butt End, Wire Range - 16 to 14 AWG
22-00066-03	Connector, Butt End, Wire Range - 12 to 10 AWG
22-00041-00	Connector, Closed End, Wire Range - 22 to 14 AWG
22-00041-02	Connector, Closed End, Wire Range - 18 to 10 AWG
14-00311-02SV	Filter-Drier
22-02336-02	Fuse, 5 Amp (F1 & F2)
22-02336-04	Fuse, 10 Amp (FEB)
22-02336-08	Fuse, 7.5 Amp (F3A & F3B)
22-01140-01	Ring Terminal, #6, Wire Range - 12 to 10 AWG
22-01140-02	Ring Terminal, #10, Wire Range - 12 to 10 AWG
22-01140-04	Ring Terminal, 3/8, Wire Range - 12 to 10 AWG
22-00119-04	Ring Terminal, 1/4, Wire Range - 12 to 10 AWG
22-00120-04	Ring Terminal, #10, Wire Range - 16 to 14 AWG
22-00120-07	Ring Terminal, 5/16, Wire Range - 16 to 14 AWG
22-00121-07	Ring Terminal, #10, Wire Range - 22 to 16 AWG
22-01139-04	Ring Terminal, 3/8, Wire Range - 16 to 14 AWG
22-01141-01	Spade Terminal, 1/4 x 5/16, Wire Range - 16 to 14 AWG
22-00595-01	Spade Terminal, 3/8, Wire Range - 12 to 10 AWG
22-01106-00	Spiral Wrap, 1/4 Diameter x 25 ft. lg.
22-01107-00	Spiral Wrap, 1/2 Diameter x 25 ft. lg.
66U1-3803	Tube, Heat Shrink, 1/4 ID x 2-1/8 lg.
66U1-3803-1	Tube, Heat Shrink, 1/2 ID x 2-3/4 lg.
44-01043-05	Ty-Raps, 5-1/2 inches lg.
44-01043-07	Ty-Raps, 11.00 inches lg.
22-50007 Series	Wire Markers
07-00345-00	Sealant, Pipe (Used to seal fittings on unit with R-134a)
07-00313-00	Cleaner, Coil
76-00397-00	Paint, Compressor Touch-Up, Blue
69NT-43-468	Unit Frame , Service Replacement
69NT-43-468-1	Contact Carrier Replacement Components Group for application

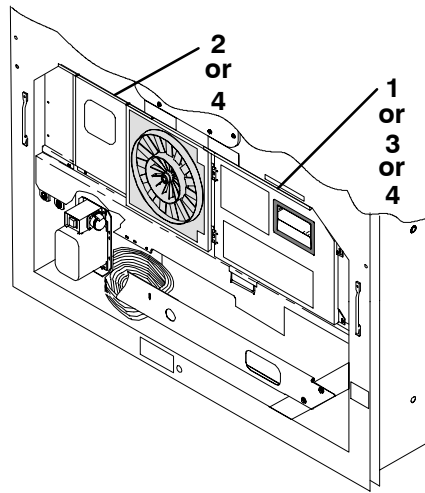
2 REFRIGERATION UNIT ASSEMBLY
2.1 REFRIGERATION UNIT - AREA LOCATOR



2.1 REFRIGERATION UNIT - AREA LOCATOR

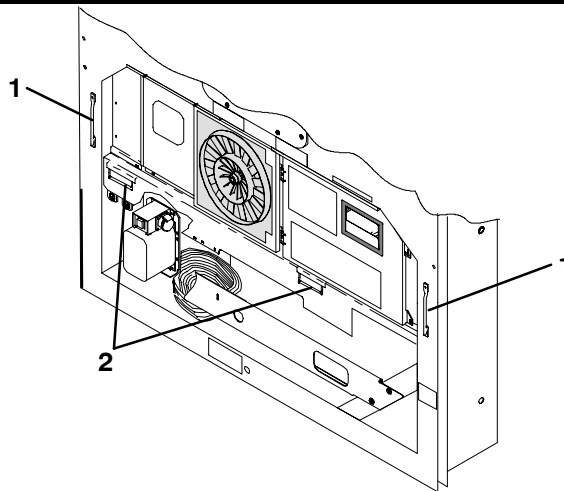
Item	Section Number	Area Description
1	Refer to Section 2.17	Upper Fresh Air Makeup & Access Panels
2	Refer to Section 2.4	Thermometer Port
3	Refer to Section 2.32	Labels and Decals
4	Refer to Section 2.19	Evaporator Fan Assembly
5	Refer to Section 2.10	Motor, Condenser Fan
6	Refer to Section 2.2	Rain Gutters
7	Refer to Section 2.9	Box, Control
8	Refer to Section 2.3	Handles
9	Refer to Section 2.10	Coil, Condenser
10	Refer to Section 2.12 or 2.13	Receiver or Water-Cooled Condenser
11	Refer to Sections 2.27 or 4	Compressor
12	Refer to Section 2.27	Guard, Compressor
13	Refer to Section 2.30	Cable, Power
14	Refer to Section 2.30	Plug, Power
15	Refer to Section 2.31	Autotransformer
16	Refer to Section 2.19	Transfresh
17	Refer to Section 3	Interrogator and Accessories
18	Refer to Section 2.26	Temperature Recorder
19	Refer to Section 2.18	Lower Fresh Air Makeup

2.2 RAIN GUTTERS



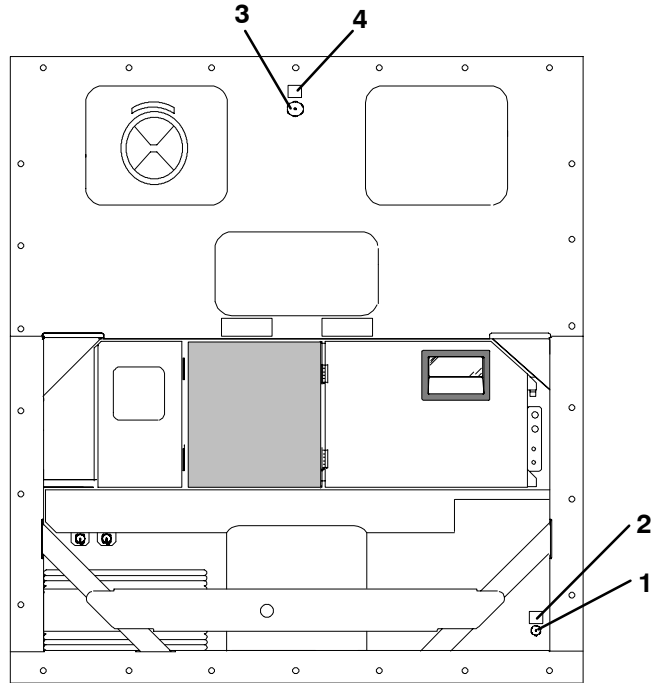
Item	Part Number	Description	Qty
OPTION 1 - STANDARD LENGTH - BOLTED			
1	69NT35-3987	Gutter, Rain (Bolted, Standard - Right Side)	1
2	69NT35-3997-1	Gutter, Rain (Bolted, Standard & Extended Length - Left Side)	1
OPTION 3 - EXTENDED LENGTH - BOLTED			
2	69NT35-3997-1	Gutter, Rain (Bolted, Standard & Extended Length - Left Side)	1
3	69NT35-8548	Gutter, Rain (Bolted - Right Side)	1
OPTION 4 - RIVETED			
4	68-12417-00	Gutter, Rain (Riveted - Right and Left Side)	2

2.3 HANDLES



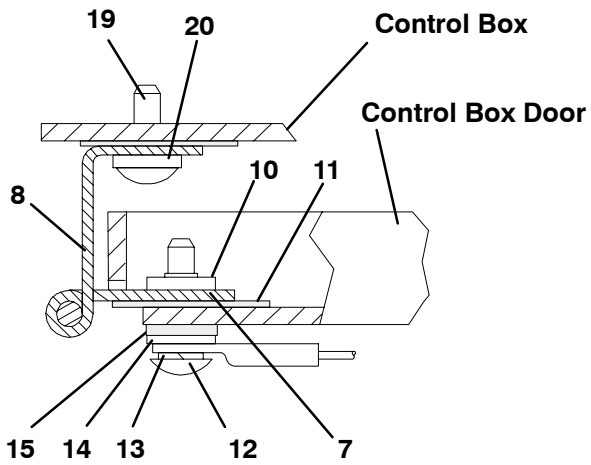
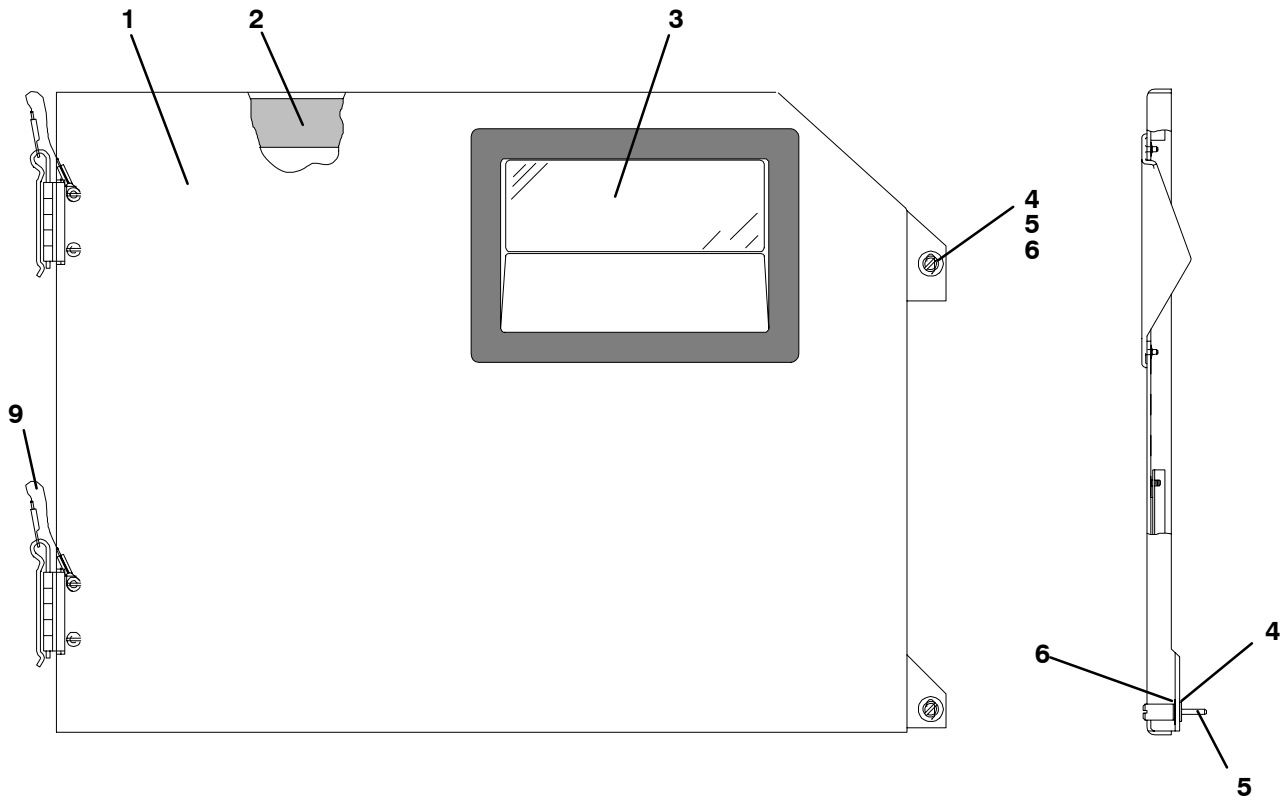
Item	Part Number	Description	Qty
OPTION 1 - TWO SIDE, ONE CENTER			
1	69NT35-8113	Handle, Fixed	2
2	69NT40-657-2	Handle, Hinged	1
OPTION 2 - TWO SIDE			
1	69NT35-8113	Handle, Fixed	2
OPTION 3 - ONE CENTER			
2	69NT40-657-2	Handle, Hinged	1
OPTION 4 - ONE SIDE, TWO CENTER			
1	69NT35-8113	Handle, Fixed	1
2	69NT40-657-2	Handle, Hinged	2

2.4 THERMOMETER PORT

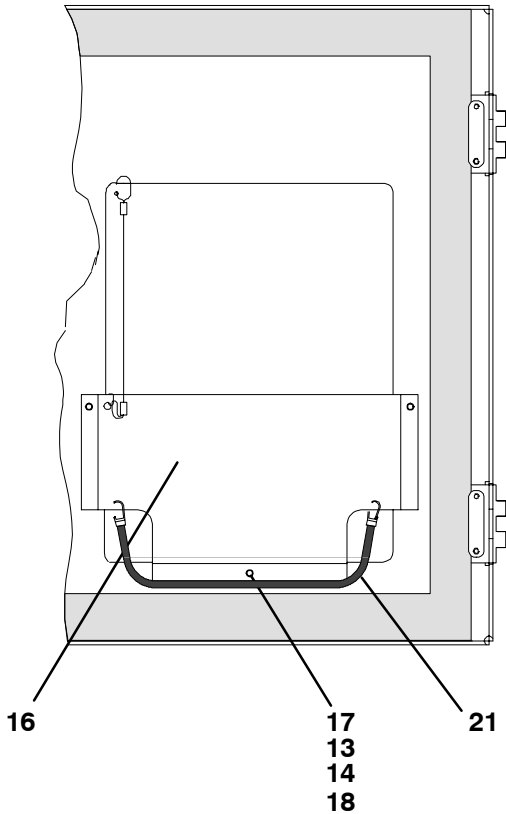


Item	Part Number	Description	Qty
OPTION 1 - SUPPLY AIR PORT			
1	66U1-8662	Cap & Chain Assembly	1
2	62-10557-00	Label	1
OPTION 2 - RETURN AIR PORT			
3	66U1-8662	Cap & Chain Assembly	1
4	62-10557-00	Label	1
OPTION B - SUPPLY AND RETURN PORTS			
1 & 3	66U1-8662	Cap & Chain Assembly	2
2 & 4	62-10557-00	Label	2

2.5 CONTROL BOX DOOR - LCD and LED Displays



HINGE ASSEMBLY - SECTIONAL VIEW

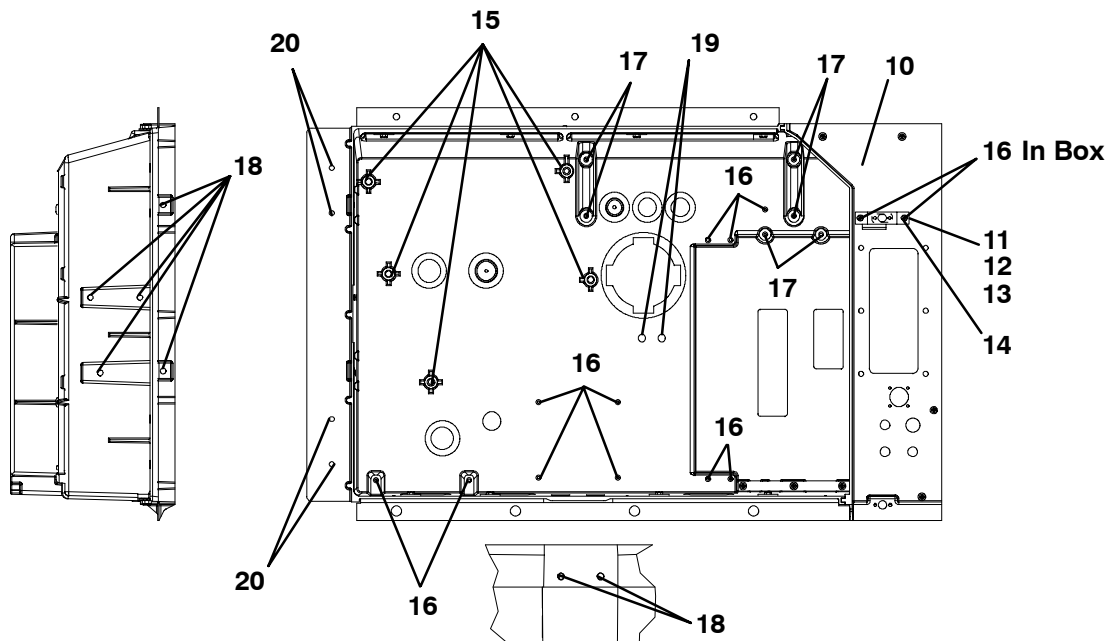
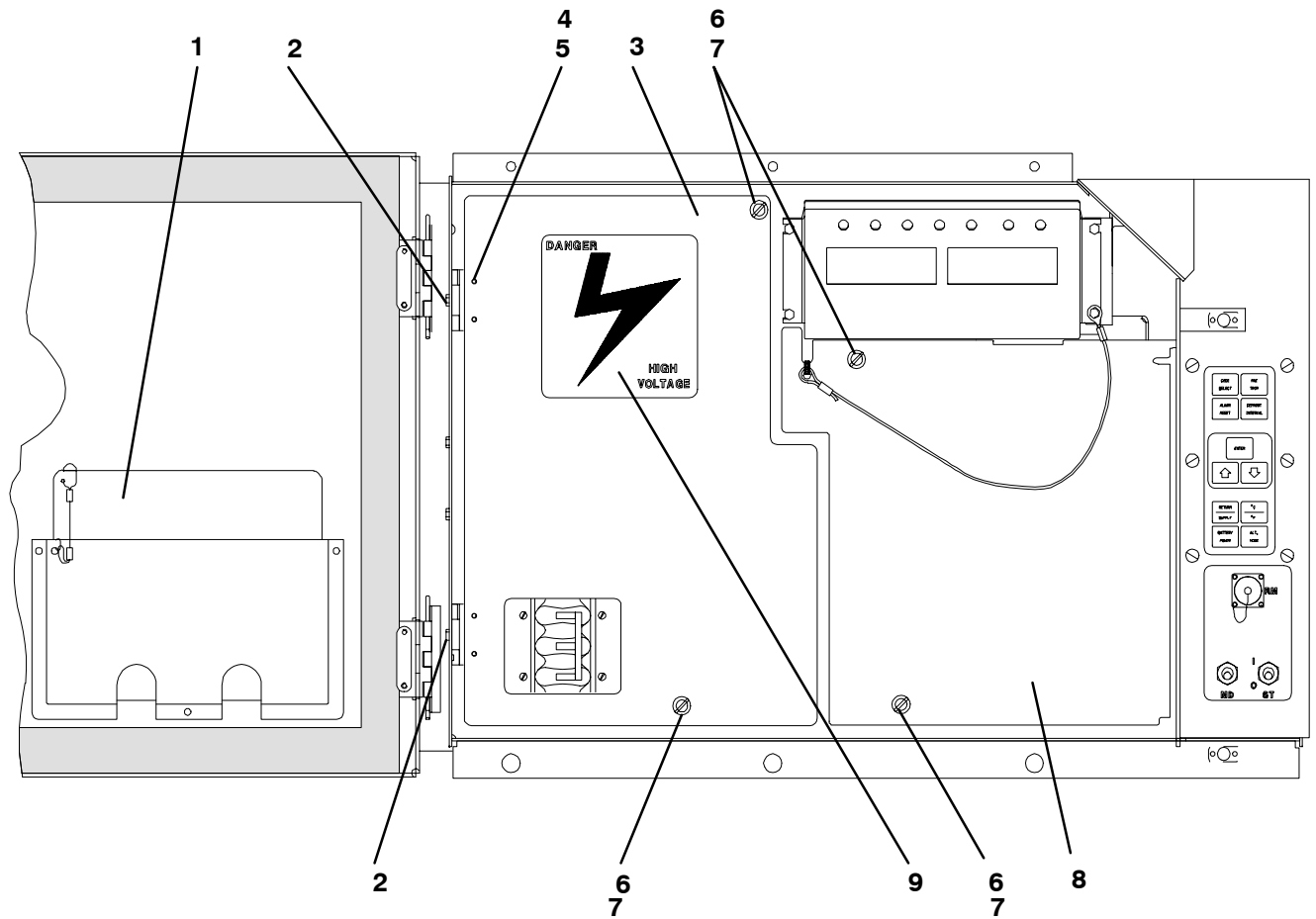


DOOR ASSEMBLY - PARTIAL BACK VIEW

2.5 CONTROL BOX DOOR - LCD and LED Displays

Item	Part Number	Description	Qty
OPTION 1, LCD DISPLAY			
1	69NT42-688-7	Door Assembly , LCD Display, Includes:	1
2	42-00270-02	Gasket, Door	1
3	58-04366-00SV	Window and Gasket Assembly, Control Box Door - Lexan	1
4	34-06169-00	Washer, Retaining - SST	2
5	66U1-6811-8	Screw, Retaining, Panel, 0.300-0.625 - SST	2
	66U1-6811-15	Screw, Retaining, Wing, 0.300-0.625 - SST	2
6	34-06053-00	Washer, Mylar, 0.250 ID x 0.800 OD	4
7	44-00300-01	Hinge, Half	1
8	44-00300-02	Hinge, Half	1
9	44-00300-03	Pin Assembly, with Tether	1
10	34-01167-01	Retainer, Nut	2
11	58-04101-00	Protector, Mylar (Hinge)	2
12	66U1-2403-1	Screw, Truss Head, #10-24 x 3/4 lg. - SST	4
13	66U1-5331-3	Washer, Lock, #10 - SST	7
14	66U1-5321-8	Washer, Flat, #10 - SST	7
15	34-06053-05	Washer, Mylar, 0.205 ID x 0.600 OD	4
16	68-13577-00	Pocket, Placard	1
17	34-00665-09	Locknut, Hex Head, #10-24 - SST	3
18	34-06107-00	Rivet, Blind, 1/8 Diameter, Grip Range - 0.188-0.250	3
19	66U1-5371-7	Screw, #10-24 x 1/2 lg. - SST	4
20	66U1-5321-8	Washer, Flat, #10 - SST	4
21	58-04346-00	Door Strap Kit	1
OPTION 2, LED DISPLAY			
1	79-01911-00	Door Assembly , LED Display, Includes:	1
2	42-00270-02	Gasket, Door	1
3	69NT35-5022-6	Window	1
	42-00611-00	Foam, Double Coated	1
4	34-06169-00	Washer, Retaining - SST	2
5	66U1-6811-8	Screw, Retaining, Panel, 0.300-0.625 - SST	2
	66U1-6811-15	Screw, Retaining, Wing, 0.300-0.625 - SST	2
7	44-00300-01	Hinge, Half	1
8	44-00300-02	Hinge, Half	1
9	44-00300-03	Pin Assembly, with Tether	1
10	34-01167-01	Retainer, Nut	2
12	66U1-2403-1	Screw, Truss Head, #10-24 x 3/4 lg. - SST	4
13	34-00663-09	Washer, Lock, #10 - SST	4
14	66U1-5321-8	Washer, Flat, #10 - SST	4
15	34-06053-05	Washer, Mylar, 0.205 ID x 0.600 OD	4
16	58-04389-00	Pocket, Placard	1
17	34-00795-09	Locknut, Hex Head, #10-24 - SST	6
18	34-06107-00	Rivet, Blind, 1/8 Diameter, Grip Range - 0.188-0.250	3
20	66U1-5321-8	Washer, Flat, #10 - SST	4

2.6 CONTROL BOX



OPTION C & CL - COMPOSITE BOX

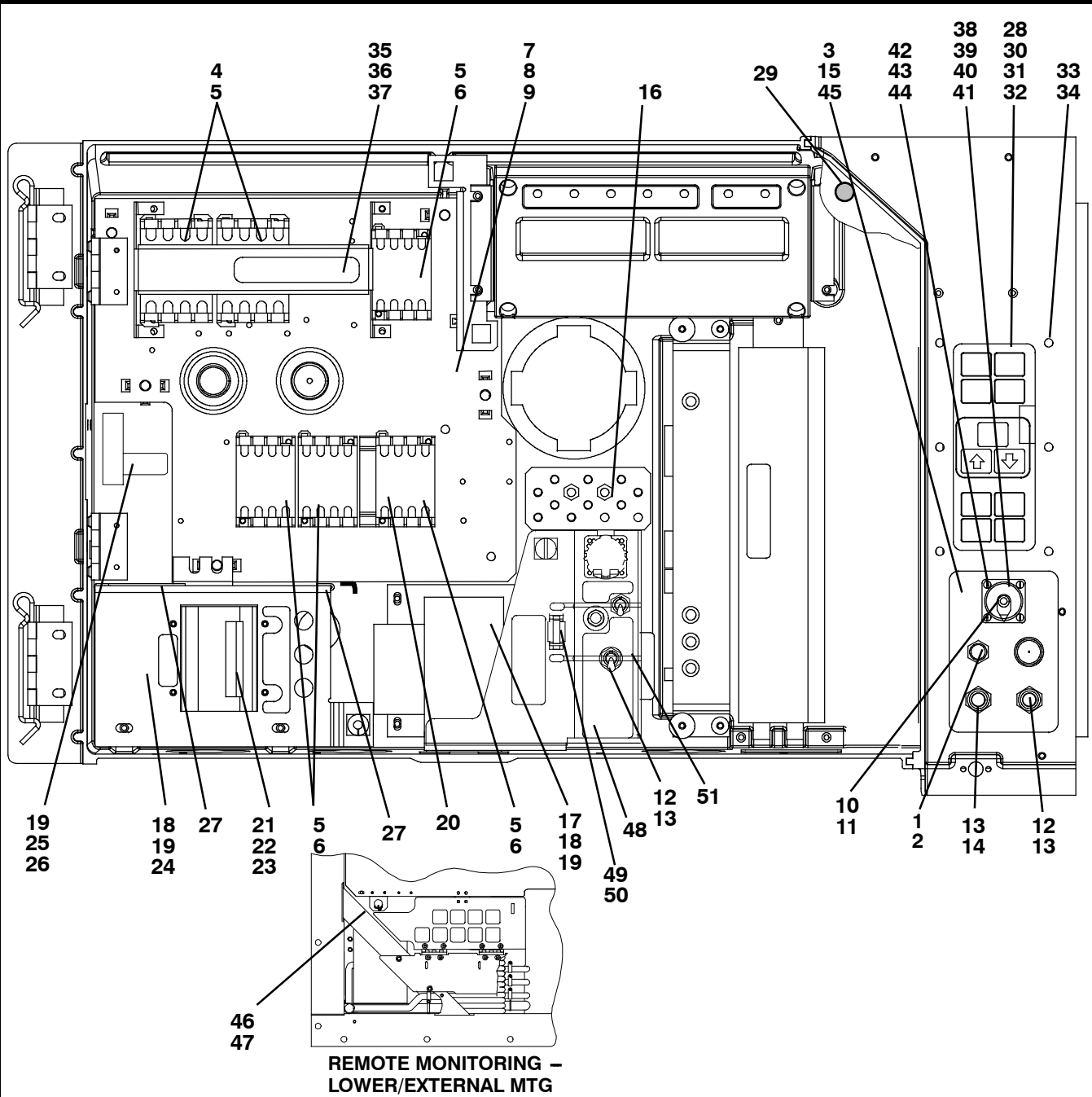
2.6 CONTROL BOX (Continued)

Item	Part Number	Description	Qty
1	-	Plate, Schematic & Diagram (Refer to T-300, Container Unit Matrix)	1
2	66U1-2403	Screw, Truss Head, #10-24 x 1/2 lg. - SST	2
3	69NT43-125-1	Shield, High Voltage (Plastic) - Includes:	1
4	44-00343-00	Hinge	2
5	34-00928-02	Rivet, Blind, 1/8 Diameter, Grip Range - 1/8-3/16 - SST	4
6	34-50015-00	Stud & Retainer Package - Includes:	4
NS	NSS	Stud, Fastener	1
NS	NSS	Retainer, Fastener Stud	1
7	34-06139-03	Receptacle	4
8	69NT43-124-4	Shield, Low Voltage (Lexan) - With Tether	1
9	62-03957-01	Label, Danger-High Voltage	1
10	58-04668-00	Control Box, Standard Composite	1
11	69NT35-6272	Bracket, Non-Locking	1
	69NT35-2287	Bracket, Locking (See Note 1)	1
12	34-01142-01	Receptacle, Retaining	1
13	34-00928-01	Rivet, Blind, 1/8 Diameter, Grip Range - 1/16 - 1/8	2
	34-00928-02	Rivet, Blind, 1/8 Diameter, Grip Range - 1/18 - 3/16 (See Note 2)	2
14	66U1-2403	Screw, Truss Head, #10-24 x 1/2 lg. - SST	2
NS	76-00724-00SV	Crack, Chip and Hole Repair Kit	1
NS	76-50084-00SV	Insert Repair Kit - Includes:	1
15	34-06231-01	Insert - 17.53 x 9.91 mm (.690 x .390 in) 1/4-20 Threads - NSS	10
16	34-06231-03	Insert - 15.88 x 6.35 mm (.625 x .250 in) 10-24 Threads - NSS	10
17	34-06231-04	Insert - 25.15 x 7.54 mm (.990 x .297 in) 10-24 Threads - NSS	10
18	34-06231-05	Insert - 10.16 x 9.53 mm (.400 x .375 in) 10-24 Threads - NSS	10
19	34-06231-06	Insert - 12.70 x 9.91 mm (.500 x .390 in) 1/4-20 Threads - NSS	10
20	34-06231-07	Insert - 9.53 x 6.76 mm (.375 x .266 in) 10-24Threads - NSS	10
NS	02-00082-00	Durabond Epoxy - NSS	1
NS	07-00390-00	Static Mixing Tube - NSS	1
NS	07-00391-00	Application Gun - Required for Insert Repair	1

NOTES

1. The bracket is bolted to the control box - order 69NT35-2287 for locking bracket.
2. When 69NT35-2287 is used, 34-00928-02, rivet, is to be used in the upper door location.

2.7 CONTROL BOX - SHIELDS REMOVED, STD ELECTRICAL COMPONENTS, RM, CFS, EBS AND ED



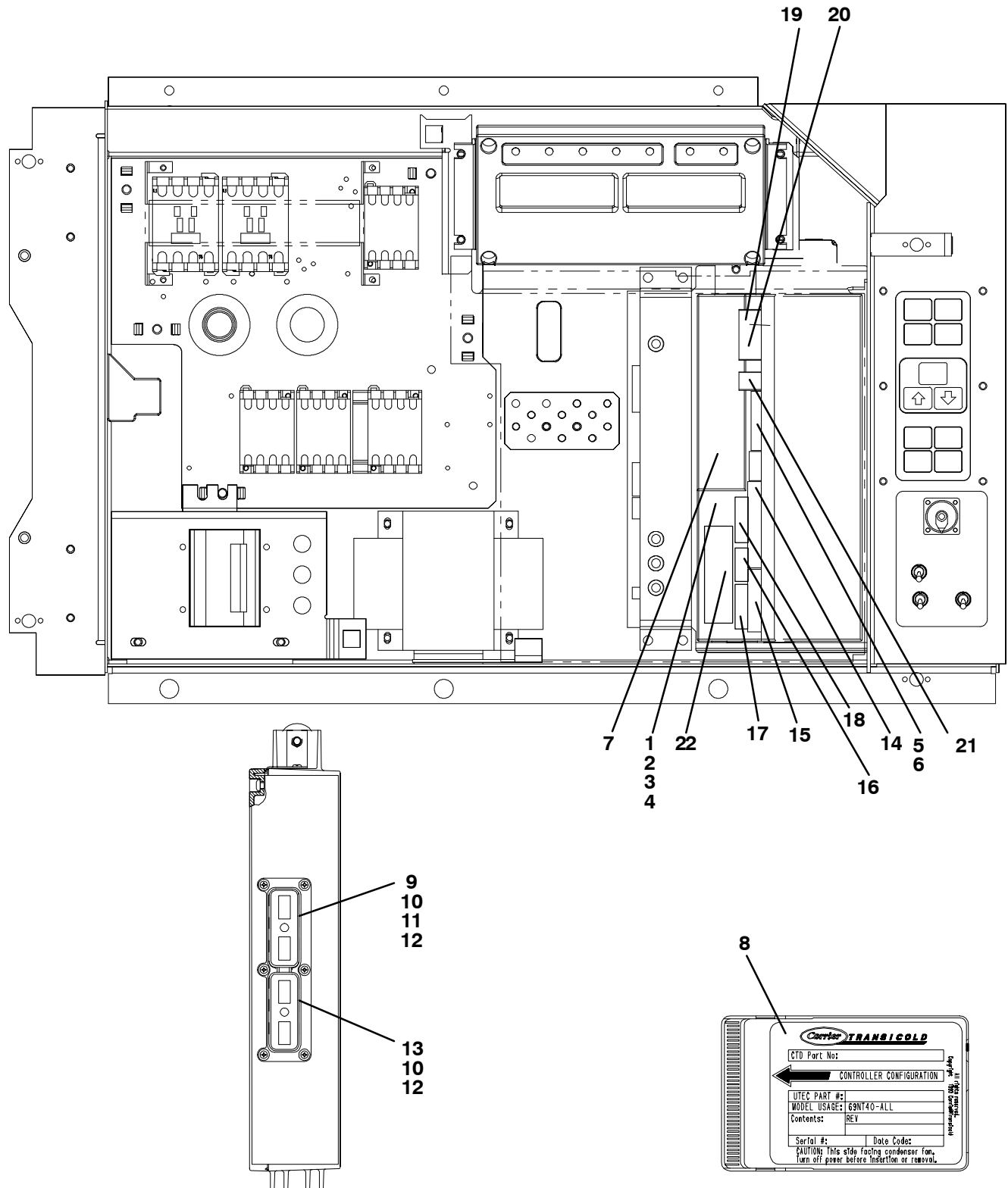
Item	Part Number	Description	Qty
OPTION F - CONDENSER FAN SWITCH			
1	10-00298-01	Switch, Toggle (CFS)	1
2	66U1-9752	Seal, Bushing	1
3	58-04145-06	Plate, Switch (with Extra Switch Location)	1
OPTION 1 - NORMAL EVAPORATOR FAN OPERATION			
See Items 5 and 6 for Correct Contactor Placement			
4	10-00431-07	Contactor, Compressor (CH) (30 Amp)	2
5	34-06243-00	Screw, Hex Head w/ Washer, #8-32 x 5/8 lg. - SST	12
6	10-00431-06	Contactors, (CF), (HR) & (EF & ES) (12 Amp)	4
7	68-13427-00SV	Panel, Contactor - Includes:	1
8	58-00967-00	Spacer (Used With Sheet Metal Control Box Only)	5

2.7 CONTROL BOX - SHIELDS REMOVED, STANDARD ELECTRICAL COMPONENTS (Continued)

Item	Part Number	Description	Qty
9	34-06224-01	Screw, Hex Head, Captive Washer 1/4-20 x 0.62 lg. - SST	4
10	34-00928-01	Rivet, Blind, 1/8 Diameter, Grip Range - 1/16 - 1/8	6
11	34-01142-01	Receptacle	1
12	10-01129-07	Switch, Toggle (On-Off)	1
13	66U1-9752	Seal, Bushing	1
14	10-01129-10	Switch, Toggle (MDS) (if equipped)	1
15	58-04145-01	Plate, Switch	1
16	69NT41-982-3	Plate, Ground	1
17	10-00332-21SV	Transformer, Base Unit	1
18	66U1-5371-7	Screw, Hex Head, #10-24 x 1/2 lg. - SST	A/R
19	66U1-5321-8	Washer, Flat, #10 - SST	A/R
20	10-00431-02	Contact, Auxiliary	1
21	34-00663-07	Washer, Lock, #6 - SST	4
22	66U1-7842-13	Circuit Breaker - 460 vac, 25 Amp (CB1)	1
23	66U1-6651-4	Screw, Pan Head, #6-32 x 3/8 lg. - SST	4
24	69NT35-6278	Bracket, Circuit Breaker	1
25	10-00439-01	Transformer, Current Sensing (CS)	1
26	34-06223-00	Screw, Captive Washer, #10-24 x 0.56 lg. - SST	2
27	66CH1-1172-46	Trim, Flexible (85 Feet Long, Cut to Length)	A/R
28	79-66669-00	Pad, Key - Includes:	1
29	NSS	Dot, Indicator (Green) - See Note	1
30	NSS	Gasket (Between Key Pad Plate Assembly and Connector)	1
31	NSS	Gasket (Between Key Pad and Key Pad Plate Assembly)	1
32	NSS	Plate Assembly, Key Pad Mounting	1
33	34-66629-05	Screw, Pan Head, #10-24 X 3/4 lg. - SST	6
34	34-06212-10	Washer, Plain, #10	6
35	58-04260-00	Cover, Clear	1
36	66U1-5391-2	Screw, Pan Head (Thread Cutting), #8-32 x 1/2 lg. - SST	4
37	34-00662-08	Washer, Plain, #8	4
REMOTE MONITORING (STANDARD LOCATION)			
38	22-02341-00	Receptacle, Remote Monitoring (RM)	1
39	22-02368-00	Plug, Remote Monitoring	1
40	22-02341-01	Cap and Tether, Receptacle Assembly	1
41	66U1-6835	Gasket, Remote Monitoring Receptacle	1
42	34-00848-10	Screw, Round Head, #4-40 x 5/8 lg. - SST	4
43	66U1-5321-6	Washer, Flat, 0.125 ID - SST	4
44	34-00667-05	Nut, Self Locking, #4-40 - SST	4
45	58-04145-00	Plate, Switch, with RM	1
REMOTE MONITORING (LOWER LEFT/EXTERNAL LOCATION)			
46	22-01889-00	Receptacle, Remote Monitoring (RM)	1
47	69NT40-222	Bracket	1
EMERGENCY BYPASS			
48	10-00446-00	Emergency Bypass Module	1
49	22-02336-04	Fuse, 10 Amp (FEB)	1
50	22-01455-03	Fuse Holder	1
51	66U1-5371-10	Wire Tire	2

Note: If unit is not already fitted with a green indicator dot (Item 29) on the upper right corner of the control box door, install dot as illustrated.

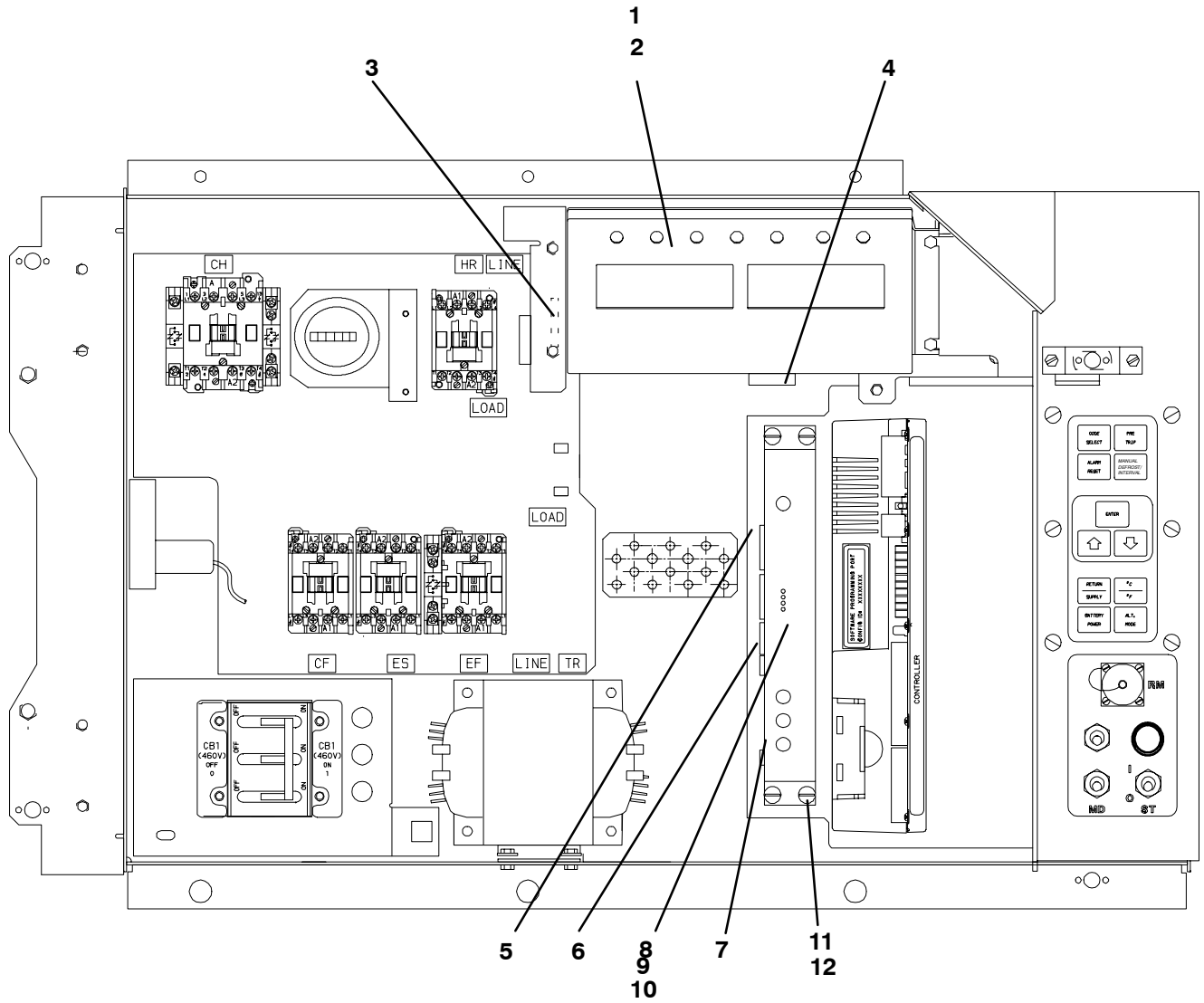
2.8 CONTROL BOX - CONTROLLER MODULE SECTION AND SOFTWARE CARDS



2.8 CONTROL BOX - CONTROLLER MODULE SECTION AND SOFTWARE CARDS

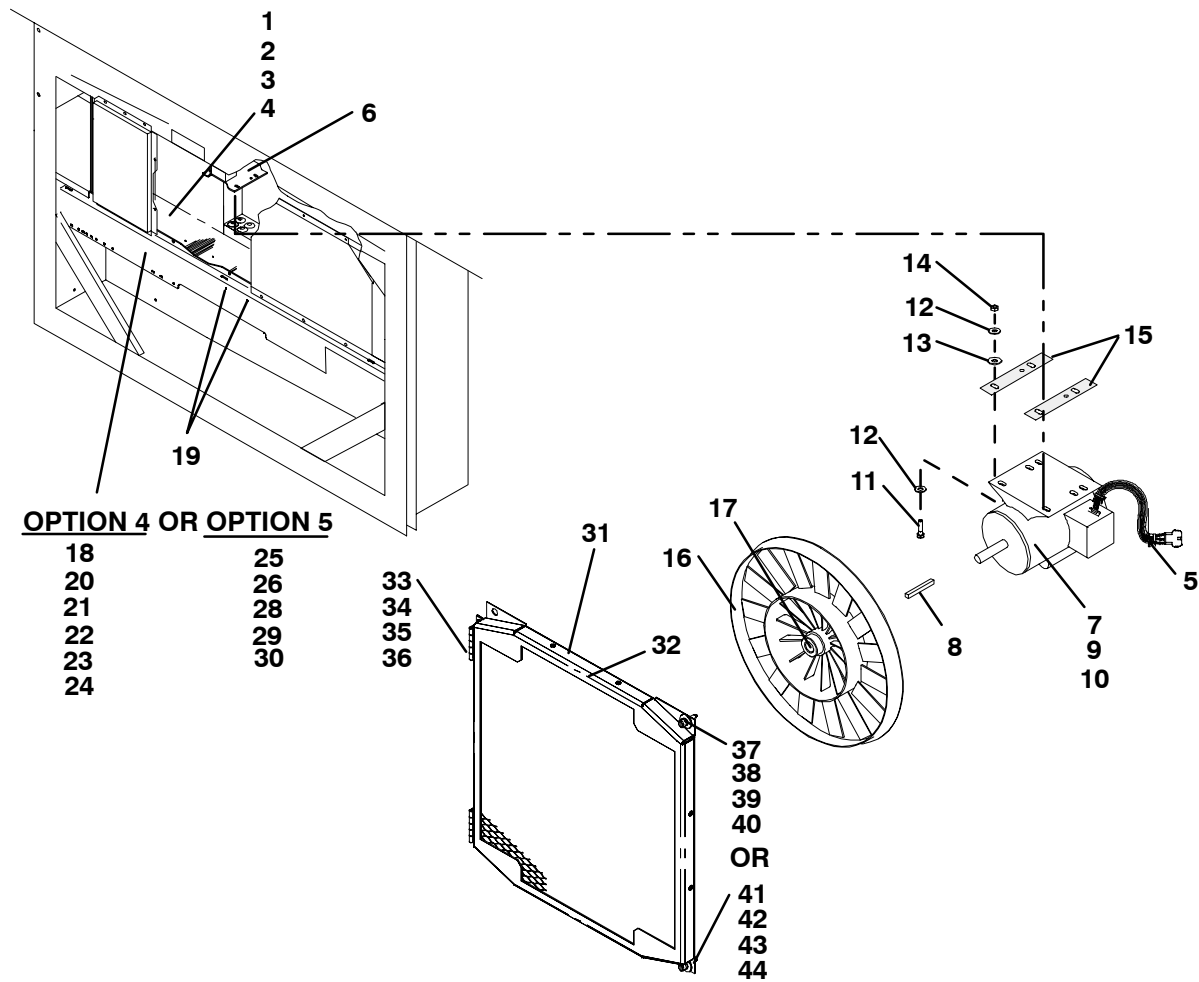
Item	Part Number	Description	Qty
1	-	Module, Controller/DataCORDER - Refer to Section 5 - Includes:	-
2	66U1-5371-7	Screw, Hex Head, #10-24 x 1/2 lg. - SST	1
3	69NT35-2692	Washer, Fender, 0.063 Thick - SST	1
4	58-01184-00	Retainer, Screw, 0.141 ID	1
5	22-02336-08	Fuse, 7.5 Amp (F3A & F3B)	3
6	22-02336-02	Fuse, 5 Amp (F1 & F2)	1
7	62-02719-00	Label, Controller/DataCORDER Port	1
8	12-00594-xx/5315	Card, Controller/DataCORDER Operation Software	1
9	22-01777-00SV	Connector (EC A-K) - 30 Pin	1
10	22-01777-03	Socket, 20 AWG	35
11	22-50100-00	Socket, 18 AWG	4
12	22-01777-04	Plug, Sealing	21
13	22-01777-01SV	Connector (EC L-Y) - 30 Pin	1
14	22-01556-02	Connector (KA) - 14 Pin	1
15	22-01556-01	Connector (KB) - 10 Pin	1
NS	22-01621-23	Connector (KP) - 9 Pin (Connects to Ribbon Cable)	1
16	22-4031-00	Connector (KD) - 4 Pin	1
17	22-4031-01	Connector (KE) - 5 Pin	1
18	22-4031-02	Connector (KC) - 6 Pin	1
19	22-01622-01	Connector (MA) - 12 Pin	1
20	22-01622-02	Connector (MB) - 16 Pin	1
21	22-01622-00	Connector (MC) - 8 Pin	1
NS	09-00369-00SV	Battery, Real Time Clock, (Within the Controller)	1
NS	22-50157-00	Wire Harness, Controller to Current Sensing Transformer)	1
NS	22-01713-06	Wire Harness, Display Module to Controller/DataCORDER Module	1
NS	62-02735-00	Label, Warning, Don't use 12-00327 ! -(Located on the control box behind the Controller/DataCORDER module.)	1
NS	62-02738-08	Label, Warning, 53xx Series - (Located on the high & low voltage shields)	1
NS	62-02738-04	Label, Warning, 53xx Series - (Located on the bottom panel of the control box between the Communications Interface module and the switch panel.)	1
OPTION R - RECHARGEABLE BATTERY PACK			
22	30-00407-02SV	Battery Pack - Controller/DataCORDER Module	1

2.9 CONTROL BOX - DISPLAY MODULE AND COMMUNICATIONS INTERFACE MODULE SECTION



2.9 CONTROL BOX - DISPLAY MODULE AND COMMUNICATIONS INTERFACE MODULE SECTION			
Item	Part Number	Description	Qty
1	12-00433-00RP	Module, LCD Display (Option 1)	1
	12-00433-02 RP	Module, LED Display (Option 2)	1
2	34-06223-01	Screw, Hex Head, #10-24 x 1/2 lg. - SST	4
3	22-01621-03	Connector (MK) - 9 Pin	1
4	22-01556-06	Connector (MB) - 16 Pin	1
5	22-01556-04	Connector (CIC) - 7 Pin	1
6	22-02396-02	Connector (CIB) - 3 Pin	1
7	22-01556-00	Connector (CIA) - 7 Pin	1
NS	22-01713-02	Wire Harness, Key Pad to Display Module	1
OPTION 2 - COMMUNICATIONS INTERFACE MODULE - HIGH DATA RATE			
8	12-00573-00SV	Module, Communications Interface - Includes:	1
9	66U1-3442-2	Stud, Fastener, 1/4 turn, 0.705 lg. - SST	4
10	66U1-9212-1	Retainer, Push-on	4
11	34-06223-00	Screw, Captive Washer #10-24 x 0.56 - SST	2
12	58-01184-01	Retainer, Screw .75 O.D.	2
OPTION 4 - COMMUNICATIONS INTERFACE MODULE - LOW DATA RATE			
8	12-00275-19SV	Module, Communications Interface - Includes:	1
9	66U1-3442-2	Stud, Fastener, 1/4 turn, 0.705 lg. - SST	4
10	66U1-9212-1	Retainer, Push-on	4
11	34-06223-00	Screw, Captive Washer #10-24 x 0.56 - SST	4
12	58-01184-00	Retainer, Screw .75 O.D.	4

2.10 CONDENSER FAN MOTOR AND CONDENSER COIL SECTION

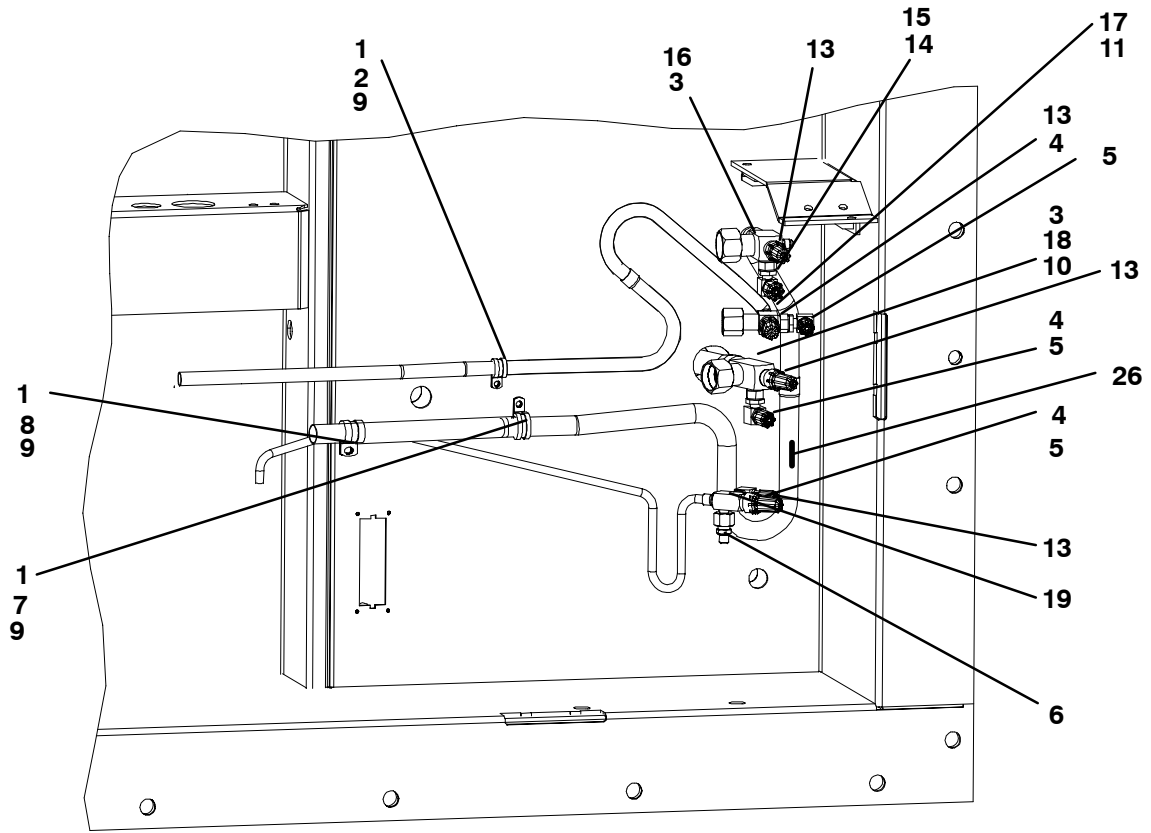


Item	Part Number	Description	Qty
1	66U1-5361-25	Capscrew, Hex Head, 1/4-20 x 3/4 lg. - SST	10
2	66U1-5321-7	Washer, Flat, 1/4 - SST	10
3	34-06053-00	Washer, Mylar, 3/4 OD x 1/4 ID	10
4	34-06053-03	Washer, Mylar, 1.0 OD x 1/4 ID	2
5	22-04018-00SV	Pigtail Connector	1
6	68-14085-00	Bracket, Condenser Motor Mount	1
7	54-00586-20	Motor, Condenser Fan - Includes:	1
8	PL	Key, 3/16 Square x 1-3/8 lg. - SST	1
9	04-50027-00	Bearing	2
10	22-50088-02	Capacitor, 15 uF	1
11	66U1-5361	Screw, Hex Head, 5/16-18 x 1-1/4 lg. - SST	4
12	34-01181-01	Washer, Flat, 5/16 - SST	8
13	34-06053-02	Washer, Mylar, 1.0 OD x 3/8 ID	4
14	34-00667-12	Locknut, 5/16-18 - SST	4
15	69NT35-6112	Protector, Condenser Fan Motor Mounting	2
16	38-00503-00	Fan, Condenser (17-1/2 diameter) - Composite - Includes:	1
17	PL	Set Screw, Square Head, 5/16-24 x 5/8 lg. - SST	2

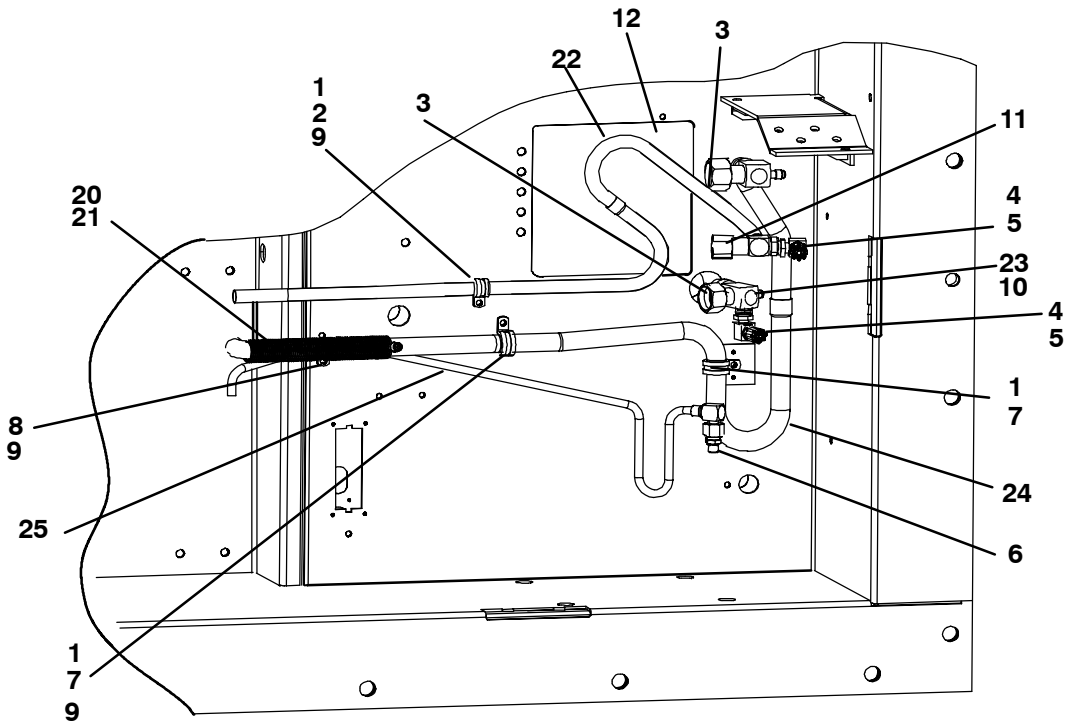
2.10 CONDENSER FAN MOTOR AND CONDENSER COIL SECTION (Continued)

Item	Part Number	Description	Qty
OPTION 4 -FOUR ROW (7MM) CONDENSER COIL			
18	68-14546-02SV	Cover, Condenser Coil, Blue Includes:	1
	68-14546-03SV	Cover, Condenser Coil, White Includes:	1
19	58-04481-00	Plug (for use with coated handle or units with no center handle)	2
20	81-01855-00SV	Coil, Condenser(Copper) - 7MM 4 Row - Includes Mylar Washers	1
21	66CH1-1172-16	Trim, Flexible	2
22	69NT35-8693-8	Protector (Apply between frame and coil & coil cover)	4
23	69NT35-8693-9	Protector (Apply between frame and coil & coil cover)	2
24	58-04026-41	Protector, Mylar (Apply between coil & coil cover, RH & LH sides)	2
OPTION 5 - FIVE ROW (3/8") CONDENSER COIL			
25	68-12757-00	Cover, Condenser Coil, Blue Includes:	1
	68-12757-01	Cover, Condenser Coil, White Includes:	1
19	58-04481-00	Plug (for use with coated handle or units with no center handle)	2
26	81-01490-00SV	Coil, Condenser(Copper) - 5 row - Includes Mylar Washers	1
27	66CH1-1172-16	Trim, Flexible	2
28	69NT35-8693-5	Protector (Apply between frame and coil & coil cover)	4
29	69NT35-8693-6	Protector (Apply between frame and coil & coil cover)	4
30	58-04026-10	Protector, Mylar (Apply between coil & coil cover, RH & LH sides)	2
OPTION H - HINGED CONDENSER FAN GRILLE			
31	76-00704-01	Grille and Venturi Assembly, Blue - Includes:	1
31	76-00704-02	Grille and Venturi Assembly, White - Includes:	1
32	66U1-8912	Label, Rotation	1
33	76-50075-00	Hinge Kit - Includes:	1
34	44-00374-00	Hinge	2
35	58-04101-07	Protector, Mylar	4
36	34-06179-00	Screw, Hex Head, #10-24 x 7/16 lg. - SST	8
37	66U1-6811-8	Screw, Retaining - SST	2
	66U1-6811-12	Screw, Retaining (Phillips Head) - SST	2
38	34-06169-00	Washer, Retaining - SST	2
39	34-06053-03	Washer, Mylar, 1/4ID x 1.00OD	2
40	69NT35-2692-1	Washer, Fender 1/4 - SST	2
OPTION B - BOLTED CONDENSER FAN GRILLE			
31	76-00704-01	Grille and Venturi Assembly, Blue - Includes:	1
31	76-00704-02	Grille and Venturi Assembly, White - Includes:	1
32	66U1-8912	Label, Rotation	1
41	69NT35-2692-1	Washer, Fender 1/4 - SST	4
42	34-06053-03	Washer, Mylar, 1/4ID x 1.00OD	4
43	34-00663-11	Washer, Lock, 1/4 - SST	4
44	66U1-5361-25	Capscrew, Hex Head, 1/4-20 x 3/4 lg. - SST	4

2.11 COMPRESSOR TUBING SECTION



Units with Standard Tubing

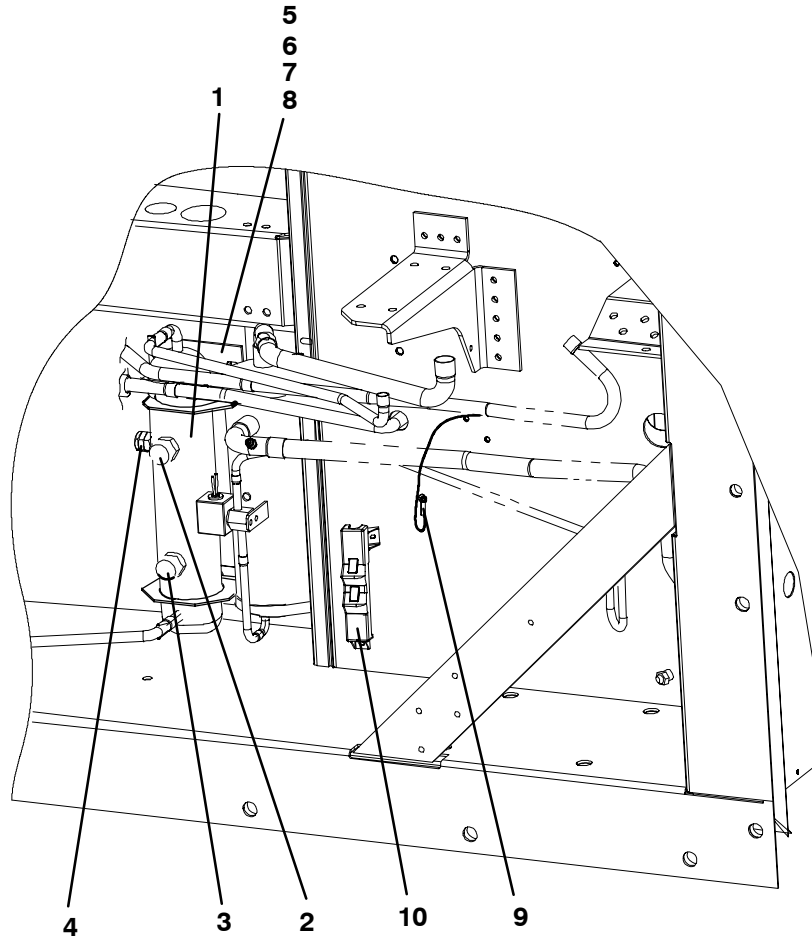


Units with Semi-Hermetic Tubing

2.11 COMPRESSOR TUBING SECTION

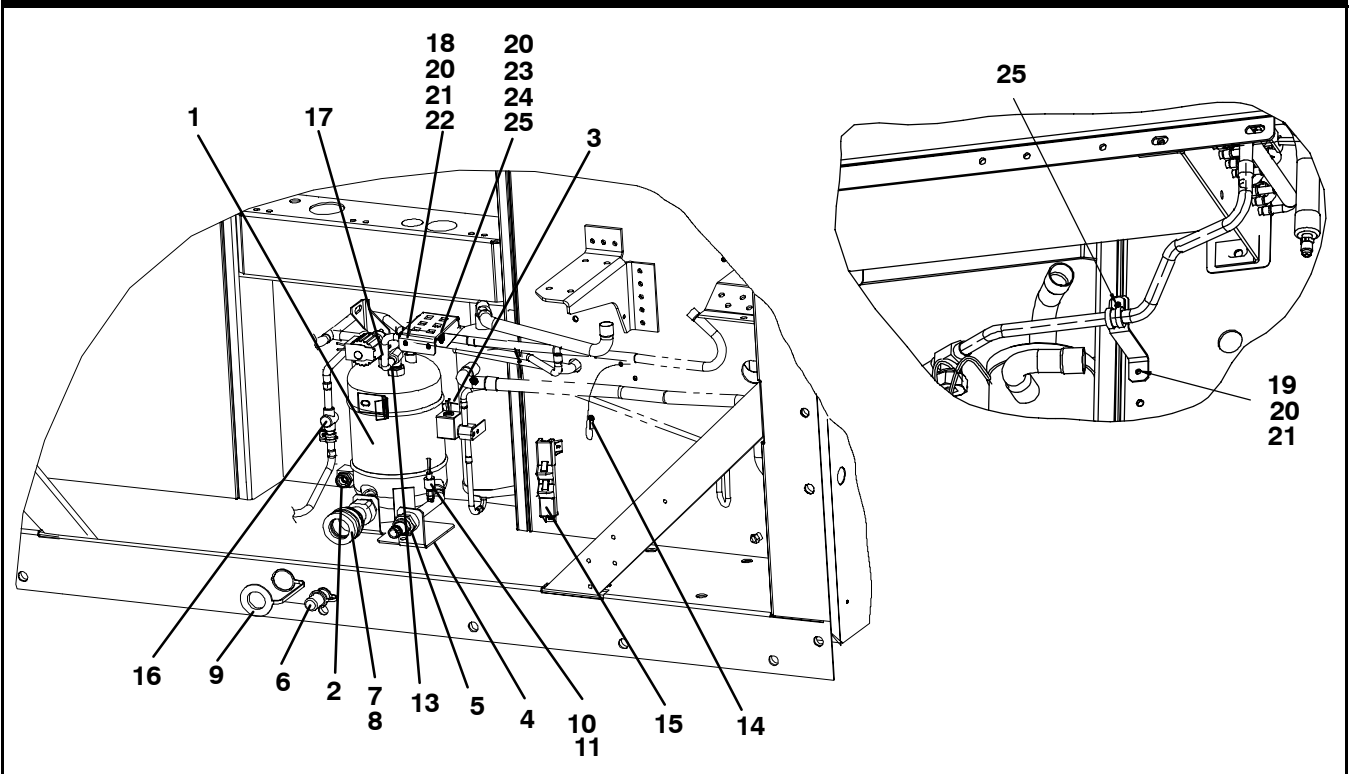
Item	Part Number	Description	Qty
Common Components			
1	34-06053-00	Washer, Mylar, .25 I.D. x .80 O.D.	4
2	34-00373-07	Clamp, Cushion, .62 Dia.	1
3	42-00384-02	Seal 1 1/4-12 (See Section 4)	2
4	40-00542-00	Elbow, Adapter, Brass	3
5	40-00520-02	Cap, M8 x 1.0 - Nylon	3
6	40-00586-00	Coupling, Oil Return	1
7	66U1-3632-20	Clamp, Cushion, .88 Dia.	2
8	34-00373-53	Clamp, Cushion, .38 Dia.	1
9	66U1-5371-6	Screw, Hex Head, #10-24 x .75 lg. - SST	4
10	14-00176-04	Strainer	1
11	42-00384-01	Seal 1-14 (See Section 4)	1
12	58-04026-26	Tubing Protector	1
Standard Tubing Components			
13	40-50025-00	Cap, Service Valve	4
14	40-00542-01	Elbow, Adapter, High Pressure, R134a - Brass	1
15	40-00520-03	Cap, M10 x 1.0 - Nylon	1
16	40-00583-00	Valve, Service 7/8 I.D.	1
17	40-00583-01	Valve, Service 5/8 I.D.	1
18	40-00583-03	Valve, Service 1 1/8 I.D.	1
19	40-00585-00	Valve, Service 3/8 I.D.	1
Semi-Hermetic Tubing Components			
20	66U1-3882-3	Wire Tie	2
21	58-00850-21	Tube, Slit	1
22	40-00605-03	Economizer Tubing Assembly with Fitting	1
23	81-01807-01	Suction Tubing Assembly with Fitting	1
24	58-04026-26	Discharge Tubing Assembly with Service Fitting	1
25	81-01808-01	Oil Return Tubing Assembly with Fitting	1
REFRIGERATION TEMPERATURE SENSORS			
26	12-00493-05	Sensor, Thermistor (CPDS)	1
-	-	Sensor, Thermistor (CPSS) See Section 2.20	1

2.12 RECEIVER SECTION



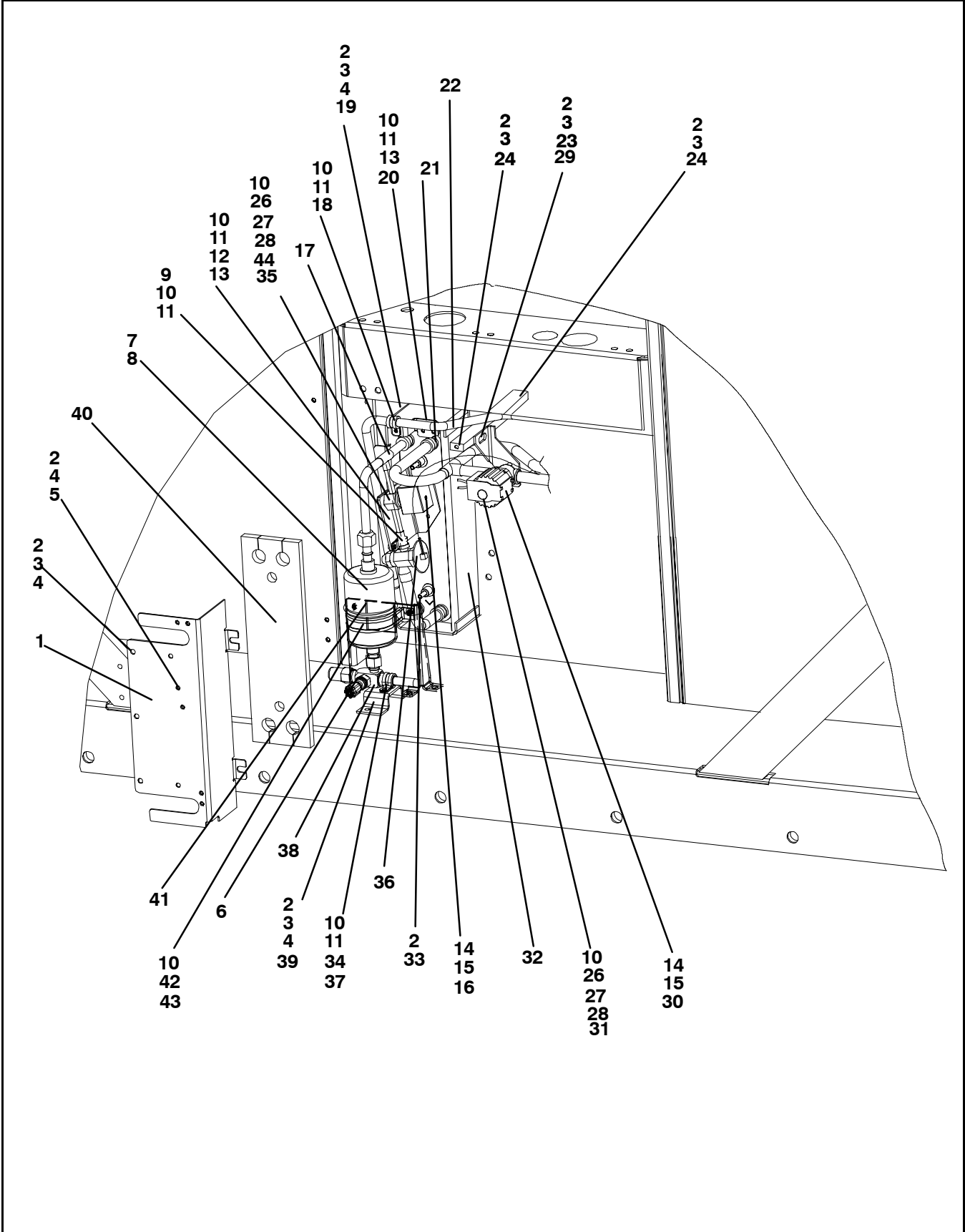
Item	Part Number	Description	Qty
STANDARD RECEIVER - USE OPTION L AND SUBSTITUTE ITEM BELOW FOR 79-01785-01			
NS	79-01785-00	Receiver Assembly	1
OPTION L			
1	79-01785-01	Large Receiver Assembly - Includes:	1
2	14-00220-01	Glass, Sight	1
3	14-00221-01	Indicator, Moisture-Liquid	1
4	14-01032-14	Plug, Fusible, 3/8 npt - Brass	1
5	58-04026-61	Protector, Mylar	2
6	66U1-5361-25	Screw, Hex Head, 1/4-20 x 3/4 lg. - SST	4
7	66U1-5321-7	Washer, Flat, 1/4 - SST	4
8	34-06035-00	Washer, Mylar	4
9	12-00495-20	Sensor, Ambient Thermistor (AMBS)	1
10	-	See Section 2.15 for Sensor Assembly and Related Parts	-

2.13 WATER-COOLED CONDENSER SECTION



Item	Part Number	Description	Qty
-	76-00734-00	Kit, Condenser/Receiver (For Field Installation) - Includes:	1
1	69NT42-954-4	Condenser/Receiver - Includes:	1
2	14-00220-01	Sight Glass, w/red balls, 1/2 npt	1
3	58-00956-00	Protector, Mylar	2
4	58-04436-00	Protector, Mylar	1
5	66U1-2763-5	Coupling (Water-In)	1
6	66U2-1142	Cap, Dust	1
7	40-01129-00	Coupling, Self Draining - Includes:	1
8	42-50000-00	Seal, O-Ring	1
9	66U2-1152	Cap, Dust	1
10	12-01071-01SV	Switch, Water Pressure OPTION W	1
11	66U2-1132-1	Connector	2
12	66U1-3803	Heat Shrink	2
13	14-00215-05	Disc, Rupture, 3/8 npt	1
14	12-00495-20	Sensor, Ambient Thermistor (AMBS)	1
15	-	See Section 2.15 for Sensor Assembly and Related Parts	-
16	14-01092-03	Indicator, Liquid Moisture - Brass	1
17	40-01129-00	Tee, 1/2 X 1/2 X 3/8 NPT - Brass	1
18	68-13852-00	Bracket (Style 1)	1
19	68-14102-00	Bracket (Style 2)	
20	66U1-5371-6	Screw, Hex Head, #10-24 x 3/4 lg. - SST	3
21	69NT35-2692	Washer, Fender	1
22	34-00667-09	Nut, Self-Lock, #10-24 - SST	1
23	34-06053-05	Washer, Mylar, .205 I.D. x .60 O.D.	3
24	66U1-5321-8	Washer, Plain, #10 - SST	3
25	34-00373-05	Clamp, Cushion, 1/2 Diameter	1

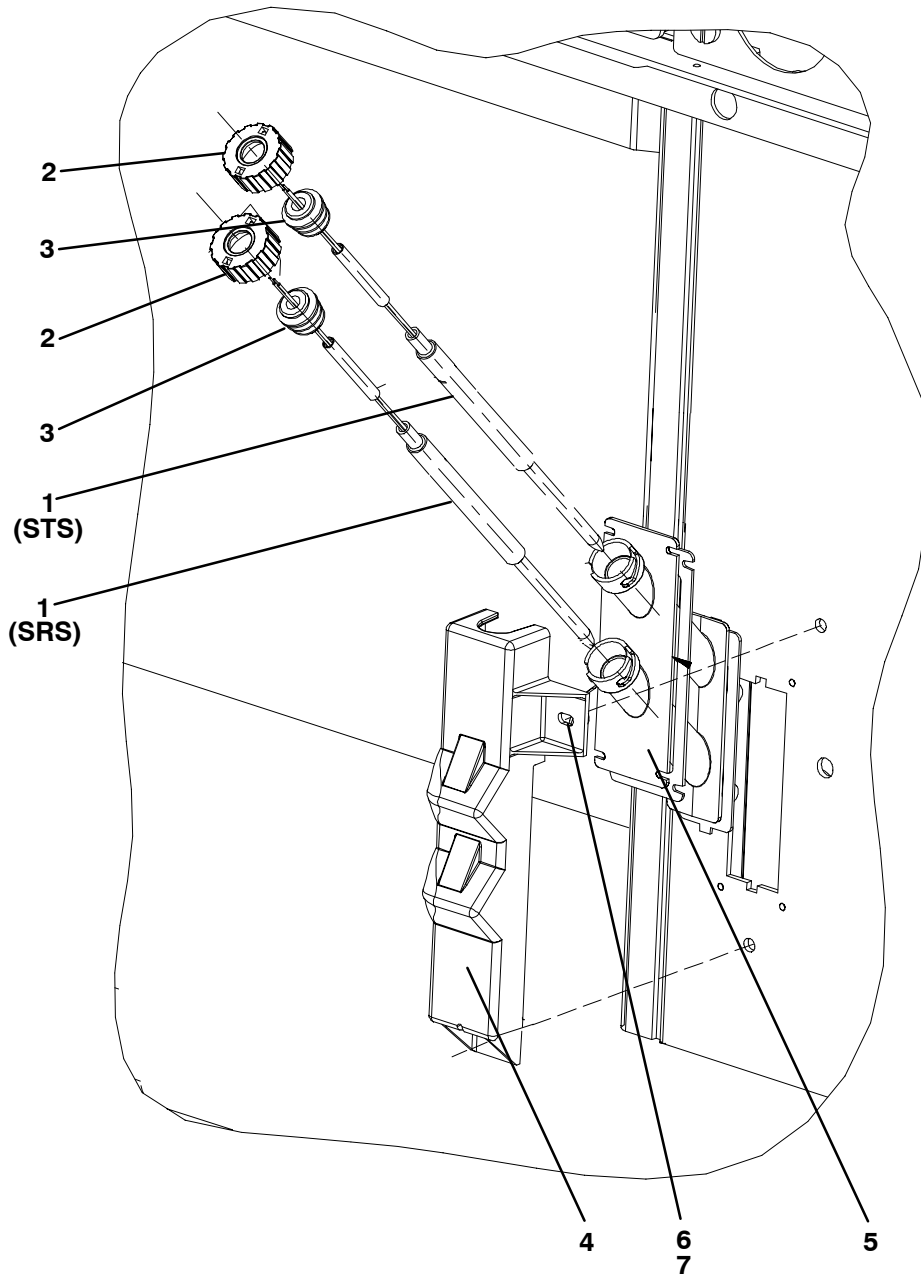
2.14 ECONOMIZER, ECONOMIZER EXPANSION VALVE, ECONOMIZER SOLENOID VALVE AND FILTER DRIER SECTION



2.14 ECONOMIZER, ECONOMIZER EXPANSION VALVE, ECONOMIZER SOLENOID VALVE AND FILTER DRIER SECTION

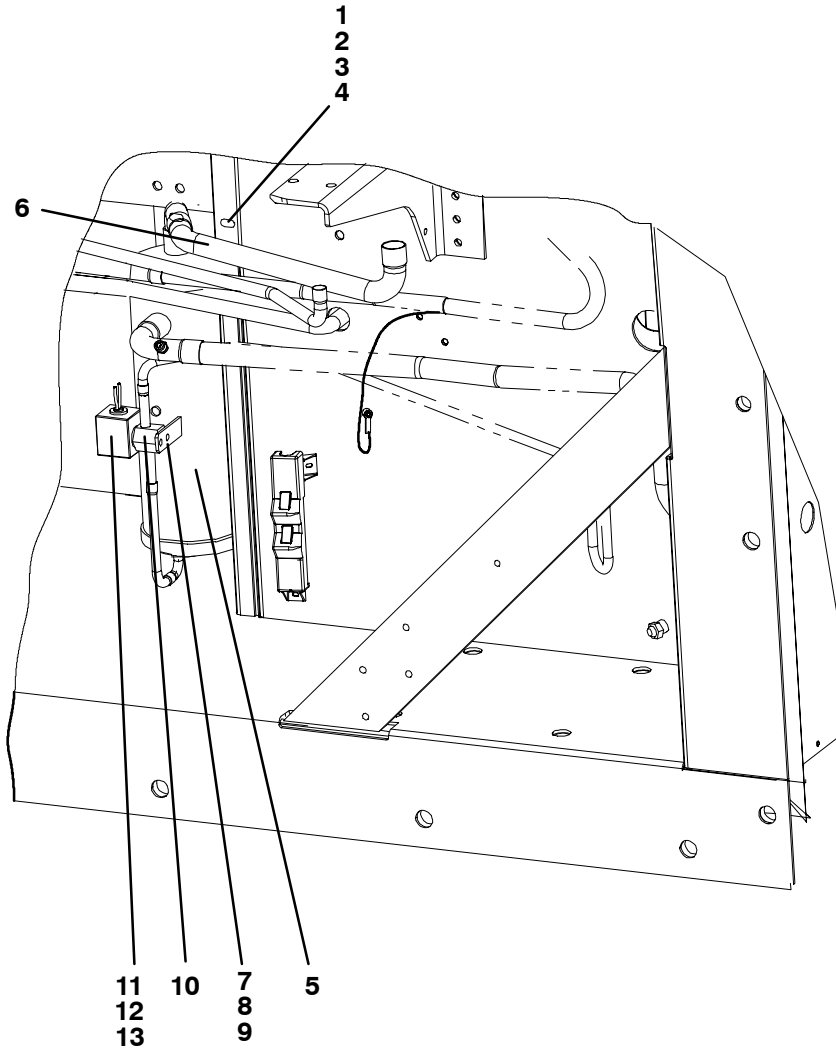
Item	Part Number	Description	Qty
1	68-12864-00	Cover	1
2	34-06053-00	Washer, Mylar, 0.250 ID x 0.800 OD	18
3	66U1-5361-25	Screw, Hex Head, 1/4-20 x .75 lg. - SST	13
4	66U1-5321-7	Washer, Flat, 1/4 - SST	13
5	34-00667-11	Nut, Self-Lock	2
6	40-00520-01	Coupling with Cap	1
7	14-00311-02SV	Filter-Drier - Includes:	1
8	14-00284-20SV	O-Ring	2
9	34-00373-54	Clamp, Cushion, .44 Diameter	1
10	34-06053-05	Washer, Mylar, .205 I.D. x .60 O.D.	9
11	66U1-5371-7	Screw, Machine, Hex Head, #10-24 x .50 lg. - SST	1
12	68-13479-00	Bracket	1
13	66U1-5321-8	Washer, Plain #10 - SST	4
14	66U2-1132-2	Connector	4
15	66U1-3803	Heat Shrink	6
16	14-01091-01	Coil, Solenoid Valve (Oil Return and Economizer)	1
17	DE40BA203	Tee, Reducing 1/2 x 1/2 x 3/8	1
18	34-00373-05	Clamp, Cushion, .50 Diameter	1
19	68-12863-00	Bracket	1
20	68-13167-00	Bracket	1
21	42-00389-00	Insulation, Economizer	1
22	40-00168-05	Tee	1
23	68-13784-00	Bracket	1
24	66U1-5321-3	Washer, Plain, 1/4 N Type A - SST	2
25	68-13785-00	Bracket	1
26	66U1-5371	Screw, Machine, Hex Head, #8-32 x .50 lg. - SST	4
27	66U1-5321-2	Washer, Plain #8 - SST	4
28	66U1-5331-4	Washer, Lock, #8 Spring - SST	4
29	69NT35-2692-1	Washer, Fender	1
30	14-01091-02	Coil, Solenoid Valve	1
31	14-01090-11	Solenoid Valve Body	1
32	81-01539-20	Economizer	1
33	58-00836-19	Bushing	2
34	69NT35-2692-4	Washer, Fender #10 - SST	1
35	14-01090-10	Solenoid Valve Body	1
36	14-00232-08	Expansion Valve	1
37	34-00373-07	Clamp, Cushion, .62 Diameter	1
38	14-00222-01	Valve, King	1
39	68-14103-00	Bracket, Blue	1
39	68-14103-20	Bracket, White	1
40	42-00390-00	Insulation, Economizer	1
41	42-00174-44	Gasket, 2.0 x 2.0	1
42	69NP20-1031	Clamp, Tube, 2.88 diameter	1
43	66U1-5371-6	Screw, Machine, Hex Head, #10-24 x .75 lg.- SST	6
44	68-10694-00	Plate	1

2.15 SRS AND STS SECTION



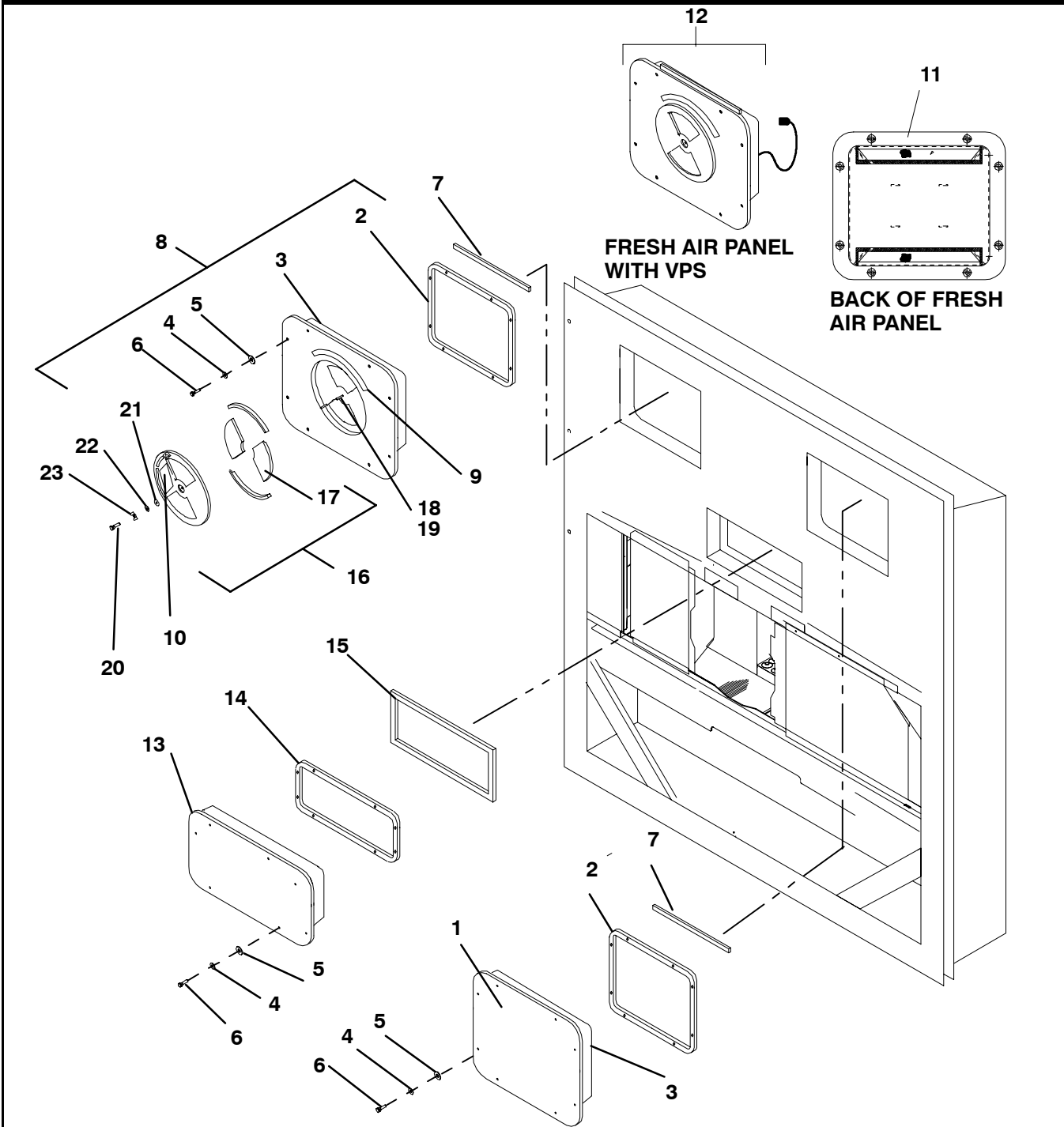
Item	Part Number	Description	Qty
1	12-00395-01SV	Sensor Assembly (STS & SRS)	1
2	58-04277-00SV	Cap, Probe - Includes:	2
3	58-04278-00	Grommet NSS	2
4	58-04279-00	Cover, Probe	1
5	58-04276-00	Holder, Probe	1
6	66U1-5321-7	Washer, Flat, 1/4 - SST	2
7	66U1-5371-7	Screw, Machine, Hex Head, #10-24 x .50 lg. - SST	2

2.16 OIL SEPARATOR SECTION



Item	Part Number	Description	Qty
1	34-06053-00	Washer, Mylar, 0.250 ID x 0.800 OD	4
2	66U1-5361-25	Screw, Hex Head, 1/4-20 x .75 lg. - SST	4
3	66U1-5321-7	Washer, Flat, 1/4 - SST	4
4	58-04026-34	Protector, Mylar	2
5	65-00180-20SV	Oil Separator Includes:	1
6	56-07525-00	Tubing	1
7	66U1-5371	Screw, Machine, Hex Head, #8-32 x .50 lg. - SST	2
8	66U1-5321-2	Washer, Plain #8 - SST	2
9	66U1-5331-4	Washer, Lock, #8 Spring - SST	2
10	14-00285-00	Solenoid Valve	1
11	66U2-1132-2	Connector	2
12	66U1-3803	Heat Shrink	2
13	14-01091-01	Coil, Solenoid Valve	1

2.17 UPPER FRESH AIR MAKE-UP AND ACCESS PANEL SECTION

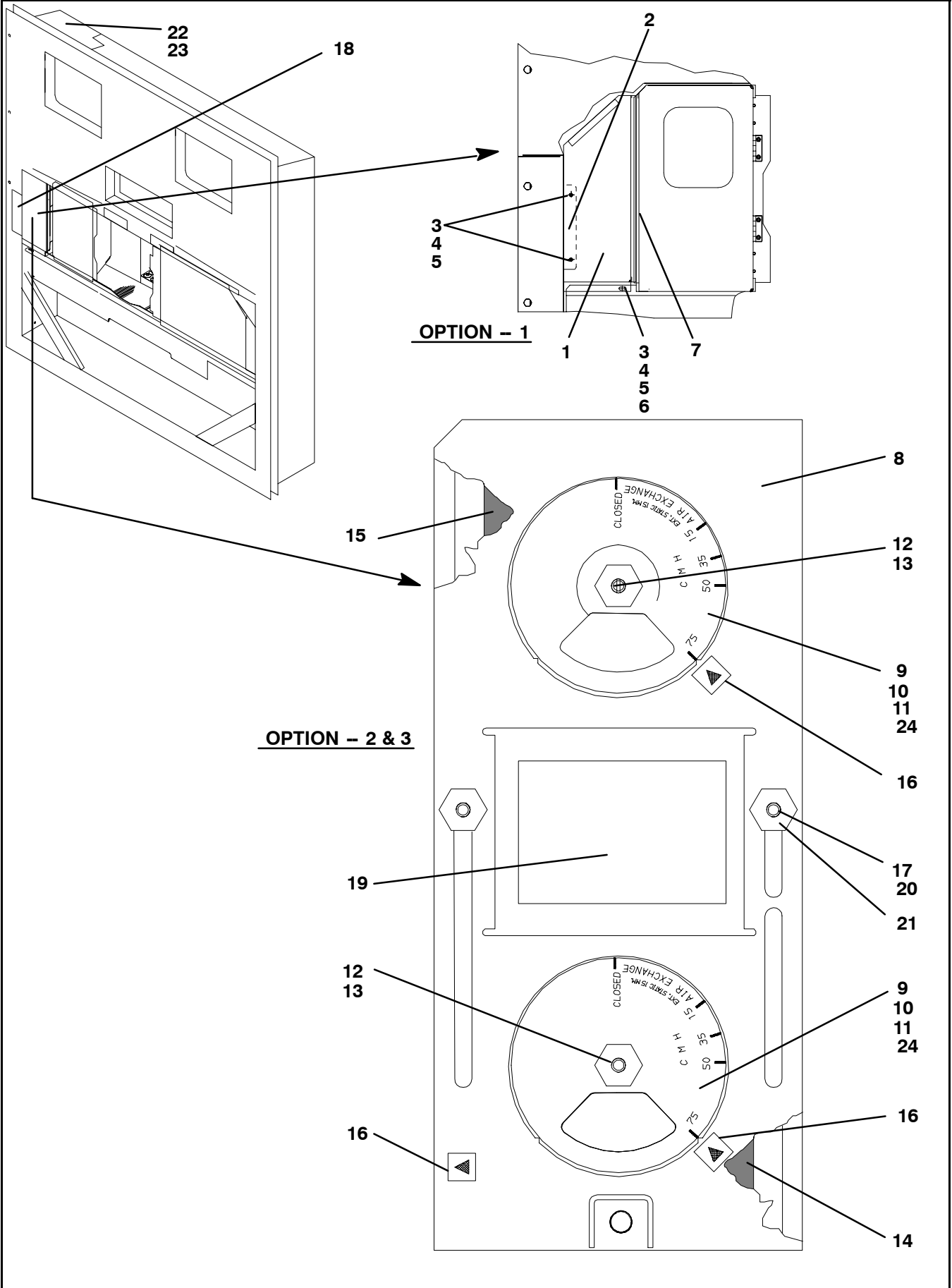


2.17 UPPER FRESH AIR MAKE-UP AND ACCESS PANEL SECTION

Item	Part Number	Description	Qty
OPTION 1 EVAPORATOR FAN ACCESS PANEL - PLAIN			
1	79-01697-06SV	Panel, Access (See NOTE 1) - Includes:	A/R
2	42-00296-01	Gasket	1
3	42-00327-00	Gasket, - 0.26 x 0.50 Halfmoon	1
4	34-006212-12	Washer, Flat, 1/4 - SST	8
5	34-06053-13	Washer, Mylar, 1/4 ID X 0.80 OD	8
6	34-06154-00	Screw, Hex Head, 1/4-20 x 1.00 lg. - TIR	8
7	66U1-2552-185	Gasket, 0.75 x 1.5 x 16.63	1

OPTION 2 EVAPORATOR FAN ACCESS PANEL - WITH FRESH AIR MAKEUP			
8	79-01694-00	Panel, Fresh Air Make-up w/Retaining Washers - Includes:	A/R
2	42-00296-01	Gasket	1
3	42-00327-00	Gasket, - 0.26 x 0.50 Halfmoon	1
7	66U1-2552-185	Gasket, 0.75 x 1.5 x 16.63	1
9	-	Label, Fresh Air (See Section 2.32 for Language Selection)	1
10	62-02783-00	Label, Fresh Air	1
21	34-06053-19	Washer, Mylar, 1.00 OD x 0.312 ID	1
22	66U1-5321-13	Washer, Flat, 5/16 - SST	1
23	66U1-5362-2	Nut, Wing, 5/16-18 - SST	1
OPTION 3 WITH FRESH AIR MAKEUP AND SCREENS - USE ALL OF OPTION 2 AND ITEM BELOW			
11	58-04251-00	Screen, Medfly	2
OPTION 4 EVAPORATOR FAN ACCESS PANEL - WITH FRESH AIR MAKEUP AND VENT POSITIONING SENSOR (VPS)			
12	79-01902-00	Panel, Fresh Air Make-up w/VPS - Includes:	A/R
2	42-00296-01	Gasket	1
3	42-00327-00	Gasket, - 0.26 x 0.50 Halfmoon	1
7	66U1-2552-185	Gasket, 0.75 x 1.5 x 16.63	1
9	-	Label, Fresh Air (See Section 2.32 for Language Selection)	1
10	62-02783-00	Label, Fresh Air	1
21	34-06053-19	Washer, Mylar, 1.00 OD x 0.312 ID	1
22	66U1-5321-13	Washer, Flat, 5/16 - SST	1
23	66U1-5362-2	Nut, Wing, 5/16-18 - SST	1
HEATER ACCESS PANEL			
13	79-01697-07SV	Panel, Access - Includes:	1
14	42-01052-02	Gasket	1
15	34-06212-12	Gasket, Access Panel	1
4	34-06053-13	Washer, Flat, 1/4 - SST	8
5	34-06053-00	Washer, Mylar, 1/4 ID X 0.80 OD	8
6	34-06154-00	Screw, Hex Head, 1/4-20 x 1.00 lg. - TIR	8
STUD ASSEMBLY KITS (REPLACEMENT)			
16	74-00201-02	Kit, Gasket and Stud Assembly (See NOTE 2) - Includes:	1
17	42-00407-00	Gasket (One Piece)	1
18	74-00201-01	Kit, Disc and Stud Assembly (See NOTE 3) - Includes:	1
19	NSS	Stud Assembly, 5/16-18	1
20	34-06185-01	Screw, Machine Pan Head, #8-32 x 1/2 lg. - SST	1
21	34-06053-19	Washer, Mylar, 1.00 OD x 0.312 ID	1
22	66U1-5321-13	Washer, Flat, 5/16 - SST	1
23	66U1-5362-2	Nut, Wing, 5/16-18 - SST	1
NOTES			
<p>1. Access panels with Transfresh option should be ordered from Transfresh, See Section 2.19 for address.</p> <p>2. Disc and stud assembly kit, which will modify stud to 5/16-18, also includes new disc and gasket.</p> <p>3. Must order 74-00201-01 stud assembly kit, which will modify stud to 5/16-18, and include 42-00407-01 (1 piece) gasket.</p>			

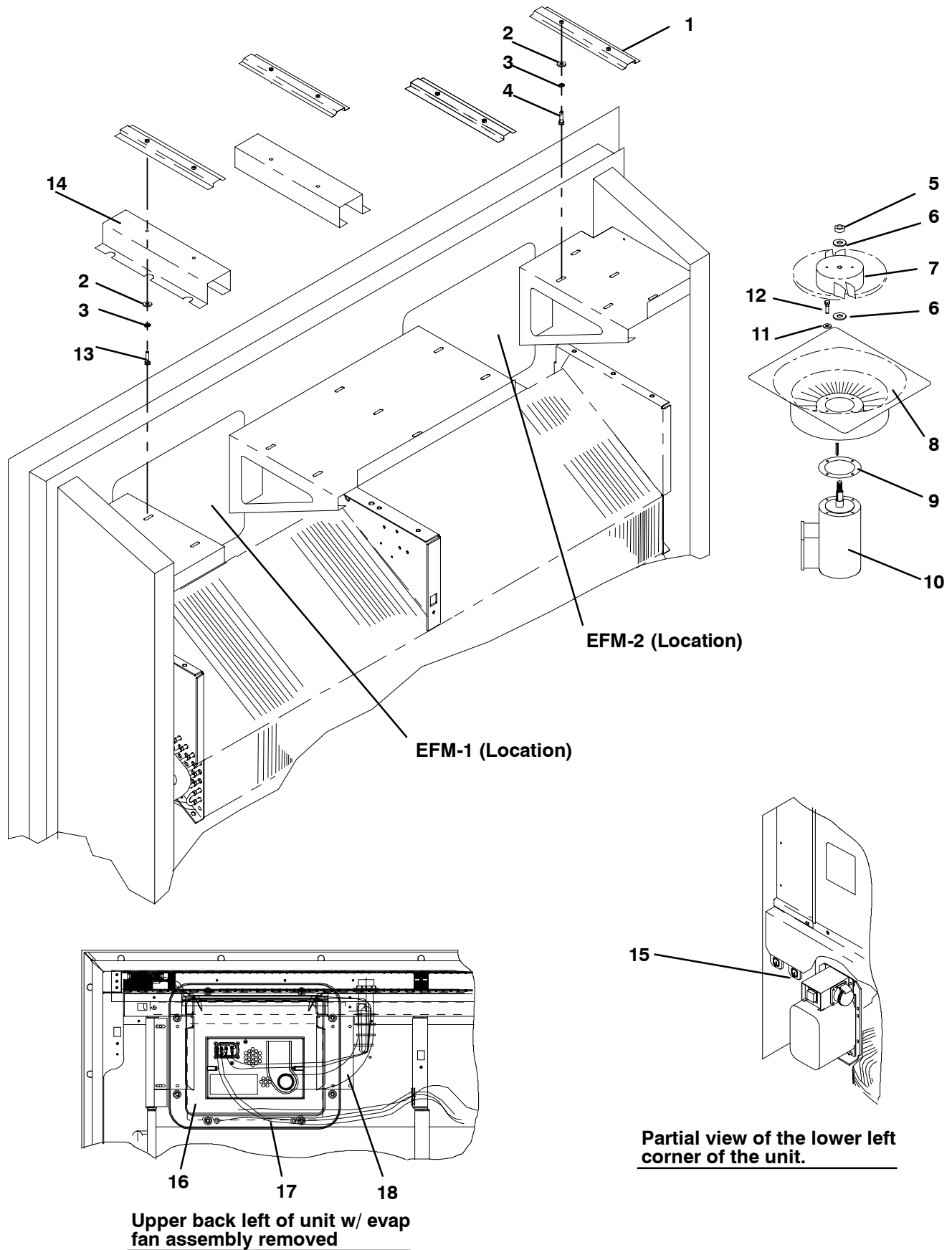
2.18 LOWER FRESH AIR MAKE-UP VENT



2.18 LOWER FRESH AIR MAKE-UP VENT

Item	Part Number	Description	Qty
OPTION 1 - LOWER FRESH AIR (NONE)			
1	69NT35-4047	Panel, Blank (Blue)	1
1	69NT35-4047-20	Panel, Blank (White)	1
2	69NT43-307	Bracket, Panel	1
3	66U1-5361-25	Screw, Hex Head, 1/4-20 x 3/4 lg. - SST	3
4	34-06053-18	Washer, Mylar, 1/4 ID x 1.00 OD	3
5	66U1-5321-3	Washer, Flat, 1/4, Type A- SST	3
6	69NT35-2692-1	Washer, Fender 1/4 - SST	1
7	42-00465-00	Gasket	1
OPTION 2 - INSTALLED			
8	69NT41-852-1	Cover, Fresh Air Makeup - Includes:	1
9	69NT40-976-3	Cover Assembly, Air Bleed - Includes:	2
10	42-00233-01	Gasket, Air Exchange	2
11	69NT35-1417	Label, Air Exchange, CMH - <i>English</i>	2
	69NT35-9238	Label, Air Exchange, CMF - <i>English/Spanish</i>	2
12	34-06092-00	Nut, Hex, 1/4-20 UNC-2B - SST	2
	34-06183-00	Nut, Hex, (with mini handle), 1/4-20 UNC-2B - SST	2
13	34-06053-00	Washer, Mylar, 1/4 ID x 1.00 OD	2
14	42-00295-01	Gasket, Cover	1
15	42-00295-00	Gasket, Cover	1
16	66CH1-1002-33	Label, Arrow	3
17	69NT41-782	Bushing	2
18	69NT35-1287-1	Label, Fresh Air Exchange - <i>English</i>	1
19	69NT35-7012	Label, Fresh Air	1
20	66U1-5321-7	Washer, Flat, 1/4 - SST	2
21	34-06092-00	Nut, Hex, 1/4-20 UNC-2B - SST	A/R
22	69NT35-8348	Baffle, Unpainted	1
23	34-00928-09	Rivet, Blind, .156 Diameter, Grip Range - 3/16-1/4	4
OPTION 3 - INSTALLED WITH SCREENS - USE ALL OF OPTION 2 PLUS ITEM BELOW			
24	58-04263-01	Screen Assembly, Medfly	2

2.19 EVAPORATOR FAN ASSEMBLY AND CONTROLLED ATMOSPHERE - TRANSFRESH SECTION



2.19 EVAPORATOR FAN ASSEMBLY AND CONTROLLED ATMOSPHERE - TRANSFRESH SECTION

Item	Part Number	Description	Qty
1	69NT43-295	Mounting Bracket, Evaporator Fan Assembly	4
2	69NT35-2692-1	Washer, Fender	8
3	34-00663-11	Washer, Lock, 1/4 - SST	8
4	34-06165-09	Screw, Hex Head, 1/4-20 x 1-1/4 lg. - SST	8
5	34-00795-17	Nut, Self Locking, 5/8-18 - SST	2
6	34-00616-06	Washer, Special, 5/8 - SST	4
7	38-00577-00	Fan, Evaporator	2
8	48-00262-00	Stator, Evaporator	2
9	58-04066-00	Protector - Mylar	2
10	54-00585-00	Motor, Evaporator Fan - Includes:	2
NS	04-50027-00	Bearing, Front (Shaft End)	1
NS	22-50088-00	Capacitor (20 μ F) High Speed	1
NS	22-01613-34	Pin #16	1
NS	22-01892-00	Plug Assembly, Motor (Located on Wire Harness) - Includes:	1
NS	22-01614-03	Plug	1
NS	22-01613-15	Contacts	A/R
NS	22-01892-01	Receptacle Assembly, Motor - Includes:	1
NS	22-01614-02	Receptacle	1
NS	22-01614-05	Strain Relief	1
NS	22-01613-14	Contacts	A/R
11	66U1-5321-3	Washer, Flat, 1/4 - SST	8
12	34-06165-09	Screw, Hex Head, 1/4-20 x 1-1/8 lg. - SST	8

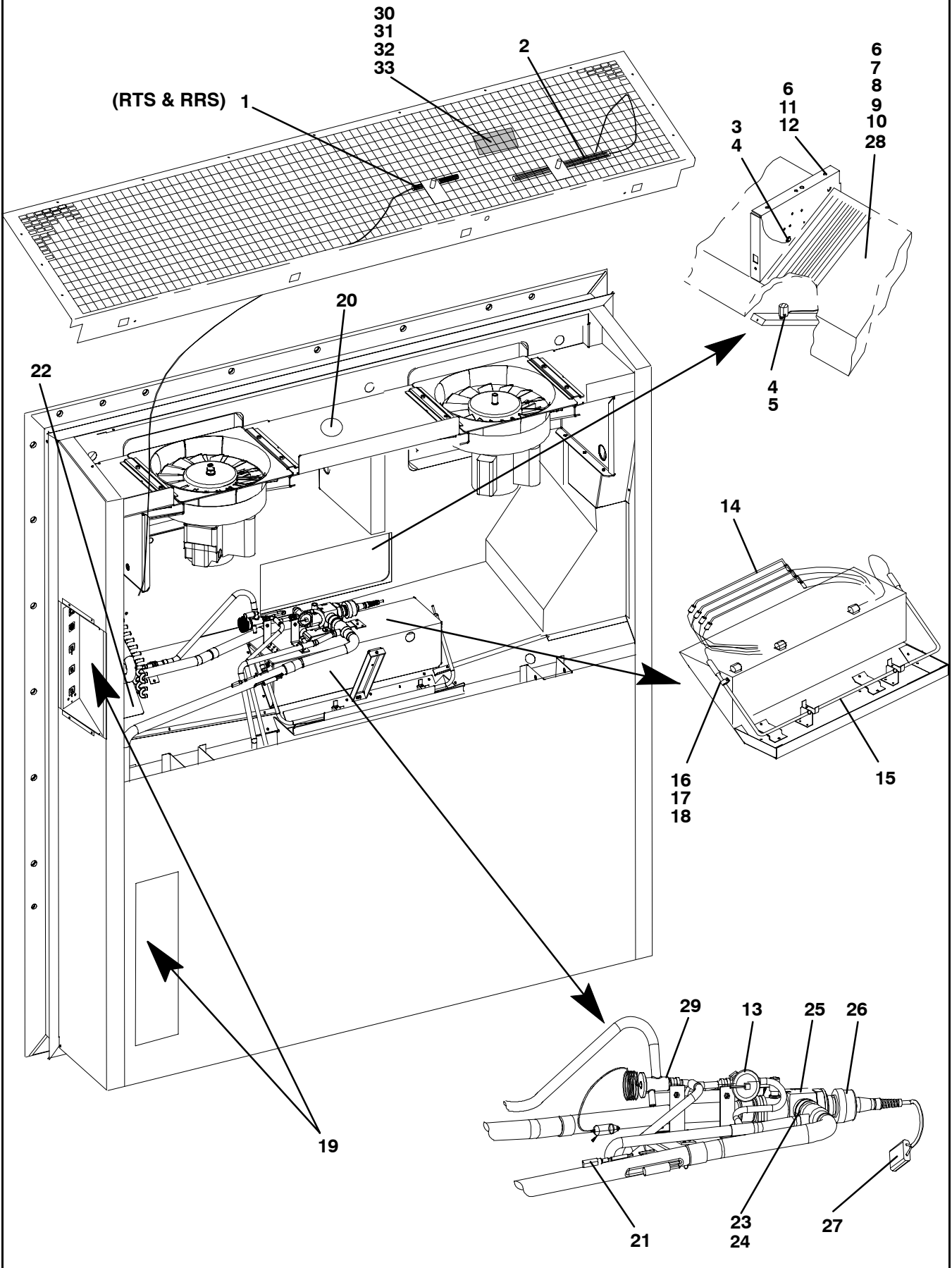
CONTROLLED ATMOSPHERE - TRANSFRESH

-	76-00681-01	Kit, Transfresh Field Installation (For units with NO Transfresh Provision) - Includes:	-
13	34-00655-28	Screw, Hex Head, 1/4-20 x 3-1/2 lg. - SST	4
14	69NT35-6348	Bracket	2
NS	58-04290-00	Pipe Assembly, PVC	1
*15	69NT35-8734-4	Cable Assembly, Transfresh Communications Connector (TCC)	1
*16	69NT35-8734-16	Panel Assembly, Transfresh	1
*17	69NT35-8734-12	Cable, Power - A2C (Transfresh)	1
*18	69NT35-8734-5	Hose Assembly, Air (Transfresh)	1
*NS	69NT35-8734-14	Cable Assembly, Rear (Transfresh)	1
*NS	69NT35-8734-6	Fuse Assembly, In-line (Transfresh)	1

NOTE

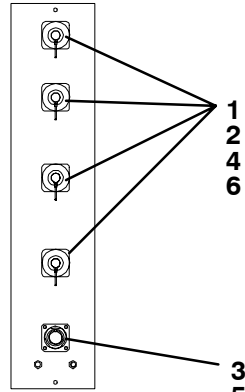
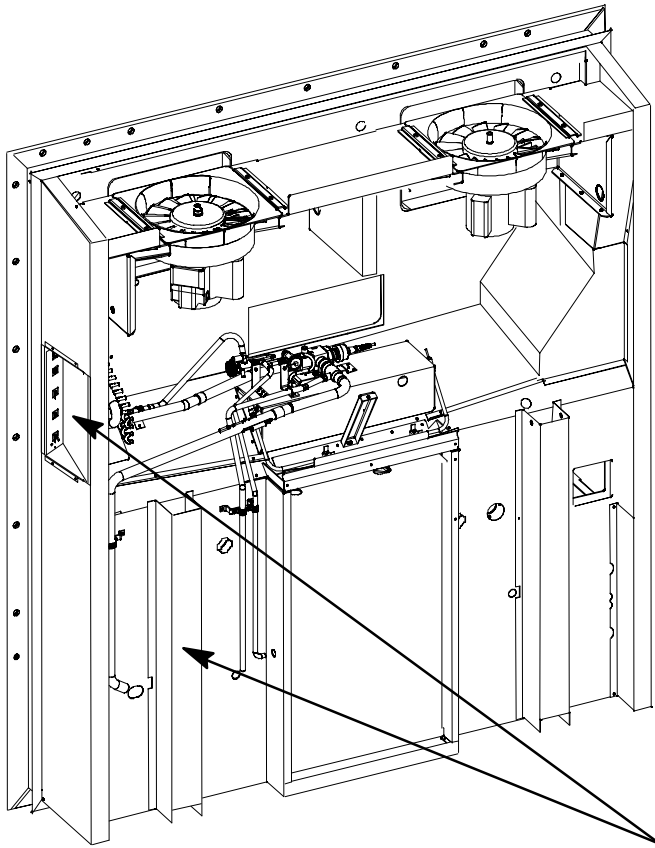
* Contact - TransFresh Corp., P.O. Box 1788, Salinas, CA 93902 to order these parts.

2.20 EVAPORATOR COIL SECTION - REAR PANELS REMOVED

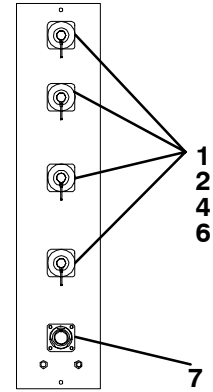


2.20 EVAPORATOR COIL SECTION - REAR PANELS REMOVED			
Item	Part Number	Description	Qty
1	12-00500-01SV	Sensor Assembly (RRS & RTS)	1
2	-	Sensor, Thermistor, (Temperature Recorder)	-
3	12-00495-20	Sensor, Thermistor, Defrost (DTS)	1
4	34-01178-22	Screw, Hex Head, #8-32 x 1/2 lg. - SST	3
5	66U1-6912-16	Thermostat, Heat Termination (HTT)	1
6	AU11JR171	Washer, Lock, 1/4 - SST	10
7	69NT35-6522	Retainer (For Heaters)	3
8	69NT35-6532	Clip (For Heaters)	4
9	69NT35-2692-1	Washer, Flat, 1/4 - SST	2
10	66U1-5371-13	Screw, Hex Head, #10-24 x 1.25 lg. - SST	2
11	66U1-5361-25	Capscrew, Hex Head, 1/4-20 x 3/4 lg. - SST	9
12	66U1-5321-3	Washer, Flat, 1/4 - SST	A/R
13	14-00212-03SV	Valve, Quench Expansion	1
14	24-00006-02	Heater, Evaporator Coil	4
15	24-00003-00	Heater, Drain Pan	1
16	44-01050-16	Clamp, Tube - Nylon	2
17	66U1-5371-6	Screw, Hex Head, #10-24 x .75 lg. - SST	2
18	66U1-5321-8	Washer, Flat, #10 - SST	2
19	-	USDA Option - Refer to Section 2.21	-
20	12-00493-09	Plug, Hole (2 inch diameter) (Located on Fan Deck)	1
21	12-00493-06	Sensor, Thermistor, (CPSS)	1
22	58-04026-26	Protector, Mylar	2
23	KA66FA138	Clamp, Tube 1 3/8 2 Holes	1
24	66U1-5371-7	Screw, Machine, Hex Head, #10-24 x .50 lg. - SST	2
25	14-00263-05	Valve, Stepper Motor - Includes:	1
26	14-00263-20	Piston and Motor Assembly - Includes:	1
27	22-02392-03	Connector (To Expansion Controller Module)	1
NS	22-02393-01	Pin, 18-20 Gauge (Used on 22-02392-03)	4
NS	22-02394-03	Seal (Used on 22-02392-03)	4
OPTION 4 HELICOX HATCHED			
28	81-01574-00	Coil, Evaporator (Does not include thermostats or heaters) Units with PID Numbers NT0826,NT0862 and NT0865 ONLY	1
	81-01841-00	Coil, Evaporator (Does not include thermostats or heaters)	1
29	14-00273-02	Valve, Thermostatic Expansion, Hermetic	1
DEHUMIDIFICATION			
-	76-00675-01	Kit, Humidity Sensor (Field installation, units provisioned for - See Unit Matrix) - Includes:	-
30	10-00413-00	Sensor, Humidity (HS)	1
31	66U1-5371-10	Screw, Hex Head, #10-24 x 1.00 lg. - SST	4
32	66U1-5321-8	Washer, Flat, #10 - SST	2
33	68-13181-00	Bracket Assembly, Humidity Sensor	1

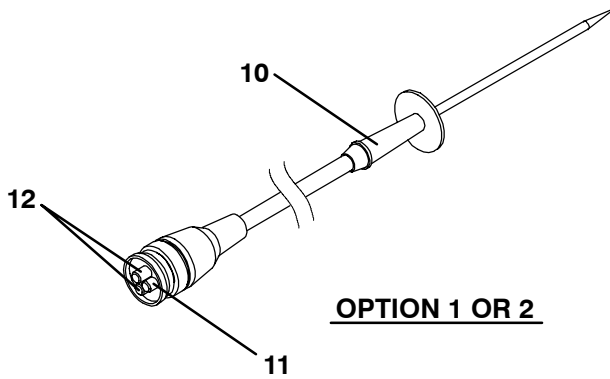
2.21 USDA SECTION



OPTION - D



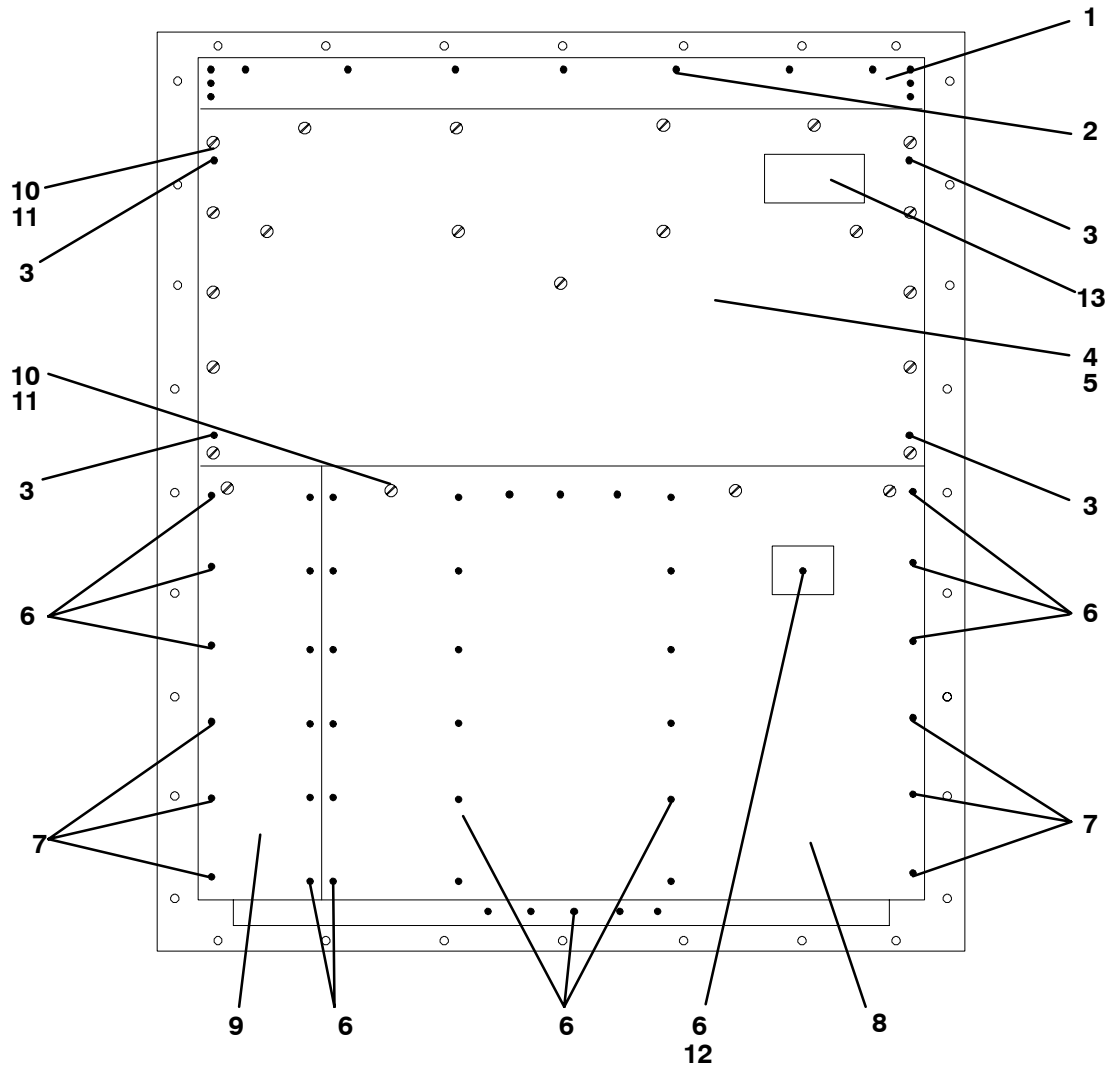
OPTION - V



OPTION 1 OR 2

2.21 USDA OPTION			
Item	Part Number	Description	Qty
OPTION D			
1	22-01660-08	Plug, Sealing	4
2	22-01660-00	Receptacle (PR1, PR2, PR3, Cargo Probe 4) (3 Pin)	4
3	22-01660-03	Receptacle, Interrogator (ICR) (5 Pin)1	1
NS	69NT41-992	Plate Assembly, USDA - Includes:	1
4	69NT43-175	Cap, Dust, with Tether (3 Pin)	4
5	69NT43-176	Cap, Dust, with Chain (5 Pin)	1
6	22-01613-14	Contact, Pin, #16 (Used with 22-01660-00 & 22-01660-03)	13
NS	22-01660-04	Plug, Interrogator Socket (ICR) (5 Pin)	1
OPTION V			
1	22-01660-08	Plug, Sealing	4
2	22-01660-00	Receptacle (PR1, PR2, PR3, Cargo Probe 4) (3 Pin)	4
4	69NT43-175	Cap, Dust, with Tether (3 Pin)	4
6	22-01613-14	Contact, Pin, #16 (Used with 22-01660-00 & 22-01660-03)	13
7	22-02412-00	Receptacle, Interrogator (5 Pin)	1
8	22-02413-00	Cap, Dust, with Tether (5 Pin)	1
9	22-02398-02	Socket, Contact (Silver Plated)	A/R
	22-02398-03	Socket, Contact (Gold Plated)	A/R
FIELD INSTALLED KITS (for units with USDA provision , see T-300)			
-	76-00684-00	Kit, USDA (For field installation, units provisioned for rear-mounted USDA - See T-300) - Includes all of OPTION D and the following:	-
NS	69NT40-507-1	Door Assembly (Included and Used with REAR-mount USDA only)	1
-	76-00676-00	Kit, USDA (For field installation, units provisioned for side-mounted USDA - See T-300) - Includes all of OPTION D:	-
USDA PROBE KITS			
OPTION 1			
10	12-00342-03	Sensor Assembly, 600" lg. (15M) (USDA Probe) - Includes:	A/R
11	22-50127-00	Plug, Socket (PR1, PR2, PR3, Cargo Probe 4)	1
12	22-01613-15	Contact, Socket, #16 (Used with 22-50127-00 & 22-01660-04)	A/R
OPTION 2			
10	12-00342-02	Sensor Assembly, 540" lg. (13.5M) (USDA Probe) - Includes:	A/R
	12-00342-04	Sensor Assembly, 600" lg. (15M) (USDA Probe) - Includes:	A/R
11	22-50127-00	Plug, Socket (PR1, PR2, PR3, Cargo Probe 4)	1
12	22-01613-15	Contact, Socket, #16 (Used with 22-50127-00 & 22-01660-04)	A/R
NOTE			
Do not mix silver pins with gold pins and sockets.			

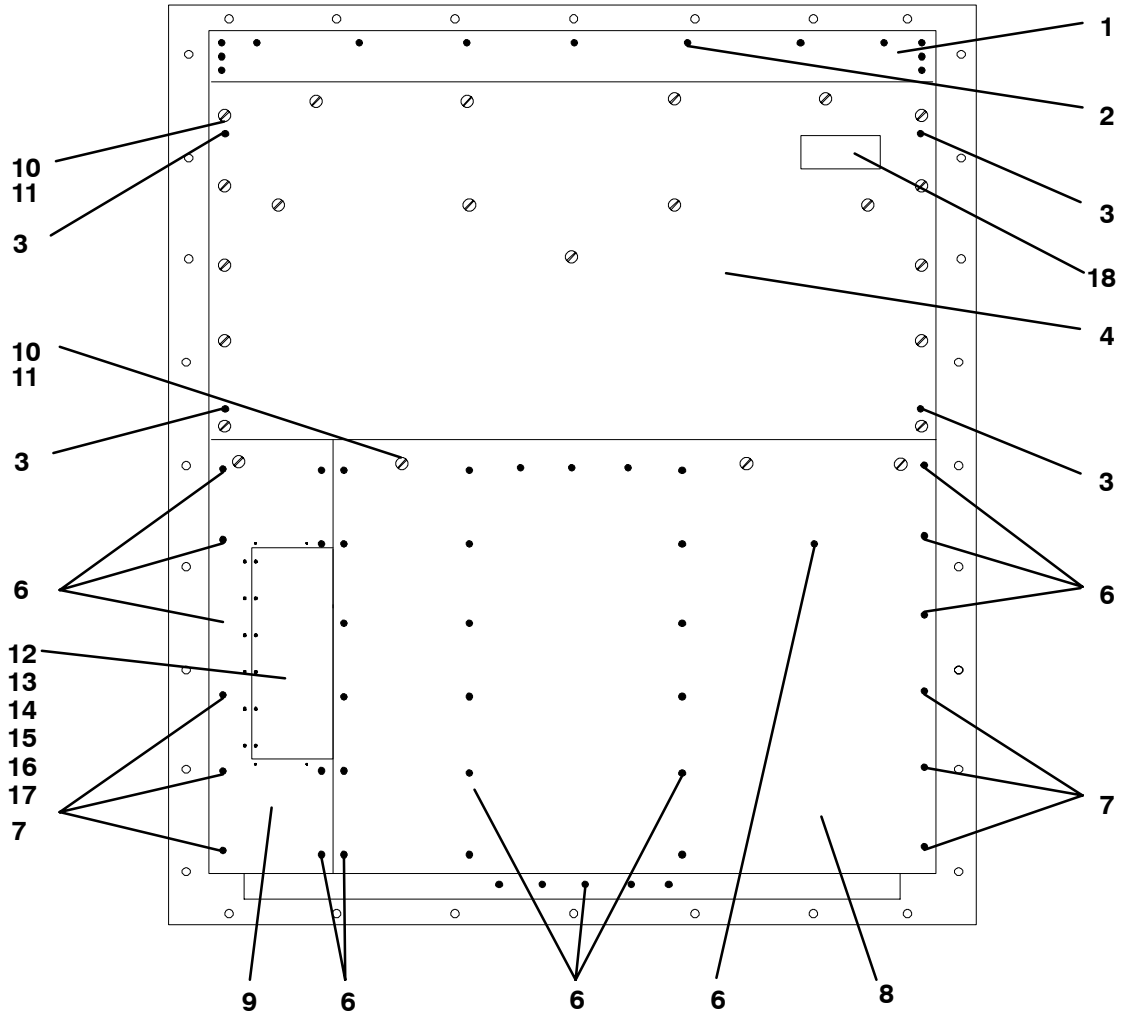
2.22 BACK PANEL ASSEMBLY - OPTION 1 - ALUMINUM BOLTED



2.22 BACK PANEL ASSEMBLY - OPTION 1 - ALUMINUM BOLTED

Item	Part Number	Description	Qty
1	69NT43-464	Grille, Top (Unpainted)	1
2	34-00928-09	Rivet, Blind, 5/32 Diameter, Grip Range - 1/8-1/4	21
3	66U1-7982-2	Rivet, TIR, 3/16 Diameter, Grip Range - 5/64-11/64	4
4	69NT41-942-3	Panel Assembly, Upper PID Number 0699 and below - Includes:	1
NS	NSS	Drain Pan, Side (Location - Behind upper panel)	2
NS	NSS	Drain Pan, Center (Location - Behind upper panel - Top)	1
5	42-00334-00	Gasket (Location - Behind upper panel)	1
4	76-00746-00	Panel Assembly, Upper PID Number 0700 and above - Includes:	1
NS	NSS	Drain Pan (Location - Behind upper panel)	2
5	42-00334-00	Gasket (Location - Behind upper panel)	1
NS	66U1-8075	Gasket (25 ft., Cut to length)	A/R
6	34-00928-02	Rivet, Blind, 1/8 Diameter, Grip Range - 1/8-3/16	46
7	34-00928-03	Rivet, Blind, 1/8 Diameter, Grip Range - 3/16-1/4	3
8	68-13475-00	Panel, Bottom, (Painted)	1
8	68-13475-08	Panel, Bottom, (Unpainted)	1
9	68-13475-01	Panel, Bottom (Provision for heat exchanger location), (Painted)	1
9	68-13475-09	Panel, Bottom (Provision for heat exchanger location), (Unpainted)	1
10	66U1-2403	Screw, Machine, Truss Head, #10-24 x 1/2 lg. - SST	20
11	69NT35-2692	Washer, Fender, #10 x 1.00 OD - SST	20
12	69NT35-2257	Duct, Air	1
13	62-02822-01	Label, Carrier Transicold	1

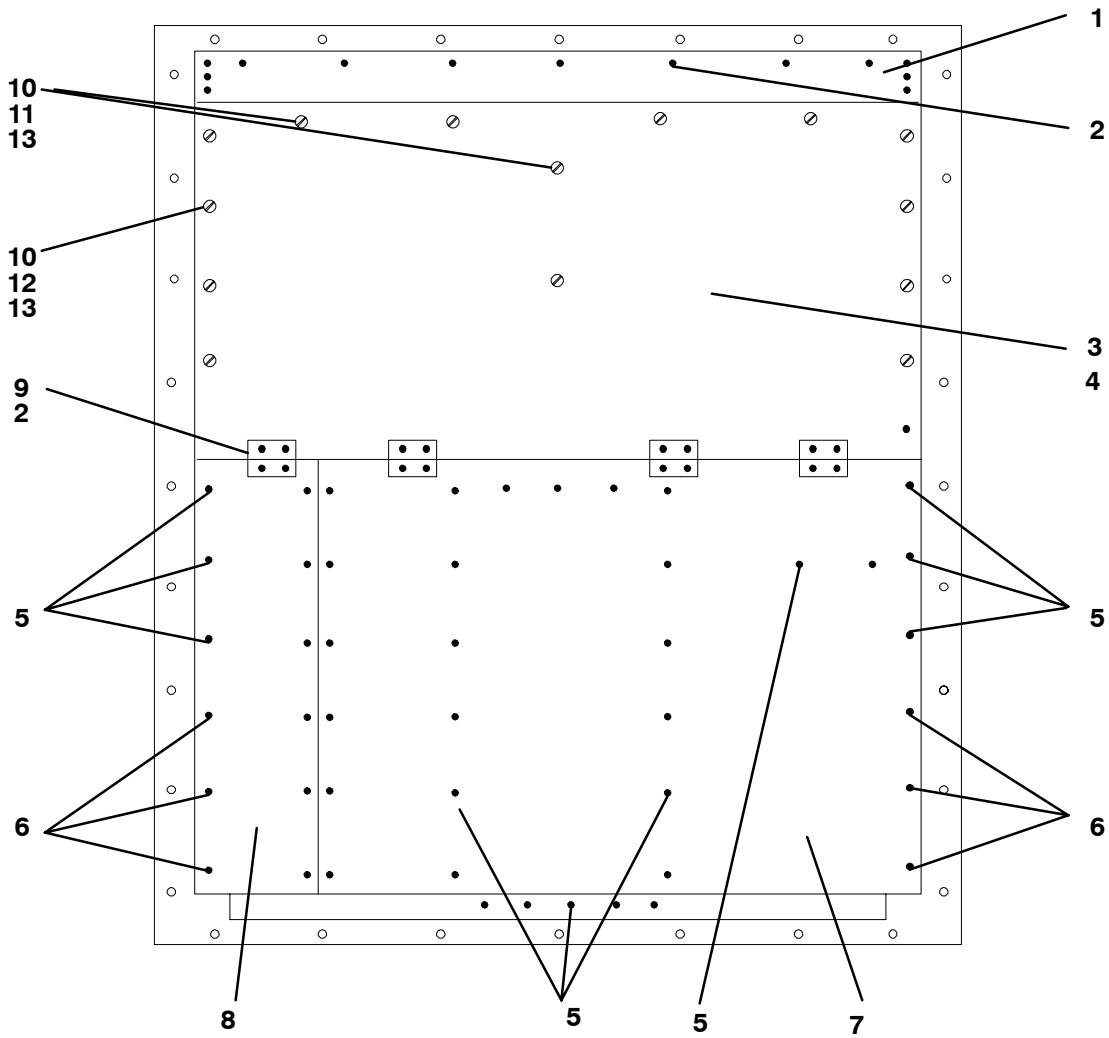
2.23 BACK PANEL ASSEMBLY - OPTION 2 - ALUMINUM BOLTED WITH USDA DOOR



2.23 BACK PANEL ASSEMBLY - OPTION 2 - ALUMINUM BOLTED WITH USDA DOOR

Item	Part Number	Description	Qty
1	69NT43-464	Grille, Top	1
2	34-00928-09	Rivet, Blind, 5/32 Diameter, Grip Range - 1/8-1/4	17
3	66U1-7982-2	Rivet, TIR, 3/16 Diameter, Grip Range - 5/64-11/64	4
4	69NT41-942-3	Panel Assembly, Upper PID Numbers 0699 and below- Includes:	1
NS	NSS	Drain Pan, Side (Location - Behind upper panel)	2
NS	NSS	Drain Pan, Center (Location - Behind upper panel)	1
5	42-00334-00	Gasket (Location - Behind upper panel)	1
4	76-00746-00	Panel Assembly, Upper PID Numbers 0700 and and above - Includes:	1
NS	NSS	Drain Pan (Location - Behind upper panel)	2
5	42-00334-00	Gasket (Location - Behind upper panel)	1
6	34-00928-02	Rivet, Blind, 1/8 Diameter, Grip Range - 1/8-3/16	41
7	34-00928-03	Rivet, Blind, 1/8 Diameter, Grip Range - 3/16-1/4	6
8	68-12881-00	Panel, Bottom	1
9	68-12881-01	Panel, Bottom (Provision for heat exchanger location)	1
10	66U1-2403	Screw, Machine, Truss Head, #10-24 x 1/2 lg. - SST	18
11	69NT35-2692	Washer, Fender, #10 x 1.00 OD - SST	18
NS	66U1-8075	Gasket (25 ft., Cut to length)	A/R
12	69NT40-567-2	Door Assembly, Access- Includes:	1
13	44-00376-00	Hinge	1
14	69NT35-7662-2	Spacer, Hinge	1
15	34-01150-30	Washer, Retaining	2
16	34-01150-04	Stud, 1/4 Turn, 0.97 lg.	2
17	34-00928-02	Rivet, Blind, 1/8 Diameter, Grip Range - 1/4-5/16	6
18	62-02822-01	Label, Carrier Transicold	1

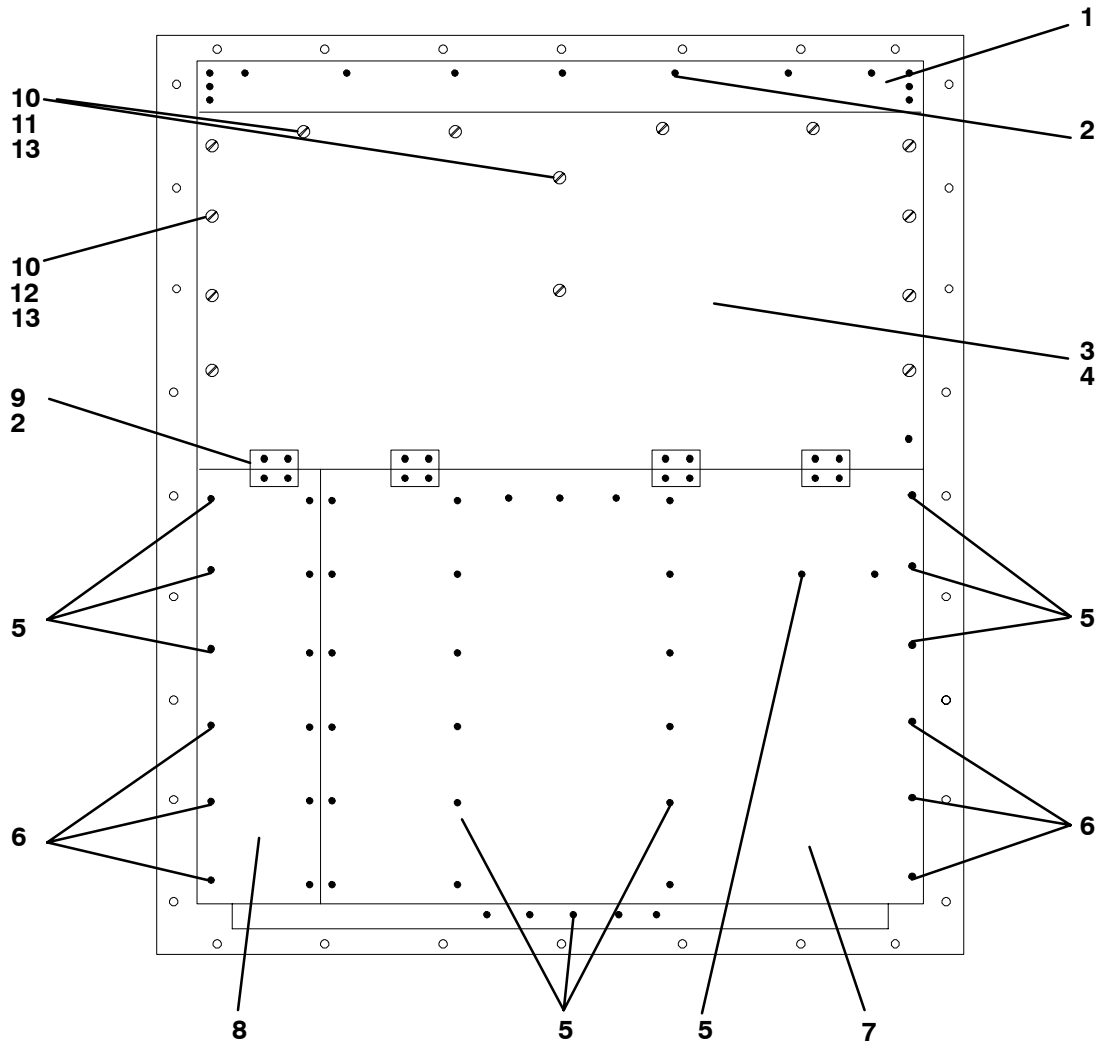
2.24 BACK PANEL ASSEMBLY - OPTION 4 - ALUMINUM HINGED



2.24 BACK PANEL ASSEMBLY - OPTION 4 - ALUMINUM HINGED

Item	Part Number	Description	Qty
1	69NT43-464	Grille, Top	1
2	34-00928-09	Rivet, Blind, 5/32 Diameter, Grip Range - 1/8-1/4	37
3	69NT41-942-4	Panel Assembly, Upper PID Number 0699 and Below - Includes:	1
NS	NSS	Drain Pan, Side	2
NS	NSS	Drain Pan, Center	1
4	42-00334-00	Gasket (Location - Behind upper panel)	1
3	76-00746-01	Panel Assembly, Upper PID Number 0700 and Above - Includes:	1
NS	NSS	Drain Pan	1
4	42-00334-00	Gasket (Location - Behind upper panel)	1
5	34-00928-02	Rivet, Blind, 1/8 Diameter, Grip Range - 1/8-3/16	46
6	34-00928-03	Rivet, Blind, 1/8 Diameter, Grip Range - 3/16-1/9	3
7	68-13475-00	Panel, Bottom, (Painted)	1
	68-13475-08	Panel, Bottom, (Unpainted)	1
8	68-13475-01	Panel, Bottom (Provision for USDA location), (Painted)	1
	68-13475-09	Panel, Bottom (Provision for USDA location), (Unpainted)	1
NS	66U1-8075	Gasket (25 ft., Cut to length)	A/R
9	69NT35-3282	Hinge	4
10	34-01150-30	Washer, Retaining	14
11	34-01150-06	Stud, 1/4 Turn, 1.03 lg.	6
12	34-01150-03	Stud, 1/4 Turn, 0.94 lg.	8
13	34-01150-31	Receptacle, Retaining	14

2.25 BACK PANEL ASSEMBLY - OPTION 5 - STAINLESS STEEL HINGED

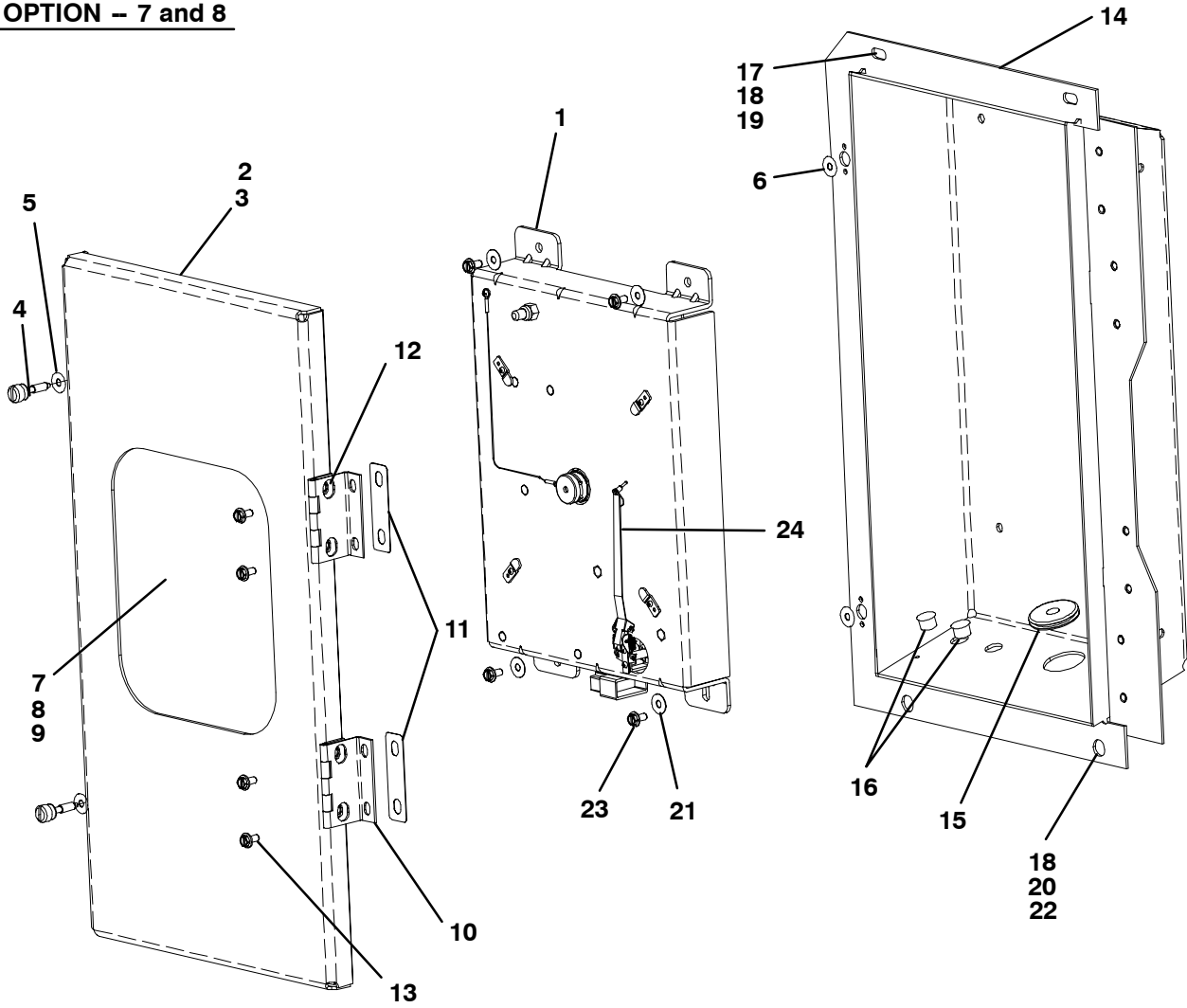


2.25 BACK PANEL ASSEMBLY - OPTION 5 - STAINLESS STEEL HINGED

Item	Part Number	Description	Qty
1	69NT43-464	Grille, Top	1
2	34-00928-09	Rivet, Blind, 5/32 Diameter, Grip Range - 1/8-1/4	37
3	69NT41-942-5	Panel Assembly, Upper PID Number 0699 and Below - Includes:	1
NS	NSS	Drain Pan, Side	2
NS	NSS	Drain Pan, Center	1
4	42-00334-00	Gasket (Location - Behind upper panel)	1
3	76-00746-02	Panel Assembly, Upper PID Number 0700 and Above- Includes:	1
NS	NSS	Drain Pan,	2
4	42-00334-00	Gasket (Location - Behind upper panel)	1
5	34-00928-02	Rivet, Blind, 1/8 Diameter, Grip Range - 1/8-3/16	46
6	34-00928-03	Rivet, Blind, 1/8 Diameter, Grip Range - 3/16-1/9	3
7	69NT35-6598	Panel, Bottom. SST	1
8	69NT35-6598-1	Panel, Bottom (Provision for USDA location), SST	1
NS	66U1-8075	Gasket (25 ft., Cut to length)	A/R
9	69NT35-3282	Hinge	4
10	34-01150-30	Washer, Retaining	14
11	34-01150-06	Stud, 1/4 Turn, 1.03 lg.	6
12	34-01150-03	Stud, 1/4 Turn, 0.94 lg.	8
13	34-01150-31	Receptacle, Retaining	14

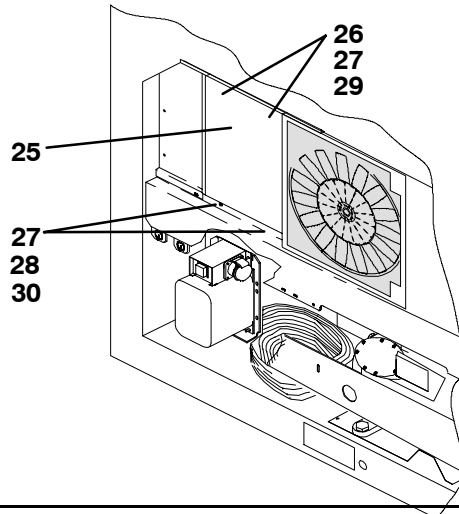
2.26 OPTION 7 AND OPTION 8 - ELECTRONIC PARTLOW TEMPERATURE RECORDER

OPTION - 7 and 8



OPTION 9 - NO TEMPERATURE RECORDER

OPTION 9



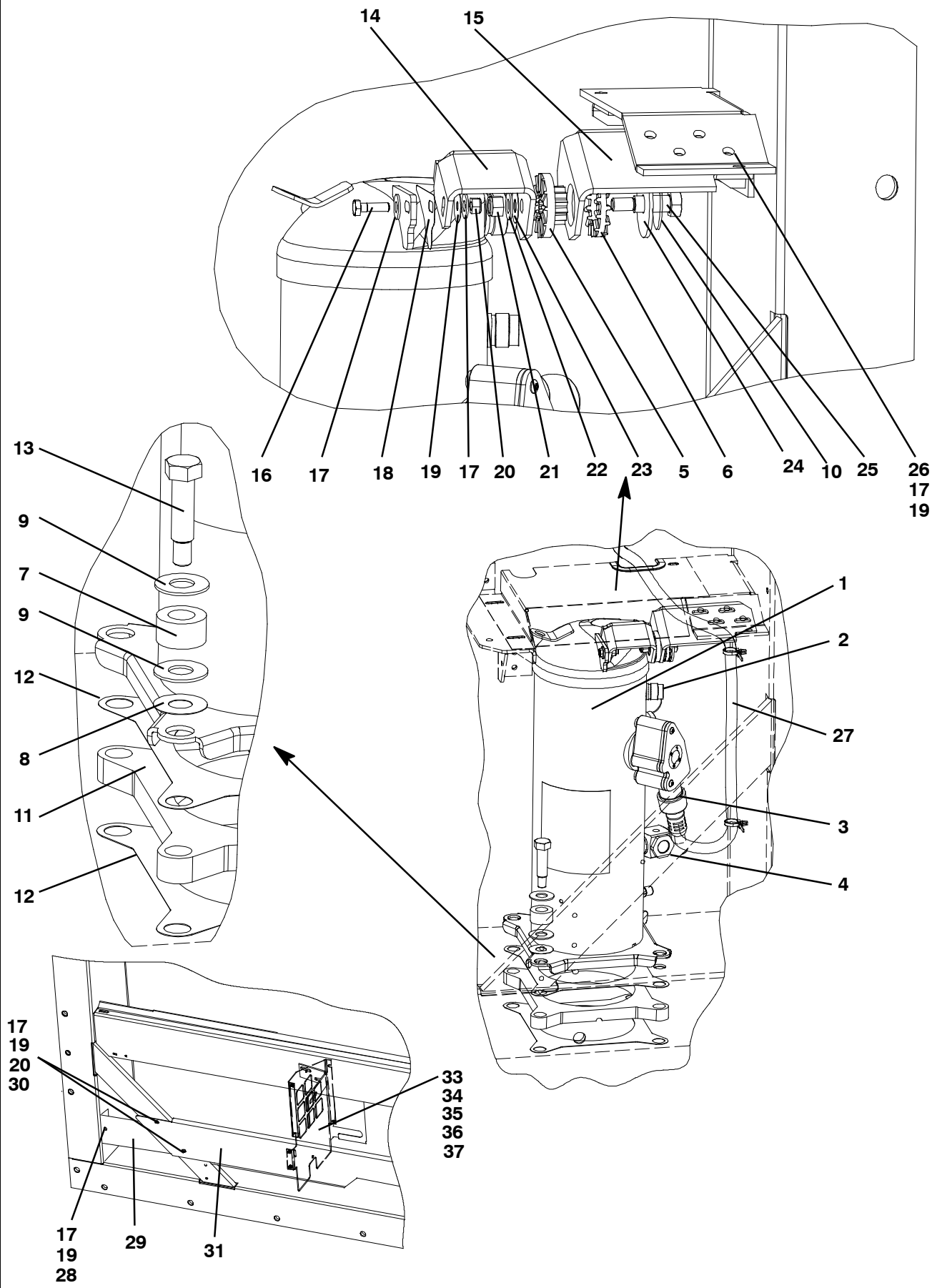
2.26 OPTION 7 AND OPTION 8 - ELECTRONIC PARTLOW TEMPERATURE RECORDER

Item	Part Number	Description	Qty
-	76-00701-11 OPTION 7	Partlow Recorder Kit, Standard - Includes: Recorder, Box & Door Assy's (For field installation, units provisioned for - Refer to Manual T-300)	1
1	12-00464-06	Electronic Temperature Recorder	1
-	76-00701-10 OPTION 8	Partlow Recorder Kit, Special - Includes: Recorder, Box & Door Assy's (For field installation, units provisioned for - Refer to Manual T-300)	1
1	12-00464-05	Electronic Temperature Recorder	1
2	76-00701-05	Door Assembly - Includes:	1
3	42-01098-01	Seal, Door - Rubber	1
4	66U1-6811-8	Screw, Retaining - .300 - .625 Panel Thickness - SST	2
5	34-06053-00	Washer, .25 I.D. x 1.00 O.D. - Mylar	4
6	34-06169-00	Washer, Retaining - SST	2
7	69NT35-5022-5	Window	1
8	69NT35-5352-1	Gasket	1
9	34-00795-09	Nut, Selflock, 1/4-20	4
10	44-00374-00	Hinge	2
11	58-04101-07	Protector - Mylar	4
12	34-06179-04	Screw, Hex Head, SEMS, #10-24 x 5/16 lg.	4
13	34-06179-00	Screw, Hex Head, #10-24 x 7/16 lg. - SST	4
14	76-00701-06SV	Box Assembly - Includes:	1
15	58-00065-67	Grommet, 3/8 ID x 1.25 OD	1
16	58-00065-70	Plug, Hole, .50 DIA	2
17	66U1-5321-7	Washer, Flat, 1/4 - SST	2
18	66U1-5361-25	Screw, Cap, Hex Head, 1/4-20 x .75 lg. - SST	4
19	34-06053-13	Washer, Retaining, .19 I.D. x .80 O.D. - Mylar	2
20	69NT35-2692-1	Washer, Fender, 1/4 I.D. x .993-1.015 O.D.	2
21	34-06053-05	Washer, 1/4 I.D. x 1 O.D. - Mylar	4
22	34-06053-03	Washer, .25 I.D. x .19 O.D. - Mylar	2
23	34-06179-00	Screw, Hex Head, SEMS, #10-24 x 7/16 lg.	4
24	09-00371-00	Stylus, Electronic Partlow Kit, Includes:	
NS	-	Chart - Owner Supplied	A/R
NS	09-00128-00	Charts °F - 31 Day (Box of 50) (-20°F to +80°F)	A/R
NS	09-00128-01	Charts °C - 31 Day (Box of 50) (-25°C to +25°C)	A/R

OPTION 9 - NO TEMPERATURE RECORDER

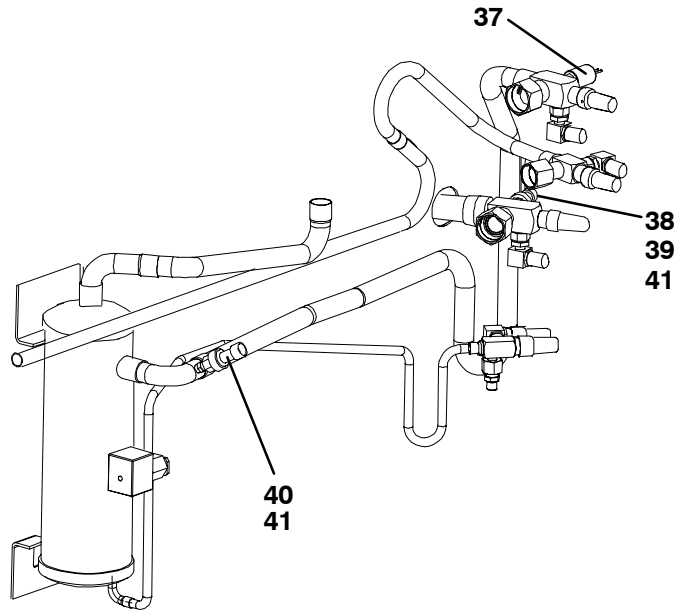
Item	Part Number	Description	Qty
25	68-12658-01	Panel	1
26	66U1-5321-7	Washer, Flat, 1/4 - SST	2
27	66U1-5361-25	Screw, Cap Hex Head, 1/4-20 x .75 lg. - SST	4
28	69NT35-2692-1	Washer, Fender, 1/4 I.D. x .993-1.015 O.D.	2
29	34-06053-13	Washer, Retaining, .195 I.D. x .80 O.D. - Mylar	2
30	34-06053-03	Washer, .25 I.D. x 1.00 O.D. - Mylar	2

2.27 COMPRESSOR MOUNTING COMPONENTS AND GUARD



2.27 COMPRESSOR MOUNTING COMPONENTS AND GUARD

Item	Part Number	Description	Qty
1	18-00095-21SV	Compressor, Scroll - Includes: (See Section 4)	-
2	42-00384-01	Seal, Rotolock, 1-14	1
NS	42-00384-02	Seal, Rotolock, 1-1/4-12	2
NS	07-00427-00	Compressor Oil	2
3	18-00077-41	O-Ring	1
4	18-10128-50	Sight Glass with Neoprene O-Ring	1
5	58-04461-00	Shockmount, Bushing	1
6	58-04461-01	Shockmount, Ring	1
7	58-04451-00	Mount, Resilient, 80A	4
8	34-06053-20	Washer, Mylar - 1.50 X .65	4
9	34-06236-00	Washer, .687 X 1.50 X .078 - SST	8
10	58-04026-62	Protector, Mylar	1
11	48-00350-01SV	Base, Compressor (Painted) - Includes:	1
12	58-04435-00	Protector, Mylar	2
13	34-06174-03	Bolt, Shoulder, 1/2-13 UNC - SST	4
14	86-04406-00	Bracket Assembly	1
15	86-04405-00	Bracket Assembly	1
16	66U1-5361-47	Bolt, Machine Hex Head, 1/4-20 X 1.25 lg. - SST	1
17	66U1-5321-7	Washer, Plain 1/4 - SST	15
18	58-04463-00	Protector, Mylar	1
19	34-06053-00	Washer, Mylar .250 ID X .800 OD	14
20	34-00667-11	Nut, Self Lock 1/4-20 - SST	5
21	34-00667-13	Nut, Self Lock 3/8-16 - SST	1
22	66U1-5321-5	Washer, Plain 3/8 N Type A - SST	1
23	34-06053-02	Washer, Mylar .375 ID X 1.00 OD	1
24	34-06060-03	Washer, Snubbing .537 ID X 2.00 OD	1
25	34-06174-04	Bolt, Shoulder, 3/8-16 UNC - SST	1
26	34-00655-04	Screw, Cap Hex Head 1/4-20 x .50 - SST	4
27	22-04040-00	Cable, Power	1
28	66U1-5361-25	Screw, Hex Head, 1/4-20 x 3/4 lg. - SST	1
29	68-12993-00	Panel, Guard	1
30	66U1-5361-11	Capscrew, Hex Head, 1/4-20 x 1-1/2 lg. - SST	4
31	68-12758-00	Guard (Blue), Compressor	1
32	68-12758-20	Guard (White), Compressor	1
33	66U1-5321-8	Washer, Flat, #10 - SST	7
34	34-06053-05	Washer, Mylar, 0.205 ID x 0.600 OD	7
35	66U1-5371-7	Screw, Slotted Head, #10-24 x .50 lg. - SST	5
36	68-14777-00	Partition	1
37	68-14778-00	Bracket	1

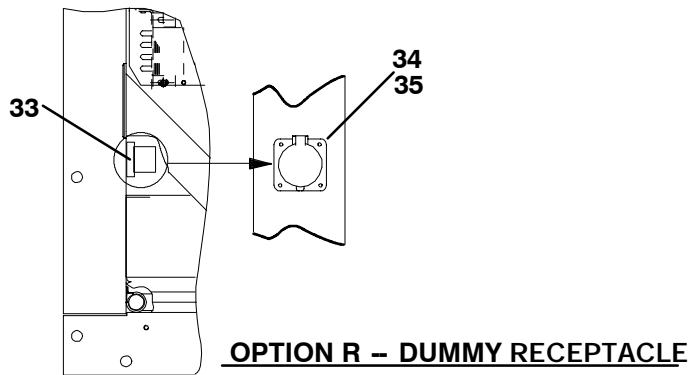
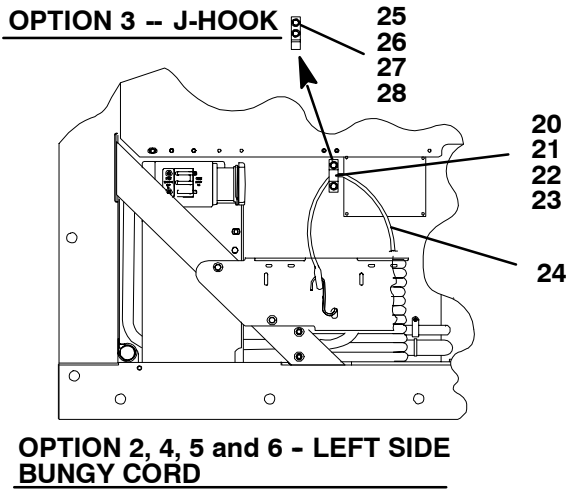
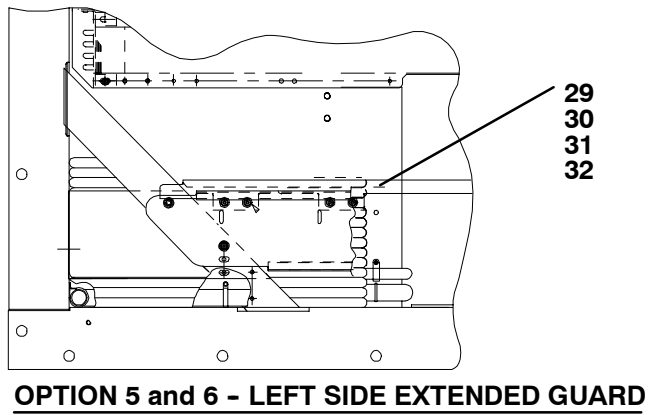
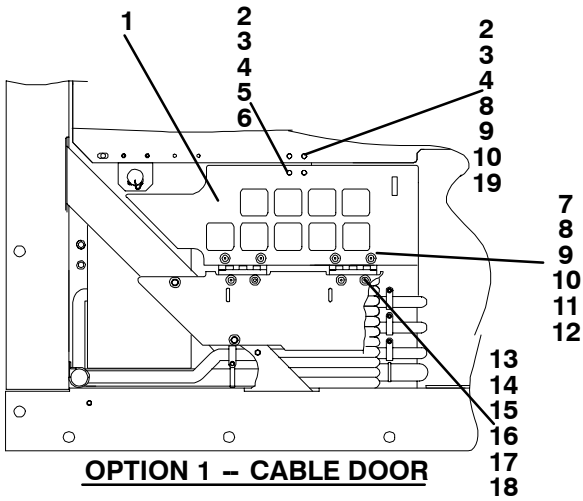
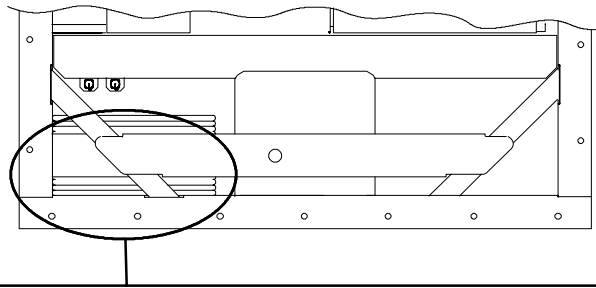


Option T - Transducer Locations

2.28 TRANSDUCERS

Item	Part Number	Description	Qty
OPTION T - PRESSURE TRANSDUCERS			
37	12-00309-05	Switch, Pressure	1
-	12-00352-07SV	Transducer Kit - Includes:	1
38	12-00352-07	Transducer, Suction NSS	1
39	22-01713-12	Cable, SPT Patch	1
40	12-00352-00	Transducer, Discharge	1
41	EC39DM070	Core, Check Valve (Used with 40-00604-00 Tee)	3

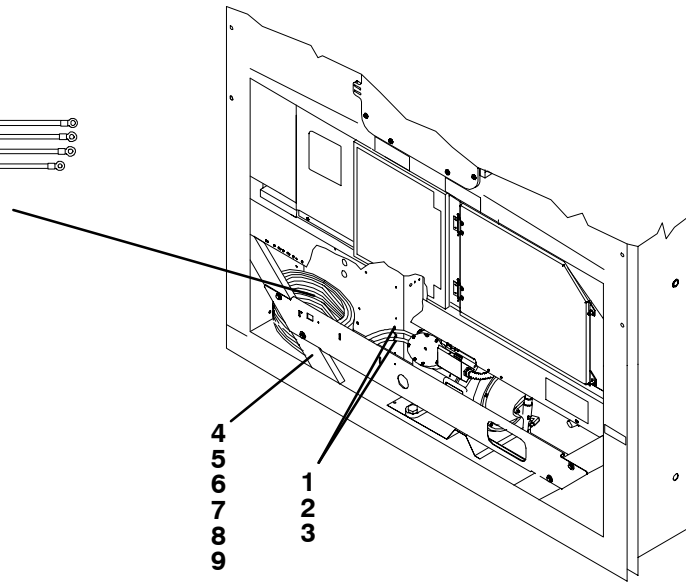
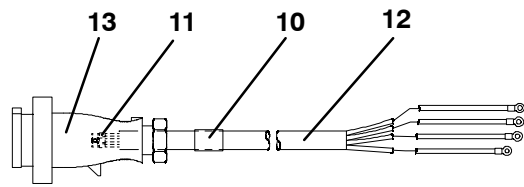
2.29 CABLE RESTRAINT COMPONENTS



2.29 CABLE RESTRAINT COMPONENTS

Item	Part Number	Description	Qty
OPTION 1 - CABLE DOOR			
1	69NT41-724-4	Cover Assembly w/Latch, Cable Storage - Includes:	1
2	34-06126-08	Screw, Hex Head, #4-40 x 1/2 lg. - SST	2
3	34-00662-05	Washer, Flat, #4 -SST	4
4	34-00667-05	Locknut, Hex Head, #4-40	2
5	34-06053-08	Washer, Mylar, 1/8 ID x 3/8 OD	2
6	44-00340-03	Latch	1
7	69NT35-8032	Hinge	2
8	66U1-2403	Screw, Truss Head, #10-24 x 1/2 lg. - SST	4
9	66U1-5321-8	Washer, Flat, #10	4
10	34-00667-09	Locknut, Hex Head, #10-24 - SST	4
11	34-06053-05	Washer, Mylar, 3/16 ID x 5/8 OD	4
12	58-04001-02	Protector, Mylar	2
13	58-04001-01	Protector, Mylar	1
14	34-06053-05	Washer, Mylar, 3/16 ID x 5/8 OD	2
15	34-01167-01	Retainer, Nut	1
16	66U1-2403	Screw, Truss Head, #10-24 x 1/2 lg. - SST	2
17	66U1-5321-8	Washer, Flat, #10 - SST	2
18	66U1-5331-3	Washer, Lock, #10 - SST	4
19	44-00340-05	Latch, Catch	1
OPTION 2 - LEFT BUNGY CORD ONLY			
20	69NT35-5992	Cable Restraint	1
21	66U1-5321-7	Washer, Flat, 1/4 - SST	2
22	66U1-5361-25	Screw, Cap, Hex, Head, 1/4-20 x .75 lg - SST	2
23	34-06053-03	Washer, Mylar, .25 I.D. X 1.00 O.D.	2
24	66U1-2603	Strap, Tie Down	1
OPTION 3 - J-HOOK			
25	69NT35-8382	Cable Restraint, J-Hook	1
26	58-04026-22	Protector, Mylar	1
27	66U1-5321-7	Washer, Flat, 1/4 - SST	2
28	66U1-5361-25	Screw, Cap, Hex, Head, 1/4-20 x .75 lg - SST	2
OPTION 5 - LEFT BUNGY CORD WITH LEFT EXTENDED GUARD (Use Option 2 Plus the Items Below)			
29	68-13310-00	Bracket, Left	1
30	66U1-2403	Screw, Truss Head, #10-24 x 1/2 lg. - SST	A/R
31	66U1-5321-8	Washer, Flat, #10 - SST	A/R
32	34-06053-05	Washer, Mylar, 3/16 ID x 5/8 OD	A/R
OPTION R - DUMMY RECEPTICAL (for use in additon to Options 1-5)			
33	22-01679-03	Receptacle	1
34	66U1-5321-8	Washer, Flat, #10 SST	4
35	66U1-5371-6	Screw, Cap, Hex, Head, 10-24 x .75 lg - SST	4

2.30 VOLTAGE CABLES



Item	Part Number	Description	Qty
------	-------------	-------------	-----

CLAMPS ON BACK WALL AND CABLE CUTTERS

1	34-00373-56	Clamp, Tube, Cushioned, 9/16 Diameter (Used with Transicord)	A/R
	34-00373-59	Clamp, Tube, Cushioned, 3/4 Diameter	A/R
2	66U1-5381-1	Screw, Hex Head, #10-24 x 3/4 lg. - SST	A/R
3	34-06053-03	Washer, Mylar, 1/4 ID x 1.00 OD	A/R
4	69NT35-6412-2	Clamp, Cable Cutter, 8 AWG cable	1
	68-14456-00	Clamp, Cable Cutter, 10 AWG cable	1
	58-14456-01	Clamp, Cable Cutter, 11 AWG cable	1
5	58-04026-07	Protector, Mylar	A/R
6	66U1-5361-11	Screw, Machined Hex Head, 1/4-20 x 1-1/2 lg. - SST	A/R
7	34-00667-11	Locknut, Hex Head, 1/4-20 - SST	A/R
8	66U1-5321-7	Washer, Flat, 1/4 - SST	A/R
9	34-06053-03	Washer, Mylar, 0.25 I.D. x 1.00 O. D.	A/R

460V CABLES

STANDARD PARTS FOR ALL 460V CABLES

10	66U1-2583	Heat Shrink Tube (Coil Label) - "460V"	1
11	22-02324-01	Bushing (Used with Standard Cable)	4
	22-02324-05	Bushing (Used with Transicord)	4

OPTION 1

12	66U1-9782	Cable, Power - Yellow, 10/4	A/R
13	22-02378-00	Plug, Power	1

OPTION 2

12	22-01551-00	Cable, Power - Yellow, 33 amp, 11 AWG	A/R
13	22-02378-00	Plug, Power	1

OPTION 3

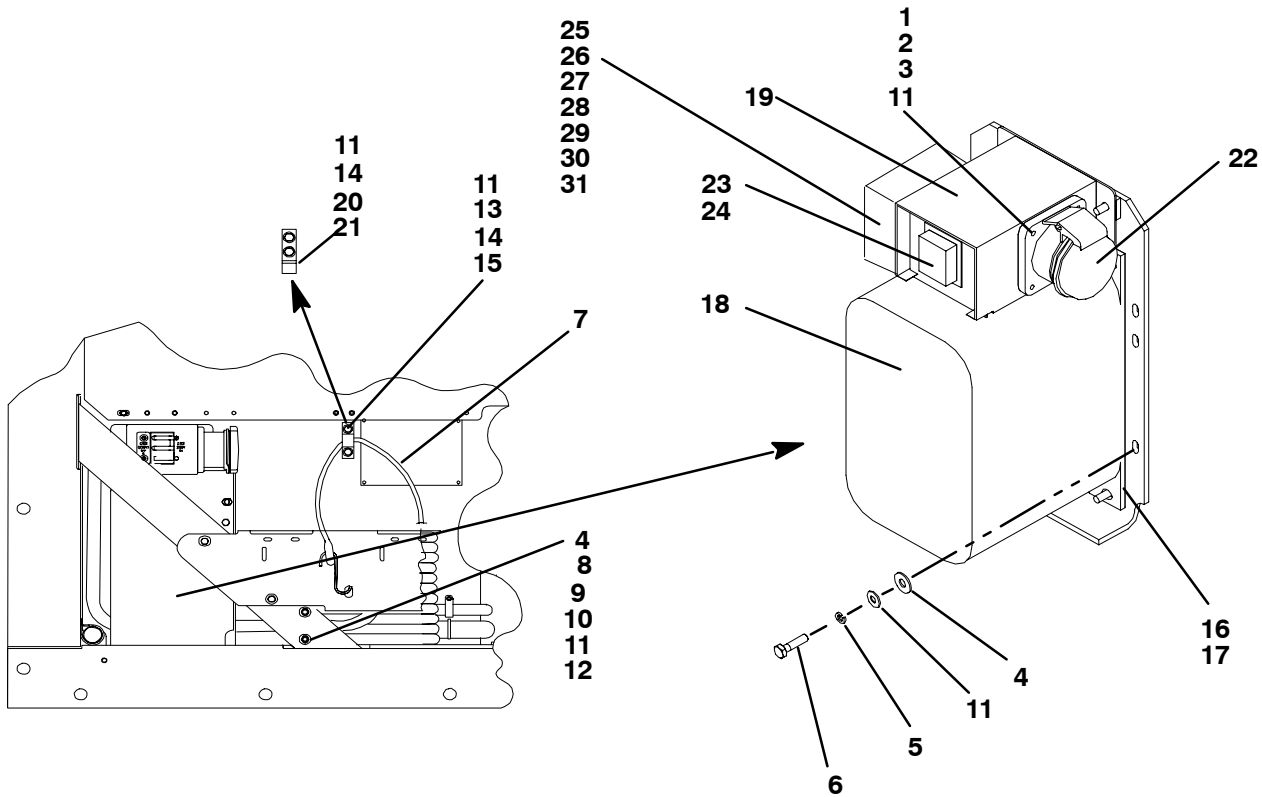
12	66U1-9782	Cable, Power - Yellow, 10/4	A/R
13	22-01891-00	Plug, Power	1

OPTION 4

12	22-01551-00	Cable, Power - Yellow, 33 amp, 11 AWG	A/R
13	22-01891-00	Plug, Power	1

2.30 VOLTAGE CABLES (Continued)			
Item	Part Number	Description	Qty
OPTION 5			
12	22-01551-00	Cable, Power - Yellow, 33 amp, 11 AWG	A/R
13	22-01883-00	Plug, Power	1
OPTION 6			
12	22-01551-00	Cable, Power - Yellow, 33 amp, 11 AWG	A/R
13	22-01891-00	Plug, Power	1
OPTION 7			
12	66U1-9782	Cable, Power - Yellow, 10/4	A/R
13	22-01891-00	Plug, Power	1
OPTION 8			
12	66U1-9782	Cable, Power - Yellow, 10/4	A/R
13	22-01932-00	Plug, Power	1
OPTION 9			
12	66U1-9782	Cable, Power - Yellow, 10/4	A/R
13	22-02232-00	Plug, Power	1
230V CABLES			
STANDARD PARTS FOR ALL 230V CABLES			
10	66U1-2583-1	Heat Shrink Tube (Coil Label) - "230V"	1
11	22-02324-02	Bushing (Used with 8 AWG)	4
12	66U1-9782-1	Cable, Power - Black, 35 amps, 8 AWG	A/R
OPTION 1			
13	22-02188-00	Plug, Power	1
OPTION 2			
13	22-02375-00	Plug, Power	1
OPTION 3			
13	66U1-6782-3	Plug, Power	1
OPTION 4			
13	22-01744-00	Plug, Power	1
OPTION 5			
13	22-02322-00	Plug, Power	1
OPTION 6			
13	22-01884-00	Plug, Power	1
OPTION 7			
13	66U1-6782	Plug, Power	1
OPTION 8			
13	22-01931-00	Plug, Power	1
OPTION 9			
13	22-01906-00	Plug, Power	1

2.31 AUTOTRANSFORMER KIT

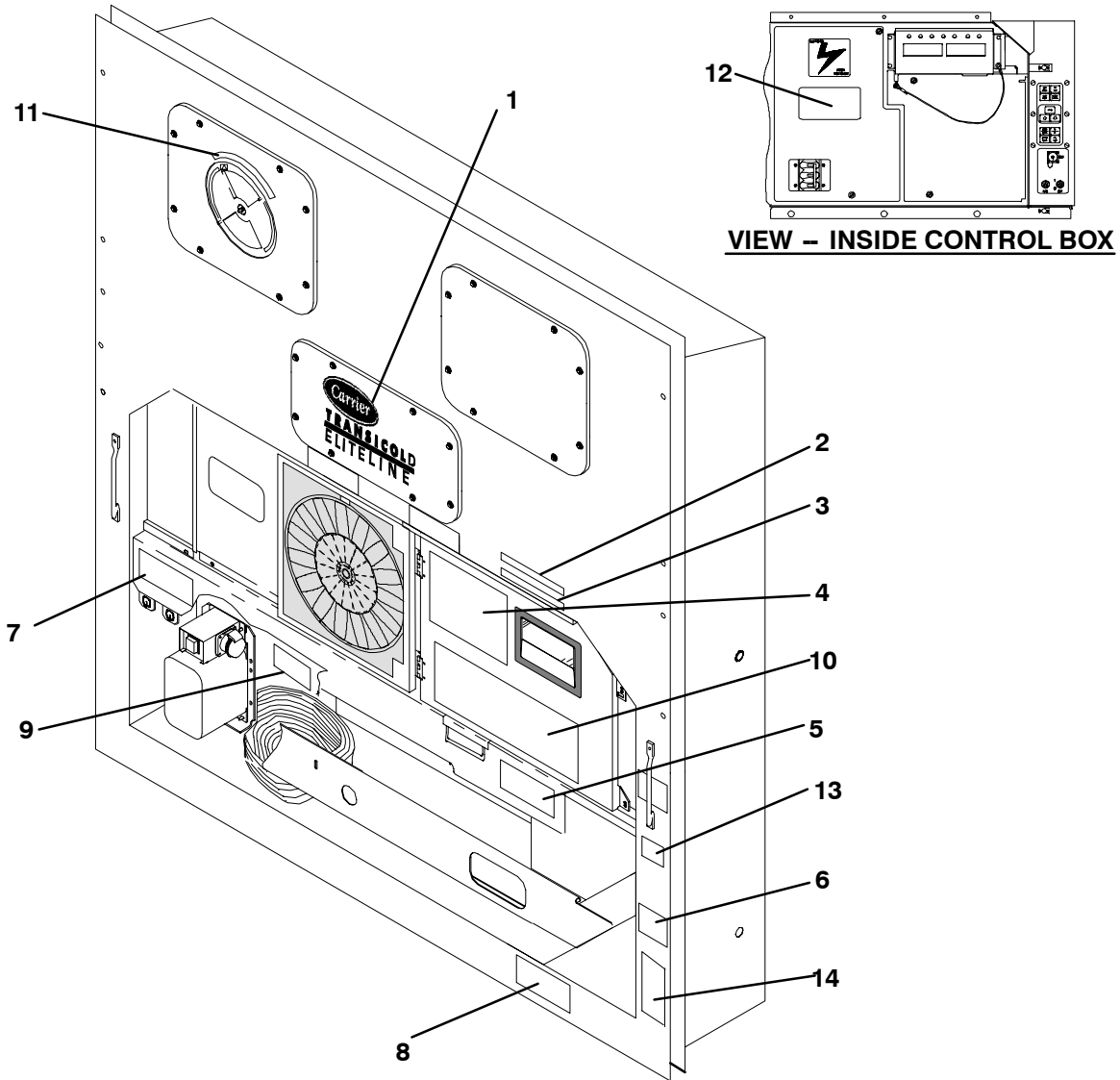


Item	Part Number	Description	Qty
STANDARD PARTS INCLUDED IN EVERY 76-00670 SERVICE KIT			
-	76-00670-xx	Standard Parts Included in the Service Kits Include:	1
1	66U1-5371-7	Screw, Hex Head, #10-24 x 1/2 lg. - SST	4
2	66U1-5321-8	Washer, Flat, #10 - SST	4
3	34-06053-05	Washer, Mylar, 0.205 ID x 0.600 OD	4
4	34-06053-00	Washer, Mylar, 0.250 ID x 0.800 OD	5
5	AU11JR171	Washer, Lock, 1/4 - SST	5
6	AA06JA170	Screw, Hex Head, 1/4-20 x 1.00 lg.	5
7	66U1-2603	Strap, Tie Down	1
8	69NT35-6412-2	Clamp, Cable Cutter, 8 AWG cable	1
	69NT35-6412	Clamp, Cable Cutter, 10 AWG cable	1
	69NT35-6412-1	Clamp, Cable Cutter, 11 AWG cable	1
9	58-04026-07	Protector, Mylar	1
10	66U1-5361-11	Screw, Machined Hex Head, 1/4-20 x 1-1/2 lg. - SST	2
11	66U1-5321-7	Washer, Flat, 1/4 - SST	A/R
12	34-00667-11	Locknut, Hex Head, 1/4-20 - SST	2
13	69NT35-5992	Clamp, Tie Down Strap	1
14	66U1-5361-25	Bolt, Hex Head, 1/4-20 x 3/4 lg. - SST	A/R
15	34-06053-03	Washer, Mylar, 0.25 ID x 1.00 O.D.	2
16	69NT43-374	Bracket Assembly	1
17	58-04026-17	Protector, Mylar	1

2.31 AUTOTRANSFORMER KIT (Continued)

Item	Part Number	Description	Qty
OPTION 1 - AUTOTRANSFORMER			
See Previous Page for Standard Parts Included in the Kit and use with Items Below			
-	76-00670-02	Transformer Kit, Field Installation, without CB2 - Includes:	1
18	10-01139-04	Transformer, Dual Voltage Modular	1
NS	22-01778-00	Terminal Block - Used only without CB2	1
19	69NT43-470-1	Box Assembly	1
20	69NT35-8382	Clamp, Tie Down Strap	1
21	58-04026-22	Protector, Mylar	1
OPTION 2 - AUTOTRANSFORMER WITH CB2 AND RECEPTACLE			
See Previous Page for Standard Parts Included in the Kit and use with Items Below			
-	76-00670-01	Transformer Kit, Field Installation, with CB2 - Includes:	1
18	10-01139-04	Transformer, Dual Voltage Modular	1
19	69NT43-470	Box Assembly - Used only with CB2	1
22	22-01679-00	Receptacle - 32 Amp	1
	22-01679-01	Receptacle w/ Screw Cap - 32 Amp, Alternate, SOLD SEPARATELY	1
20	69NT35-8382	Clamp, Tie Down Strap	1
21	58-04026-22	Protector, Mylar	1
-	76-00667-05	Circuit Breaker Kit, Field Installation - Includes:	1
23	10-00083-05	Circuit Breaker, 70 amp - 250 vac, 50/60 hz	1
24	66U2-1531	Boot - Includes:	1
NS	NSS	Frame	1
NS	NSS	Screw, Self Sealing, #6-32 x 3/8 lg. - SST	6
OPTION 3 - AUTOTRANSFORMER WITH CB2 AND BRIDGING UNIT			
See Previous Page for Standard Parts Included in the Kit and use with Items Below			
-	76-00670-03	Transformer Kit, Field Installation, with CB2 and TBU - Includes:	1
18	10-01139-04	Transformer, Dual Voltage Modular	1
19	69NT43-470-2	Box Assembly	1
20	69NT35-8382	Clamp, Tie Down Strap	1
21	58-04026-22	Protector, Mylar	1
-	76-00667-05	Circuit Breaker Kit, Field Installation - Includes:	1
23	10-00083-05	Circuit Breaker, 70 amp - 250 vac, 50/60 hz	1
24	66U2-1531	Boot - Includes:	1
NS	NSS	Frame	1
NS	NSS	Screw, Self Sealing, #6-32 x 3/8 lg. - SST	6
25	12-00474-00	Bridge Unit, Transformer	1
26	42-00470-00	Gasket, Transformer Bridge Unit	1
27	34-06221-00	Screw, Hex Head, #10-24 x 2.50 lg. - SST	2
28	34-00667-09	Locknut, Hex Head, #10-24 - SST	2
29	66U1-5321-8	Washer, Flat #10 - SST	2
30	34-06053-05	Washer, Mylar 0.205 I.D. x 0.600 O.D.	2
31	22-02324-01	Bushing, 0.142 I.D. x 0.472 O.D.	3
OPTION 4 - AUTOTRANSFORMER WITH CB2 AND RECEPTACLE			
See Previous Page for Standard Parts Included in the Kit and use with Items Below			
-	76-00670-04	Transformer Kit, Field Installation, with CB2 - Includes: Everything in kit 76-00670-01 except replace Item #22 with below	1
22	22-01734-01	Receptacle - 32 Amp	1

2.32 LABELS AND DECALS (Not Applicable to All Units)



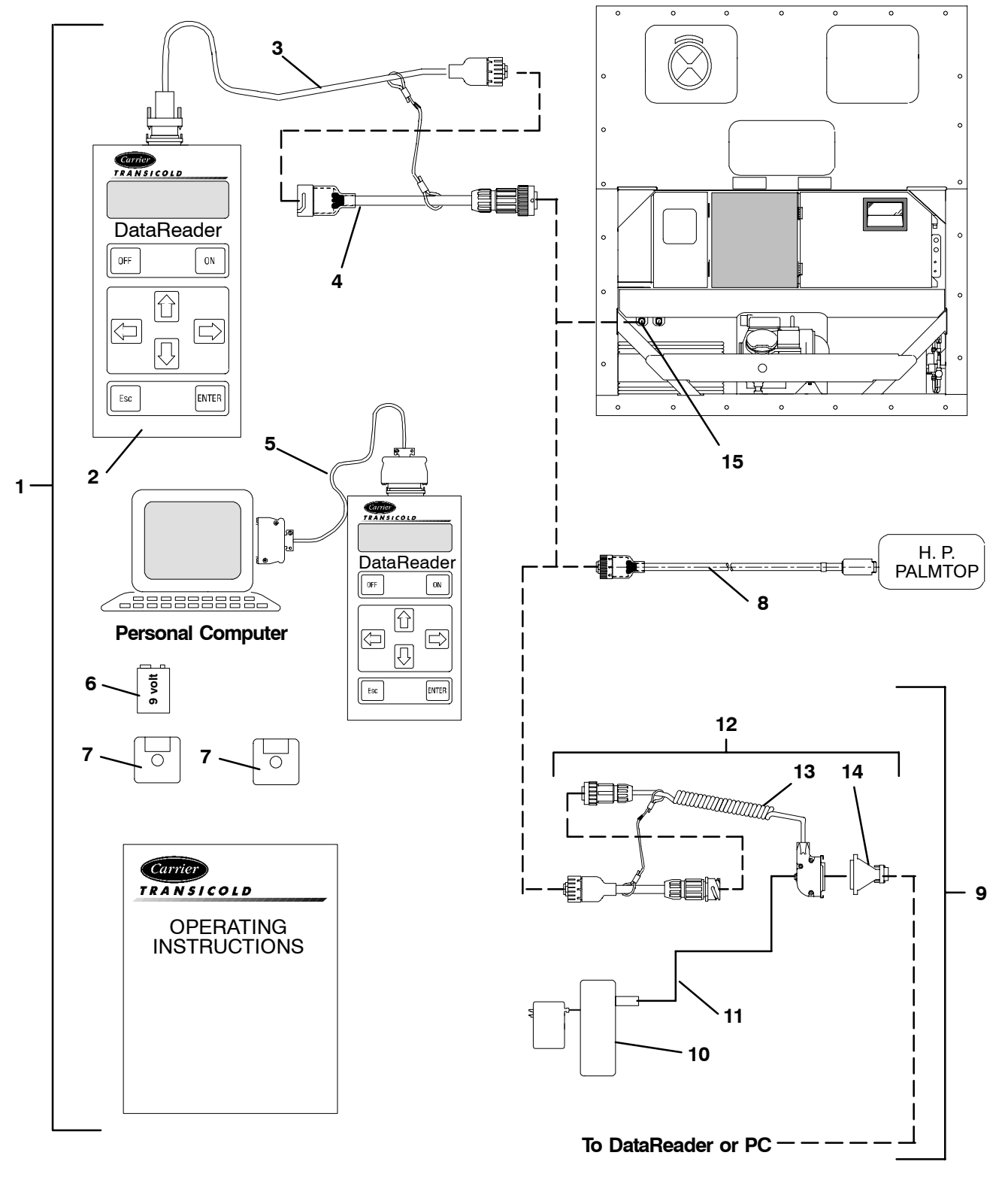
Item	Part Number	Description	Qty
STANDARD LABELS			
1	62-02531-00	Decal, Carrier Eliteline	1
2	69NT35-3867	Label, Economy Mode	1
3	69NT35-3907	Label, Humidity Control Sensor	1
4	62-02721-07	Label, Function Code - <i>English</i>	1
5	62-10902-02	Label, USDA Cold Certified	1
	62-10902-03	Label, Micro-Link 3 with USDA Cold Certified	1
	62-10902-04	Label, Micro-Link 3 without USDA Cold Certified	1
6	62-02444-01	Label, Charge with R-134a	1
7	62-10259-00	Label, R-134a - Ozone Protection - <i>English</i>	1
	62-02530-01	Label, R-134a - Ozone Protection, Umbrella Only - <i>English</i>	1
8	62-02458-01	Label, POE Compressor Oil	1
9	62-02785-00	Label, CE	1
NS	69NT35-6118	Label, USDA (Location - Back of Unit, top left side)	1

2.32 LABELS AND DECALS (Continued)

Item	Part Number	Description	Qty
OPTION 1 - ENGLISH			
10	62-02743-16	Label, Operating Instructions (Electronic Partlow w/ Supply & Return Air)	1
10	62-02743-18	Label, Operating Instructions (No Recorder)	1
11	62-02723-00	Label, Fresh Air Makeup - <i>English</i>	1
11	62-02723-03	Label, Fresh Air Makeup (w/ Full CMH) - <i>English</i>	1
11	62-02723-10	Label, Fresh Air Makeup (w/ Full CMH + CFM) - <i>English</i>	1
12	62-10532-00	Label, Welding Precautions - <i>English</i>	1
13	62-10766-00	Label, Compressor Removal - <i>English</i>	1
14	62-10717-00	Label, Warning Compressor Power-Up - <i>English</i>	1
OPTION 2 - ENGLISH/SPANISH			
10	62-02743-01	Label, Operating Instructions (Partlow w/ Return Air) - <i>English/Spanish</i>	1
10	62-02743-10	Label, Operating Instructions (No Recorder)- <i>English/Spanish</i>	1
11	62-02723-02	Label, Fresh Air Makeup - <i>English/Spanish</i>	1
11	62-02723-04	Label, Fresh Air Makeup (w/ Full CMH) - <i>English/Spanish</i>	1
12	62-10532-02	Label, Welding Precautions - <i>English/Spanish</i>	1
13	62-10532-00	Label, Compressor Removal - <i>English/Spanish</i>	1
14	62-10532-00	Label, Warning Compressor Power-Up - <i>English/Spanish</i>	1
OPTION 5 - ENGLISH/TRADITIONAL CHINESE			
10	62-02743-19	Label, Operating Instructions (Electronic Partlow w/ Supply & Return Air) - <i>English/Chinese</i>	1
11	62-02723-06	Label, Fresh Air Makeup - <i>English/Chinese</i>	1
12	62-10532-04	Label, Welding Precautions - <i>English/Chinese</i>	1
13	62-10532-00	Label, Compressor Removal - <i>English</i>	1
14	62-10532-00	Label, Warning Compressor Power-Up - <i>English</i>	1

3 INTERROGATOR AND ACCESSORIES

3.1 DATAREADER



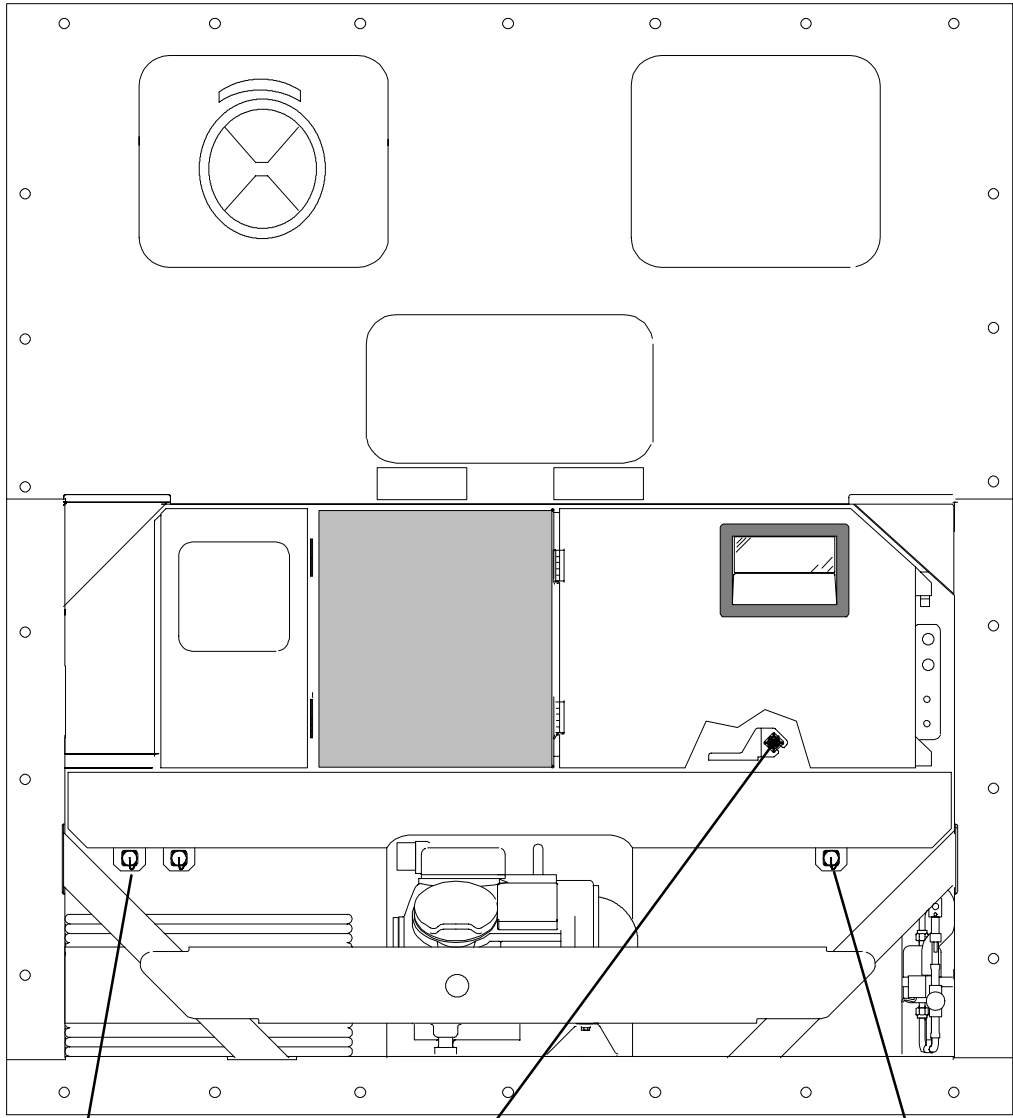
3.1 DATAREADER

Item	Part Number	Description	Qty
1	07-00321-07/2.5	Kit, DataReader - Includes:	1
2	12-00377-01	DataReader NSS	1
3	22-01737-00	Cable, Download	1
4	22-01737-01	Cable, Adapter	1
5	22-01743-00	Cable, Upload	1
6	PL	Battery, Alkaline - 9 Volt	1
-	07-00406-00	Disk Kit, DataView (DOS) (3.5 DS/HD Diskettes, Formatted) (SEE NOTE) - Includes:	1
7	12-00413-05SV	Software, DataView NSS	1
7	12-00528-00	Software, DataView (Scroll) NSS	1
8	22-01737-02	Cable, H. P. Palmtop	1
9	76-50058-00	Kit, Battery, with Cable - Includes:	1
10	NSS	Battery, External, with Battery Charger	1
11	22-02401-00	Cable	1
12	76-50059-00	Kit, Cable, with Adapter - Includes:	1
13	22-02418-02	Cable, Interrogator	1
14	22-02420-00	Adapter	1
15	-	Receptacle - Refer to section 3.2	-

NOTE

Kit includes a 3.5 DS/HD Diskette, Formatted. If a DS/DD Diskette is required, contact a Customer Service Representative.

3.2 INTERROGATOR RECEPTACLE



OPTION 1, OPTION 4 & OPTION 5

- | | | |
|----------|-----------|-----------|
| 1 | 9 | 13 |
| 2 | 10 | 14 |
| 3 | 11 | 15 |
| 4 | 12 | 16 |

OPTION 3

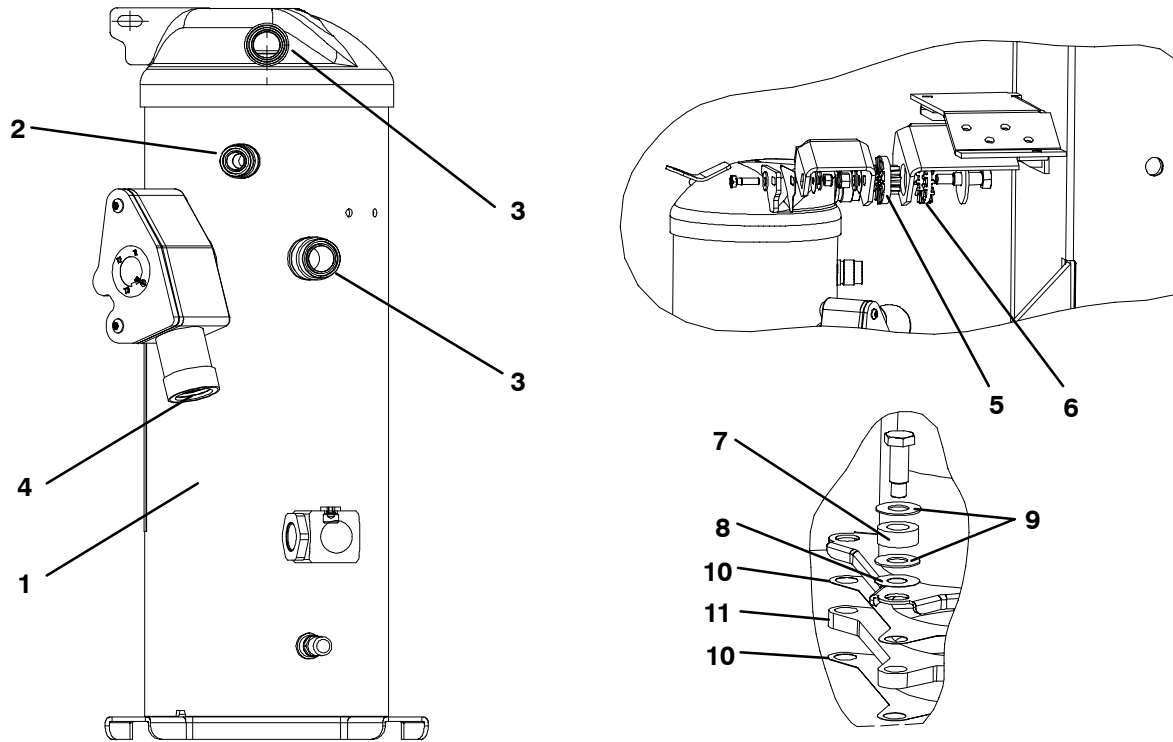
- | |
|----------|
| 5 |
| 6 |
| 7 |
| 8 |

OPTION 2 & OPTION 6

- | | |
|----------|-----------|
| 1 | 9 |
| 2 | 10 |
| 3 | 11 |
| 4 | 12 |

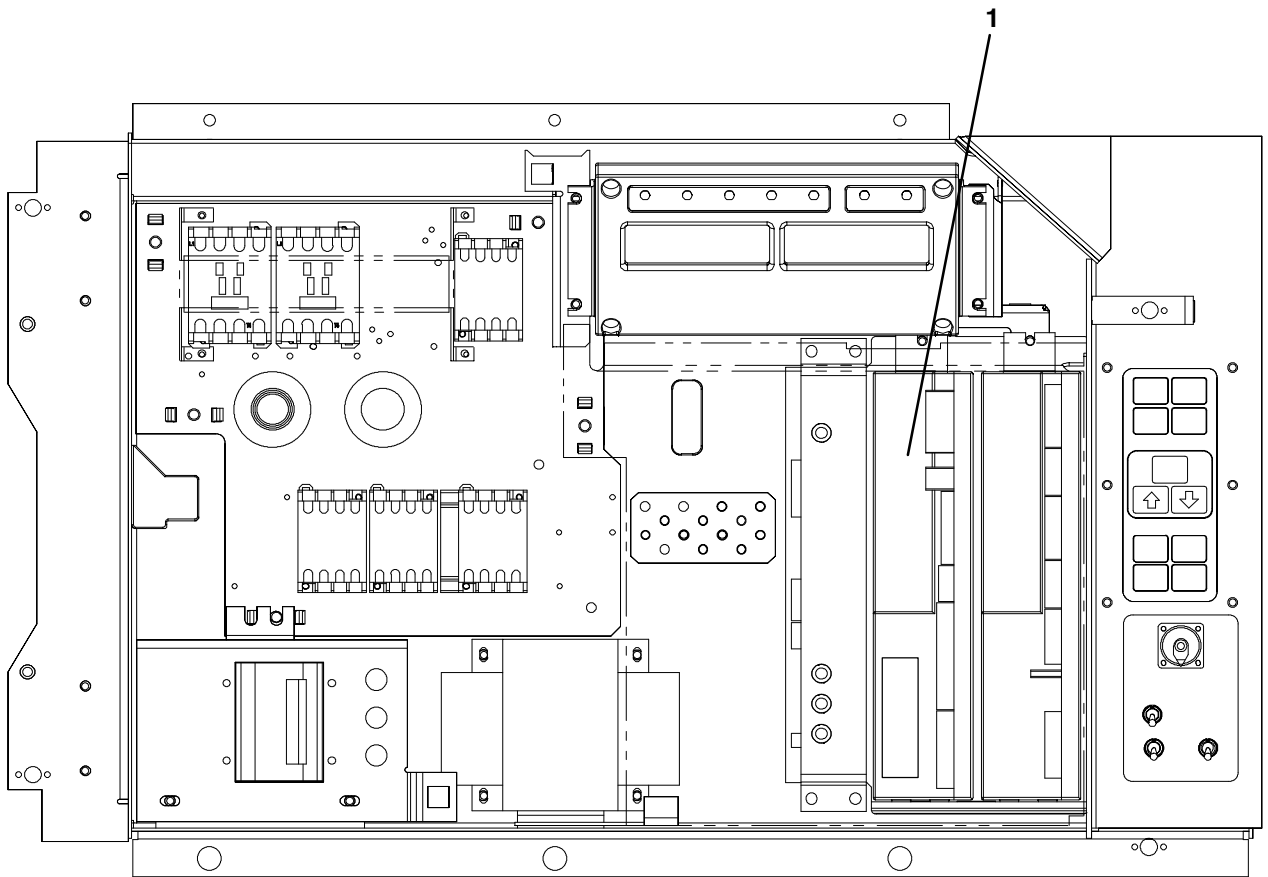
3.2 INTERROGATOR RECEPTACLE			
Item	Part Number	Description	Qty
OPTION 1 - LEFT STRAIGHT MOUNT & OPTION 2 - RIGHT STRAIGHT MOUNT			
1	22-01660-03	Receptacle, Interrogator (ICR) (5 Pin)	1
2	22-01613-14	Contact, Pin, #16	5
3	69NT43-176	Cap, Dust, with Tether (5 Pin)	1
4	69NT41-192	Bracket, Interrogator Connector	1
OPTION 3 - BOX MOUNT			
5	22-01660-03	Receptacle, Interrogator (ICR) (5 Pin)	1
6	22-01613-14	Contact, Pin, #16	5
7	68-12434-02	Bracket, Interrogator Connector	1
8	42-00174-38	Gasket, Interrogator Connector Bracket	1
OPTION 4 - LEFT STRAIGHT MOUNT AND OPTION 6 - RIGHT STRAIGHT MOUNT			
9	22-02412-00	Receptacle, Interrogator (ICR) (5 Pin)	1
10	22-02412-02	Contact, Pin, #16	5
11	22-02413-00	Cap, Dust, with Tether (5 Pin)	1
12	69NT40-222	Bracket, Interrogator Connector	1
OPTION 5 - LEFT ANGLED MOUNT			
13	22-01660-03	Receptacle, Interrogator (ICR) (5 Pin)	1
14	22-01613-14	Contact, Pin, #16	5
15	69NT43-176	Cap, Dust, with Tether (5 Pin)	1
16	68-12553-00	Bracket, Interrogator Connector	1
NOTE			
Do not mix silver and gold pins and sockets.			

4 COMPRESSOR



Item	Part Number	Description	Qty
1	18-00095-21SV	Compressor, Scroll (See Section 2.27) - Includes:	1
2	42-00384-01	Seal, Rotolock, 1-14	1
3	42-00384-02	Seal, Rotolock, 1-1/4-12	2
4	18-00077-41	O-Ring	1
5	58-04461-00	Shockmount, Bushing	1
6	58-04461-01	Shockmount, Ring	1
7	58-04451-00	Mount, Resilient, 80A	4
8	34-06053-20	Washer, Mylar - 1.50 X .65	4
9	34-06236-00	Washer - .687 X 1.50 X .78	8
10	58-04435-00	Protector, Mylar	2
11	48-00350-01SV	Base, Compressor (Painted)	1
NS	07-00427-00	Compressor Oil (Quart)	2

5 CONTROLLER/DATACORDER CONFIGURATION



Item	Part Number	Description	Qty
1	12-55007	Controller - Un-Configured (See Note 1)	1
	-	Controller - Configured (See Note 2 and Refer to Container Unit Matrix)	1

NOTES

1. The last four digits of the Part Number refer to the operation software revision.
2. The Controller/DataCORDER module is shipped with the operational software already loaded, however, when ordering this part number the end user must load the configuration software at the time of installation.

6 TOOLS

PART NO.	DESCRIPTION
07-00013-00	Temperature Tester (Simpson Meter)
07-00013-01	Temperature Test Lead (15 Foot)
07-00013-02	Temperature Test Lead (50 Foot)
07-00013-03	Adapter, Males (Both Ends) (Use with Temperature Tester)
07-00015-00	Case, Carrying (Used with 07-00013-00)
07-00450-00	Wrench, Compressor Sight Glass
07-00437-00	Inspection Light with Mirror
07-00228-00	Volt-Ohmmeter, Digital
07-00229-00	Amprobe Clamp (Used with 07-00228-00)
07-00238-00	Wrench, Service Valve
07-00243-10	Multimeter, Digital (Fluke)
07-00263-00	Pliers, Crimping (Used for compressor terminal block replacement)
07-00264-00	Grip, Wire Vise (Used for compressor terminal block replacement)
07-00277-00	Kit, Static Dissipative (Used for working on electronic components)
07-00304-00	Ground Strap, Wrist (Used for working on electronic components)
07-00294-00	Gauge Set, Manifold - Fahrenheit/PSI
07-00294-05	Gauge Set, Manifold - Centigrade/KPa
07-00295-00	Detector, Leak
07-00397-03	Extractor, Pin (Used on Fan Motor Plugs and Interrogator Plugs)
07-00397-02	Crimper, Pin (Used on Fan Motor Plugs and Interrogator Plugs)
07-00329-00	Extractor, Pin (Used on Controller module connectors)
07-00330-00	Crimper, Pin (Used on Controller module connectors)
07-00370-00	Crimper, Pin (Used on Stepper Valve, HPS)
07-00387-00	Extractor, Pin (Used on Stepper Valve, HPS)
07-00375-00	Tester, Portable, Stepper Motor Drive
07-00391-00	Application Gun (Used with 07-00390-00)
07-00398-00	Software Card Programmer
07-00408-00	Stepper Jumper Assembly
07-00418-00	Torx Driver Bit
07-00409-00	1-1/8", 3/8" Drive, u/o economizer valve
07-00410-00	1-3/8", 3/8" Drive, u/o suction/discharge valve
07-00411-00	2-1/8", 3/8" Drive, u/o SMV
Refer to Manual 62-03213	

PART NUMBER INDEX

Numbers					
		09-00369-00SV	13	14-00215-05	21
		10-00083-05	55	14-00220-01	20, 21
02-00082-00	9	10-00332-21SV	11	14-00221-01	20
04-50027-00	16, 31	10-00366-01SV	11	14-00222-01	23
07-00013-00	64	10-00413-00	33	14-00232-08	23
07-00013-01	64	10-00431-02	11	14-00263-05	33
07-00013-02	64	10-00431-06	10	14-00263-20	33
07-00013-03	64	10-00431-07	10	14-00273-02	33
07-00015-00	64	10-01129-07	11	14-00284-20SV	23
07-00228-00	64	10-01129-10	11	14-00285-00	25
07-00229-00	64	10-01139-04	55	14-00311-02SV	1, 23
07-00238-00	64	10-0298-01	10	14-01032-14	20
07-00243-10	64	12-00275-19SV	15	14-01090-10	23
07-00263-00	64	12-00309-05	49	14-01090-11	23
07-00264-00	64	12-00342-02	35	14-01091-01	23, 25
07-00277-00	64	12-00342-03	35	14-01091-02	23
07-00294-00	64	12-00342-04	35	14-01092-03	21
07-00294-05	64	12-00352-00	49	18-00095-21SV	62
07-00295-00	64	12-00352-07	49	18-00077-41	47, 62
07-00304-00	64	12-00352-07SV	49	18-00095-21SV	47
07-00313-00	1	12-00377-01	59	18-10128-50	47
07-00321-07/2.5	59	12-00395-01SV	24	22-00041-00	1
07-00329-00	64	12-00413-05SV	59	22-00041-02	1
07-00330-00	64	12-00433-00RP	15	22-00066-01	1
07-00345-00	1	12-00433-02RP	15	22-00066-02	1
07-00370-00	64	12-00464-05	45	22-00066-03	1
07-00375-00	64	12-00464-06	45	22-00119-04	1
07-00387-00	64	12-00474-00	55	22-00120-04	1
07-00390-00	9	12-00493-05	19	22-00120-07	1
07-00391-00	9, 64	12-00493-06	33	22-00121-07	1
07-00397-02	64	12-00493-09	33	22-00595-01	1
07-00397-03	64	12-00495-20	20, 21, 33	22-01106-00	1
07-00398-00	64	12-00500-01SV	33	22-01107-00	1
07-00406-00	59	12-00528-00	59	22-01139-04	1
07-00408-00	64	12-00573-00SV	15	22-01140-01	1
07-00418-00	64	12-00594-xx/5315	13	22-01140-02	1
07-00427-00	47, 62	12-01071-01SV	21	22-01140-04	1
07-00437-00	64	12-55006	63	22-01141-01	1
07-00450-00	64	14-00176-04	19	22-01455-03	11
09-00128-00	45	14-00212-03SV	33	22-01551-00	52, 53
09-00128-01	45				

PART NUMBER INDEX

22-01556-00	15	22-01892-00	31	22-50157-00	13
22-01556-01	13	22-01892-01	31	24-00003-00	33
22-01556-02	13	22-01906-00	53	24-00006-02	33
22-01613-14	31, 35, 61	22-01931-00	53	30-00407-02SV	13
22-01613-15	31, 35	22-01932-00	53	34-00373-05	1, 23
22-01613-34	31	22-02188-00	53	34-00373-07	1, 19, 23
22-01614-02	31	22-02232-00	53	34-00373-11	1
22-01614-03	31	22-02322-00	53	34-00373-51	1
22-01614-05	31	22-02324-01	52, 55	34-00373-53	1, 19
22-01621-03	15	22-02324-02	53	34-00373-54	23
22-01621-23	13	22-02324-05	52	34-00373-56	52
22-01622-00	13	22-02336-02	1, 11	34-00373-59	1, 52
22-01622-01	13	22-02336-08	1, 13	34-00373-65	1
22-01622-02	13	22-02336-04	1, 13	34-00373-69	1
22-01660-00	35	22-02341-00	11	34-00373-71	1
22-01660-03	35, 61	22-02341-01	11	34-00373-88	1
22-01660-04	35	22-02368-00	11	34-00616-06	31
22-01660-08	35	22-02375-00	53	34-00655-04	47
22-01679-00	55	22-02378-00	52	34-00655-10	31
22-01679-01	55	22-02392-03	33	34-00655-28	31
22-01679-03	51	22-02393-01	33	34-00662-05	51
22-01713-02	15	22-02394-03	33	34-00662-08	11
22-01713-06	13	22-02396-02	15	34-00662-11	26, 27
22-01713-12	49	22-02396-03	15	34-00663-07	11
22-01731-00	52	22-02398-02	35	34-00663-09	7
22-01731-01	52	22-02398-03	35	34-00663-11	17, 31
22-01734-01	55	22-02401-00	59	34-00665-09	7
22-01737-00	59	22-02412-00	35, 61	34-00667-05	11, 51
22-01737-01	59	22-02412-02	61	34-00667-09	21, 51, 55
22-01737-02	59	22-02413-00	35, 61	34-00667-11	23, 47, 52, 54
22-01743-00	59	22-02418-02	59	34-00667-12	16
22-01744-00	53	22-02420-00	59	34-00667-13	47
22-01777-00SV	13	22-04040-00	47	34-00795-09	7, 45
22-01777-01SV	13	22-4031-00	13	34-00795-17	31
22-01777-03	13	22-4031-01	13	34-00848-10	11
22-01777-04	13	22-4031-02	13	34-00928-01	9, 11
22-01778-00	55	22-50007 Series	1	34-00928-02	9, 37, 39, 41, 43
22-01883-00	53	22-50088-00	31	34-00928-03	37, 39, 41, 43
22-01884-00	53	22-50088-02	16	34-00928-09	29, 37, 39, 41, 43
22-01889-00	11	22-50100-00	13		
22-01891-00	53	22-50127-00	35		

PART NUMBER INDEX

34-01142-01	9, 11	34-06231-01	9	42-00465-00	29
34-01150-03	41, 43	34-06231-03	9	42-00470-00	55
34-01150-04	39	34-06231-04	9	42-00611-00	7
34-01150-06	41, 43	34-06231-05	9		
34-01150-30	39, 41, 43	34-06231-06	9	42-01098-01	45
34-01150-31	41, 43	34-06231-07	9	42-50000-00	21
34-01181-01	16	34-06236-00	47, 62	44-00300-01	7
34-06053-00	7, 6, 19, 23, 25, 26, 27, 29, 45, 47, 54	34-66629-05	11	44-00300-02	7
34-06053-02	16, 47	34-50015-00	9	44-00300-03	7
34-06053-03	16, 17, 45, 51, 52, 54	38-00503-00	16	44-00340-03	51
34-06053-05	7, 23, 45, 47, 51, 54, 55	38-00577-00	31	44-00340-05	51
34-06053-08	51	40-00168-05	23	44-00343-00	9
34-06053-13	45	40-00520-01	23	44-00374-00	17, 45
34-06053-18	29	40-00520-02	19	44-00376-00	39
34-06053-19	27	40-00520-03	19	44-01043-05	1
34-06053-20	47, 62	40-00542-00	19	44-01043-07	1
34-06060-03	47	40-00542-01	19	44-01050-16	33
34-06092-00	29	40-00583-00	19	48-00262-00	31
34-06107-00	7	40-00583-01	19	48-00350-01SV	47, 62
34-06126-08	51	40-00583-03	19	54-00548-00	31
34-06139-03	9	40-00585-00	19	54-00586-20	16
34-06154-00	26, 27	40-00586-00	19	58-00065-67	45
34-06165-09	31	40-01129-00	21	58-00065-70	45
34-06169-00	7, 17, 45	40-50025-00	19	58-00850-01	19
34-06174-03	47	42-00174-38	61	58-00956-00	21
34-06174-04	47	42-00174-44	23	58-00967-00	10
34-06179-00	17, 45	42-00233-01	29	58-01184-00	13, 15
34-06179-04	45	42-00270-02	7	58-04001-01	51
34-06183-00	29	42-00295-00	29	58-04001-02	51
34-06185-01	27	42-00295-01	29	58-04026-07	52, 54
34-06211-01	10	42-00296-00	27	58-04026-10	17
34-06212-10	11	42-00296-01	26, 27	58-04026-17	54
34-06221-00	55	42-00327-00	26, 27	58-04026-22	51, 55
34-06223-00	11, 15	42-00334-00	37, 39, 41, 43	58-04026-26	19, 33
34-06223-01	15	42-00384-01	19, 47, 62	58-04026-33	20
34-06224-01	11	42-00384-02	19, 47, 62	58-04026-34	25
		42-00389-00	23	58-04026-41	17
		42-00390-00	23	58-04066-00	31
		42-00407-00	27	58-04101-00	7

PART NUMBER INDEX

58-04101-07	17, 45	62-02743-18	57	66U1-5331-3	7, 51
58-04145-00	11	62-02743-19	57	66U1-5331-4	23, 25
58-04145-01	11	62-02783-00	27	66U1-5361	16
58-04145-06	10	62-02785-00	56	66U1-5361-11	47, 52, 54
58-04251-00	27	62-02822-01	37, 39	66U1-5361-25	16, 17, 20, 23, 25, 29, 33, 45, 47, 51, 54
58-04260-00	11	62-03957-01	9		
58-04263-01	29	62-10259-00	56		
58-04276-00	24	62-10532-00	57	66U1-5361-47	47
58-04277-00SV	24	62-10532-02	57	66U1-5362-2	27
58-04278-00	24	62-10532-04	57	66U1-5371	23, 25
58-04279-00	24	62-10557-00	5	66U1-5371-10	33
58-04290-00	31	62-10902-02	56	66U1-5371-13	33
58-04346-00	7	62-10902-03	56	66U1-5371-6	21, 23, 33, 51
58-04366-00SV	7	62-10902-04	56		
58-04389-00	7	65-00180-20	25	66U1-5371-7	7, 11, 13 19, 23, 24, 33, 54
58-04435-00	47, 62	66CH1-1002-33	29		
58-04436-00	21	66CH1-1172-16	17	66U1-5371-10	11
58-04451-00	47, 62	66CH1-1172-46	11	66U1-5381-1	52
58-04461-00	47, 62	66U1-2403	9, 37, 39, 51	66U1-5391-2	11
58-04461-01	47, 62	66U1-2403-1	7	66U1-6651-4	11
58-04463-00	47	66U1-2552-185	26, 27	66U1-6782	53
58-04481-00	17	66U1-2583	52	66U1-6782-3	53
58-04668-00	9	66U1-2583-1	53	66U1-6811-12	17
62-02444-01	56	66U1-2603	51, 54	66U1-6811-15	7
62-02458-01	56	66U1-2763-5	21	66U1-6811-8	7, 17, 45
62-02530-01	56	66U1-3442-2	15	66U1-6835	11
62-02531-00	56	66U1-3632-20	19	66U1-6912-16	33
62-02719-00	13	66U1-3803	1, 21, 23, 25	66U1-7842-13	11
62-02721-07	56	66U1-3803-1	1	66U1-7982-2	37, 39
62-02723-00	57	66U1-3882-3	19	66U1-8075	37, 39, 41, 43
62-02723-02	57	66U1-5321-13	27		
62-02723-03	57	66U1-5321-2	23, 25	66U1-8115	27
62-02723-04	57	66U1-5321-3	23, 29, 31, 33	66U1-8662	5
62-02723-06	57			66U1-8912	17
62-02723-10	57	66U1-5321-5	47	66U1-9212-1	15
62-02735-00	13	66U1-5321-6	11	66U1-9752	10, 11
62-02738-04	13	66U1-5321-7	16, 20, 23, 24, 25, 29, 45, 47, 51, 52, 54	66U1-9782	52, 53
62-02738-08	13			66U1-9782-1	53
62-02743-01	57			66U2-1132-1	21
62-02743-10	57	66U1-5321-8	7, 11, 23, 33, 47, 51, 54, 55	66U2-1132-2	23, 25
62-02743-16	57			66U2-1142	21

PART NUMBER INDEX

66U2-1152	21	69NT35-2692-1	17, 23, 29, 31, 33, 45	69NT35-8734-4	31
66U2-1531	55	69NT35-2692-4	23	69NT35-8734-5	31
68-12417-00	4	69NT35-3282	41, 43	69NT35-8734-6	31
68-12434-02	61	69NT35-3547	16	69NT35-9238	29
68-12553-00	61	69NT35-3867	56	69NT40-222	11, 61
68-12658-01	45	69NT35-3907	56	69NT40-507-1	35
68-12757-01	17	69NT35-3987	4	69NT40-567-2	39
68-12757-02	17	69NT35-3997-1	4	69NT40-657-2	4
68-12758-00	47	69NT35-4047	29	69NT40-976-3	29
68-12863-00	23	69NT35-5022-5	45	69NT41-192	61
68-12864-00	23	69NT35-5022-6	7	69NT41-724-4	51
68-12881-00	39	69NT35-5352-1	45	69NT41-782	23, 29
68-12881-01	39	69NT35-5992	51, 54	69NT41-852-1	29
68-12993-00	47	69NT35-6112	16	69NT41-942-3	37, 39
68-13167-00	23	69NT35-6118	56	69NT41-942-4	41
68-13181-00	33	69NT35-6272	9	69NT41-942-5	43
68-13294-00	47	69NT35-6278	11	69NT41-982-3	11
68-13310-00	51	69NT35-6348	31	69NT41-992	35
68-13427-00SV	10	69NT35-6412	52, 54	69NT42-688-7	7
68-13432-02SV	17	69NT35-6412-1	52, 54	69NT42-954-4	21
68-13432-03SV	17	69NT35-6412-2	52, 54	69NT43-124-4	9
68-13475-00	37, 41	69NT35-6522	33	69NT43-125-1	9
68-13475-01	37, 41	69NT35-6532	33	69NT43-175	35
68-13475-08	37, 41	69NT35-6598	43	69NT43-176	35, 61
68-13475-09	37, 41	69NT35-6598-1	43	69NT43-277	23
68-13479-00	23	69NT35-7012	29	69NT43-295	31
68-13577-00	7	69NT35-7662-2	39	69NT43-307	29
68-13784-00	23	69NT35-8032	51	69NT43-374	54
68-13785-00	23	69NT35-8113	4	69NT43-464	37, 39, 41, 43
68-13852-00	21	69NT35-8348	29	69NT43-470	55
68-14085-00	16	69NT35-8382	51, 55	69NT43-470-1	55
69NP20-1031	23	69NT35-8548	4	69NT43-470-2	55
69NT-43-468	1	69NT35-8693-5	17	74-00201-01	27
69NT-46-468-1	1	69NT35-8693-6	17	74-00201-02	27
69NT35-1287-1	29	69NT35-8693-8	17	76-00397-00	1
69NT35-1417	29	69NT35-8693-9	17	76-00667-05	55
69NT35-2257	37	69NT35-8734-12	31	76-00670-01	55
69NT35-2287	9	69NT35-8734-14	31	76-00670-02	55
69NT35-2692	13, 21, 37, 39	69NT35-8734-16	31	76-00670-03	55

PART NUMBER INDEX

76-00670-04	55	79-01697-06SV	26	A	
76-00675-01	33	79-01697-07SV	27	AA06JA170	54
76-00676-00	35	79-01785-00	20	AU11JR171	33, 54
76-00681-01	31	79-01785-01	20		
76-00684-00	35	79-01902-00	27	D	
76-00701-05	45	79-66669-00	11	DE40BA203	23
76-00701-06SV	45	81-01490-00SV	17		
76-00701-10SV	45	81-01539-20	23	E	
76-00701-11SV	45	81-01574-00	33	EC39DM070	49
76-00704-01	17	81-01612-00SV	17		
76-00724-00SV	9	81-01806-01	19	K	
76-00734-00	21	81-01808-01	19	KA66FA138	33
76-50058-00	59	81-01809-01	19		
76-50059-00	59	81-01841-00	33		
76-50075-00	17	86-04405-00	47		
76-50084-00SV	9	86-04406-00	47		
79-01694-00	27				



A member of the United Technologies Corporation family. Stock symbol UTX
©2004 Carrier Corporation • Printed in U. S. A. 12/04



Carrier

A United Technologies Company
Carrier Transicold Division,
Carrier Corporation
Container Products Group
P.O. Box 4805
Syracuse, N.Y. 13221 U.S.A

www.carrier.transicold.com